

PRODUCT INFORMATION

Intended Use

Recessed incandescent housings for 2x6 new construction (LV3) or remodel construction (LV3R). Approved for all ceiling and wiring types.

Construction

LV3: Air-tight, galvanized steel pan with aluminum can and junction box with four built-in ROMEX® clamps and ground wire. Rated for 90°C. Factory-installed captive bar hangers that span up to 24 o.c. and feature stepped

shank nail with integral T-bar locks. Two locking screws hold fixture position. Suitable for ceilings up to 1-1/2" thick.

LV3R: Air-tight aluminum housing with heavy-gauge galvanized steel raceway arm. Remodel clips for installation in existing plaster, sheet rock or mechanical ceilings. Galvanized steel junction box with three built-in ROMEX® clamps and ground wire. Not suitable for pulling wires. Rated for 90°C.

Trims: 30° vertical tilt standard (except 3VS1 pinhole trim).

Electrical

Two-pin porcelain socket with heat shield.

Thermal protection provided against improper insulation usage. Electronic step-down transformer is standard for 120V or 277V. The minimum starting temperature is 0° F, -18°C with short-circuit protection and

meets ANSI/IEEE C62.41 Cat. A transient protection.

Listings

UL Listed to U.S. and Canadian safety standards.

LV3 LV3R



Example: LV3 3VB1 120

ORDERING INFORMATION

Lead times will vary depending on options selected. Consult with your sales representative.

Series	Reflector	Voltage	Options
LV3	Choose reflector below.	120 ¹	PHC Poke-home wire connectors
LV3R	Housing and reflector may be ordered separately.	277 ²	

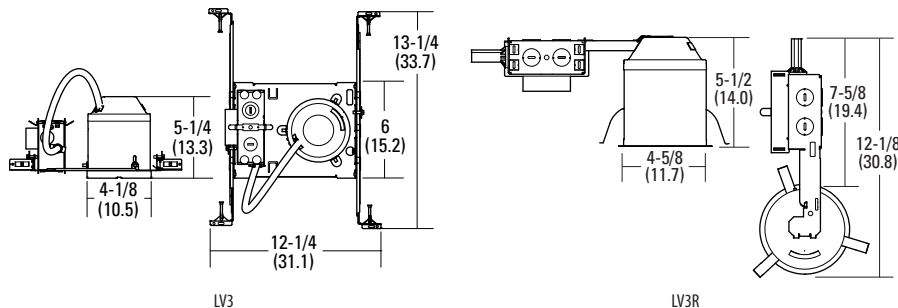
Non-IC Rated Reflectors: Lamp types and maximum wattages are listed for each reflector. White flange standard.

Adjustable cones		Adjustable baffles		Open eyeball		Baffle eyeball		Eyelid wallwash	
3V01AZ	Clear specular	3VB1	Black	3VE1	White	3VE2	Black	3VW1	White
3V01GZ	Gold specular	3VB1W	White			3VE2W	White		
3V01BLZ	Black specular								
<p>Non-IC 50 MR16</p>		<p>Non-IC 50 MR16</p>		<p>Non-IC 50 MR16</p>		<p>Non-IC 50 MR16</p>		<p>Non-IC 50 MR16</p>	
Adjustable wallwash		Shielded slotted		Shielded pinhole					
3VDW1W	White	3VA5	White	3VS1	White				
<p>Non-IC 50 MR16</p>		<p>Non-IC 50 MR16</p>		<p>Non-IC 50 MR16</p>					

ADDITIONAL INFORMATION

For additional product information, visit www.lithonia.com.

Drawings are for dimensional detail only and may not represent actual mechanical configuration. Dimensions are shown in inches (centimeters) unless otherwise noted.



Notes

- 1 Use dimmers designed for electronic transformers.
- 2 Dimming is not available.