

FEATURES & SPECIFICATIONS

INTENDED USE

Intended for unit or row installations, surface or suspended mounting.

ATTRIBUTES

Designed exclusively for use with T8 lamps, electronic ballasts and sockets.

CONSTRUCTION

Standard channel, die formed from Code-gauge steel.

Sturdy Channel cover secured by captive quarter turnlatch for easy access to wireway.

End plate and channel connector furnished with each fixture.

Housing formed from Cold rolled steel.

FINISH

Five Stage iron-phosphate pretreatment ensures superior paint adhesion and rust resistance.

Painted parts finished with high-gloss, baked white polyester.

ELECTRICAL SYSTEM

Thermally-protected, resetting, Class P, UL Listed, CSA Certified ballast is standard.

Available in Tandem wired lengths.

Luminaire is suitable for damp locations. AWM, TFN or THHN wire used throughout, rated for required temperatures.

LISTING

UL Listed to US and Canadian safety standards. Optional: Mexico NOM.

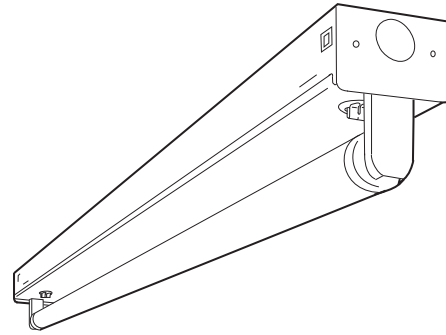
WARRANTY

Guaranteed for one year against mechanical defects in manufacture.

Catalog Number	
Notes	Type

Standard Strip

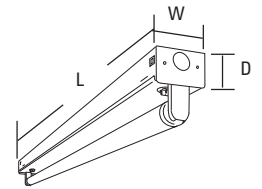
S



Linear Lamp and
Compact Fluorescent
1 Lamp

Specifications

Length:	18 (457), 24 (610) 36 (914), 48 (1219) 72 (1829) or 96 (2438)
Width:	2-3/4 (70)
Depth:	1-3/4 (45)
All dimensions are inches (millimeters).	



ORDERING INFORMATION

For shortest lead times, configure product using **standard options (shown in bold)**.

Example: S 1 32 MVOLT GEB10IS

S	1				
Series	Number of lamps	Lamp type	Voltage	Options	
S Standard strip¹	1 Not included	25 25W T8 (36") CF27 27W TT5 (15") 17 17W T8 (24") 32 32W T8 (48") CF39 39W TT5 (18") CF40 40W TT5 (24") 60T8 40W T8 (60")	120 277 347 MVOLT Others available	GEB10IS T8 electronic ballast, ≤ 10% THD, instant start (T8 only) GEB10RS T8 electronic ballast, ≤ 10% THD, rapid start BILP IS High-efficiency .78 bf (low) GEB Electronic ballasts, ≤20% THD. GLR Internal fast-blow fuse (add X for external) GMF Internal slow-blow fuse (add X for external) CS3 6' cordset, NEMA L5-15P SJT, twist-lock plug, 120V PLF__ Plug in wiring, specify number of branch circuits and hot wires (A-black, B-Red, C-Blue, AB or AC) NOM NOM Certified	
For tandem double-length unit, add prefix T. Example: TS					

Accessories

Order as separate catalog numbers.

SQ_ Swivel-stem hanger (specify length in 2" increments).

1B Ceiling spacer (adjusts from 1-1/2" to 2-1/2" from ceiling).

WGS Wireguard, 4' white, for unshielded S strip.¹

WGSSMR Wireguard, 4' white, for S strip with SSMR reflector.¹

WGSASR Wireguard, 4' white, for S strip with SASR reflector.¹

SSMR 48WH Symmetric reflector, 4' white.¹

SASR 48WH Asymmetric reflector, 4' white.¹

S48WG Wireguard, 4' white, Canada only

SSMRCF 24WH Symmetric reflector, 2' white.*

SASRCF 24WH Asymmetric reflector, 2' white.*

TSASRCF 24WH Asymmetric reflector, 2' white, for TS 1 CF18.*

*Other lengths available. Replace **24** in catalog number with length in inches. Other finishes available. Replace **WH** in catalog number with **SSR** or other finish.

NOTES:

1 Order two for 8' fixtures.

S Strip, Rapid Start

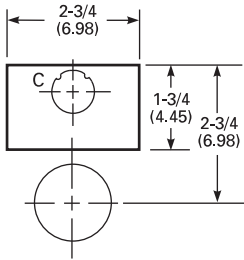
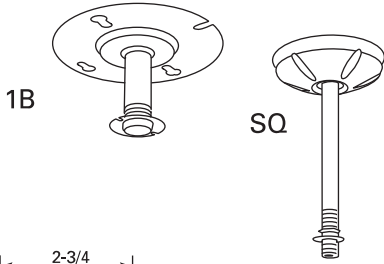
MOUNTING DATA

For unit or row installation, surface or stem mounting.

Unit installation — Minimum of two hangers required.

Row installation — One hanger per channel plus one per row required.

See ACCESSORIES below for hanging devices.

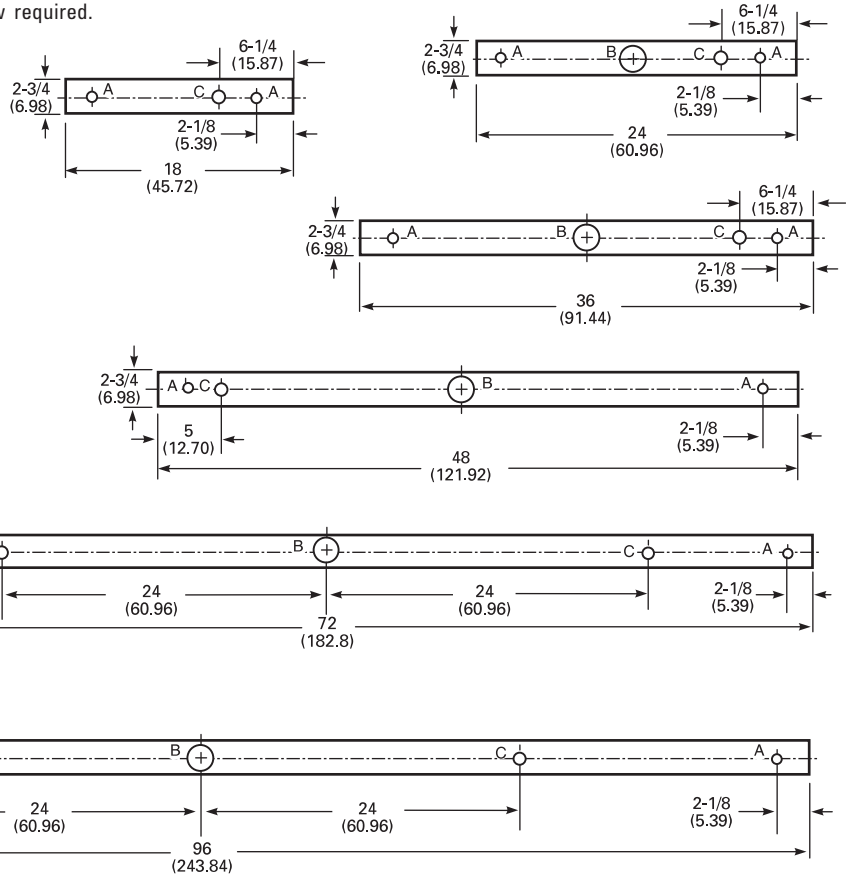


A = 11/16 (1.74) Dia. K.O.

B = 2 (5.08) Dia. K.O.

C = 7/8 (2.22) Dia. K.O.

DIMENSIONS



PHOTOMETRICS

Calculated using the zonal cavity method in accordance with IESNA LM41 procedure. Floor reflectances are 20%. Lamp configurations shown are typical. Full photometric data on these and other configurations available upon request.

S 132

Report LTL 5725

S/MH (along) 1.2 (across) 1.6

Coefficient of Utilization

Ceiling	80%			70%			50%		
	70%	50%	30%	70%	50%	30%	50%	30%	10%
1	97	91	86	92	87	82	79	75	72
2	87	77	70	82	74	67	67	61	56
3	78	67	58	74	64	56	58	52	46
4	71	59	50	67	56	48	51	44	38
5	65	51	42	61	49	41	45	37	32
10	43	30	22	41	28	21	26	20	15

Zonal Lumens Summary

Zone	Lumens	%Lamp	%Fixture
0-30	388	13.4	13.9
0-40	660	22.8	23.7
0-60	1307	45.1	46.9
0-90	2176	75.0	78.1
90-180	609	21.0	21.9
0-180	2786	96.1	100.0

Energy (Calculated in accordance with NEMA standard LE-5)

LER.FL	ANNUAL ENERGY COST*	LAMP DESCRIPTION	LAMP LUMENS	BALLAST FACTOR	INPUT WATTS
94.7	\$2.53	(1) F3278/735	2800	.88	25

* Comparative yearly lighting energy cost per 1000 lumens



An AcuityBrands Company