



6" VERTICAL CFL DOWNLIGHT

Project: _____

Fixture Type: _____

Location: _____

Contact/Phone: _____

OPEN APERTURE

One 26W Quad

CV6-126Q-600C

PRODUCT SPECIFICATIONS

Lamp One 26W quad compact fluorescent lamp CFQ26W/G24q-3 • 4 pin electronic.

Socket Housing Vented, extruded aluminum housing with heat dissipating fins • Single-position, keyed reflector attachment.

Ballast 120V thru 277V HPF Electronic with end-of-life lamp protection • 347V HPF Electronic available in Canada • Optional Dimming ballast available • U.L. listed/CSA certified.

Reflector .050" aluminum reflector with low iridescent clear Alzak® finish • Other finishes including wheat, straw, haze and pewter available on special order basis.

Trim Ring White Polycarbonate.

Labels U.L. listed for through branch wiring and damp locations • Union made • CSA certified.

Testing All reports are based on published industry procedures; field performance may differ from laboratory performance.

Product specifications subject to change without notice.

INSTALLATION

Mounting Bracket Rough-in section equipped with vertically adjustable mounting brackets (up to 3") that accept ½" conduit or "C" channels (HB-26 or HB-50), linear flat bars (LB-27) or Real Nail® 3 bar hangers (HB-1).

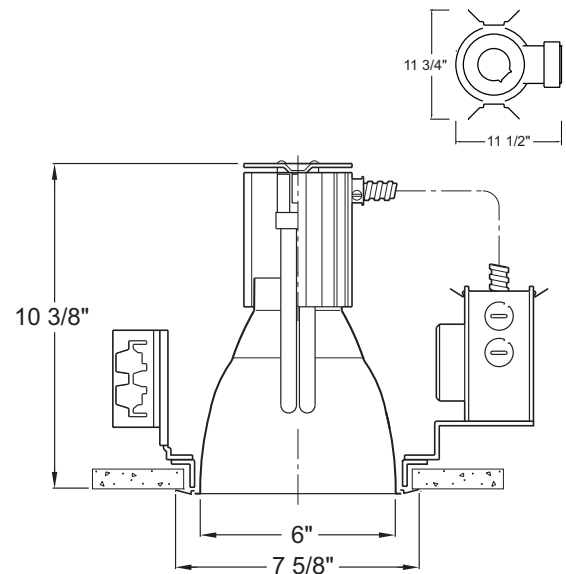
Junction Box Pre-wired junction box provided with (5)½" and (1)¾" knockouts, U.L. listed/CSA certified for through branch wiring, maximum 8 No. 12 AWG 90° C branch circuit conductors (4 in, 4 out) • Junction box provided with removable access plates • Knockouts equipped with pryout slots.

Mounting Frame 16-gauge galvanized steel mounting ring with factory installed reflector mounting clips • Rough-in section (junction box, mounting frame and socket assembly) fully assembled for ease of installation • Accommodates 7/8" ceiling thickness maximum.

PRODUCT CODES

Catalog Number	Reflector Finish	Ballast	Wattage and Lamp
CV6-126Q-600C-WH	Low Iridescent Clear Alzak	HPF 120V - 277V, Elect.	26W Quad CFL

DIMENSIONS



6 7/8" CEILING CUTOUT

ENGINEERING DATA

	120V-HPF	277V-HPF	347V-HPF Canada
Total input power	27W	27W	25W
Operating AMPS	.22A	.10A	.10A
Power Factor	>.98	>.98	>.98
T.H.D.	<10%	<10%	<10%
Min. starting temperature	-5°F/ -20°C	-5°F/ -20°C	14°F/ -10°C
Crest Factor	<1.5	<1.5	<1.45
Ballast Factor	1.0	1.0	.97

ACCESSORIES

Catalog No.	Description
HB-26	Two 26" C-channel bar hangers
HB-50	Two 50" C-channel bar hangers
HB-1	Two 13½" - 25" Real Nail® 3 bar hangers
LB-27	Two 27" linear bar hangers
PLK-E	13-42W emerg. power kit (Elect. Ballast)

To order, specify catalog number.

OPTIONS

(Add as suffix to housing or trim)

Catalog No.	Description
347	347V, HPF Electronic Ballast
DB120	120V Dimming Ballast
DB277	277V Dimming Ballast

Ordering Example: CV6-126Q-**347**-600C-WH

PHOTOMETRIC REPORT

Test Report #: PT03991702
Catalog No: CV6-126Q-600C-WH
Total Luminaire Efficiency: 45.7%
Luminaire Spacing Criterion: 0.8
Luminaire: Recessed Clear Alzak Reflector Downlight
Lamp: One 26W Quad Tube CFL lamp rated @ 1825 lumens

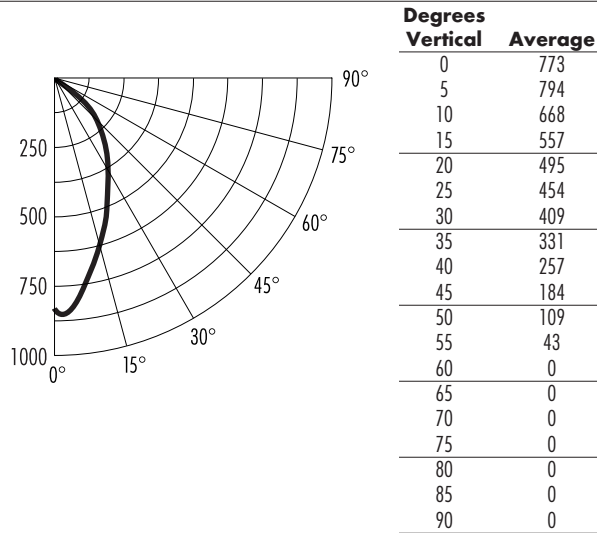
6" VERTICAL CFL DOWNLIGHT

OPEN APERTURE

One 26W Quad

CV6-126Q-600C

CANDLEPOWER DISTRIBUTION (Candelas)



LUMINANCE (Average cd/m²)

Degrees	Average Luminance
45	14,262
55	4,062
65	0
75	0
85	0

ZONAL LUMEN SUMMARY

Zone	Lumens	%Lamp	%Fixture
0-30°	444	24.3	53.2
0-40°	652	35.7	78.1
0-60°	832	45.6	99.7
0-90°	834	45.7	100
90-180°	0	0	0
0-180°	834	45.7	100

COEFFICIENTS OF UTILIZATION –% (Zonal Cavity Method) Effective Floor Cavity Reflectance 20% (ρ_{fc})

RCR	ρ _{cc} ρ _w	80		70		50		30		10		0					
		50	30	10	50	30	10	50	30	10	50	30	10	0			
0		54	54	54	53	53	53	51	51	51	49	49	49	47	47	47	46
1		50	49	48	49	48	47	47	46	46	46	45	44	44	43	43	42
2		46	44	42	45	43	42	44	42	41	42	41	40	41	40	39	38
3		42	40	38	42	39	37	41	39	37	39	38	36	38	37	36	35
4		39	36	34	39	36	34	38	35	33	37	35	33	36	34	33	32
5		36	33	31	36	33	31	35	32	30	34	32	30	33	31	30	29
6		33	30	28	33	30	28	32	30	28	32	29	28	31	29	27	27
7		31	28	26	31	28	26	30	27	26	29	27	25	29	27	25	25
8		29	26	24	29	26	24	28	25	24	28	25	23	27	25	23	23
9		27	24	22	27	24	22	26	24	22	26	23	22	25	23	22	21
10		25	22	20	25	22	20	25	22	20	24	22	20	24	22	20	19

ρ_{cc} – Ceiling Cavity Reflectance (%) ρ_w – Wall Reflectance (%)

INITIAL FOOTCANDLES

One Unit, 26 Watt, 60.8° Beam

Footcandles Beam Edge	Footcandles Beam Center	Beam Diameter	Distance to Illuminated Plane (Feet)
6.9	21.5	7.0'	6
3.9	12.1	9.4'	8
2.5	7.7	11.7'	10
1.7	5.4	14.1'	12
1.3	3.9	16.4'	14
1.0	3.0	18.8'	16
0.8	2.4	21.1'	18
0.6	1.9	23.5'	20

(Beam Edge defined as 50% of Maximum Nadir Candlepower)

AVERAGE INITIAL FOOTCANDLES

Multiple Units (Square Array)

Spacing	RCR1	RCR4	RCR8
5.0'	37	28	21
6.0'	25	20	15
7.0'	19	15	11
8.0'	14	11	8
9.0'	11	9	7
10.0'	9	7	5
12.0'	6	5	4

