

Catalog Number
Notes
Type

## FEATURES & SPECIFICATIONS

**INTENDED USE** — Intended for low to medium mounting heights where dust, dirt, humidity or moisture are present. Ideal for canopies, dock areas, wastewater treatment, refrigerated areas, food processing and other non-hazardous environments. Certain airborne contaminants can diminish integrity of acrylic. **Click here for Acrylic Environmental Compatibility table for suitable uses.**

**CONSTRUCTION** — Constructed to comply with New York City electrical code. Made in USA.

Housing formed from impact resistant, UV stabilized, fiberglass reinforced polyester with cold-rolled steel enclosed wireway. Poured in place, gasketing provides a seal between housing and diffuser. Captive, corrosion-resistant cam-action latches secure the diffuser; six on 4' units, and ten on 8' units. Stainless steel latches available.

**FINISH** — Painted parts pretreated with a five-stage iron-phosphate process to ensure superior paint adhesion and corrosion resistance, then finished with a high-gloss, baked white enamel.

**OPTICS** — High-impact acrylic diffuser with a stippled interior surface to spread lamp image. **PLEASE NOTE:** The standard 4' diffuser is 2-1/4" deep, and the standard 8' or 48T8HO diffuser is 3" deep. To order the 4' diffuser so that it matches the depth of the 8' diffuser, order the ARDP option. The 8' diffuser is not available in the 2-1/4" depth.

**ELECTRICAL** — Thermally protected, resetting, Class P, HPF, non-PCB, UL Listed and CSA Certified ballast is standard. AWM, TFN, THHN wire throughout, rated for required temperatures.

AWM, TFN, THHN wire throughout, rated for required temperatures.

**INSTALLATION** — For unit or row installations, surface (ceiling or wall) or suspended mounting. Wall mounting; horizontal orientation only for use in damp locations. Stainless steel surface spring-mounting brackets standard (2 included).

**LISTING** — 120V, 277V and MVOLT are UL Listed and CSA Certified (standard). 347V is CSA Certified (see Options). NOM certified (see options). Listed for 25°C ambient and wet locations for covered-ceiling applications. IP65 rated. Optional IP67 rating available (supplied with 8 latches on 4' units and 14 latches for 8' units; covered ceiling not required). Compliance to FDA/USDA requirements and/or NSF splash-zone certification.

**WARRANTY** — 1-year limited warranty. Complete warranty terms located at [www.acuitybrands.com/CustomerResources/Terms\\_and\\_conditions.aspx](http://www.acuitybrands.com/CustomerResources/Terms_and_conditions.aspx)

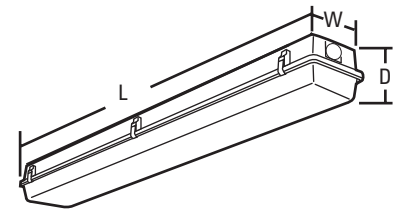
Actual performance may differ as a result of end-user environment and application.

Note: Specifications subject to change without notice.

### Enclosed and Gasketed Industrial

# DMW NY3

**INSTANT PROGRAMMED AND RAPID START**  
4' or 8' length  
2 lamps



#### Specifications

Length:	50 (127.0)
	98 (248.9)
Width:	8-1/8 (20.6)
Fixture Depth:	5-5/8 (14.3)

All dimensions are inches (centimeters) unless otherwise indicated.

### ORDERING INFORMATION

Lead times will vary depending on options selected. Consult with your sales representative.

**Example:** DMW 2 32 MVOLT GEB10IS NY3

DMW	Number of lamps	Lamp type	Diffuser	Voltage	Ballast	Options
DMW Wet location	1	28T5 28W T5 (48")	(blank) 2 1/4" deep high-impact acrylic (50% DR)	120	GEB10IS T8 electronic ballast, ≤10% THD, instant start	ELDW Emergency battery pack (nominal 300 lumens) <sup>1</sup>
For tandem double-length unit, add prefix T. Example: TDMW	2	32 32W T8 (48")	3" deep high-impact acrylic (50% DR)	277	GEB10PS T5 and T8 electronic ballasts, ≤10% THD, programmed start	EL5DW Emergency battery pack (nominal 500 lumens) <sup>1</sup>
	Not included.	54T5HO 54W T5HO (46")	ARDP	MVOLT others available	GEB10PS90 T5HO 90° case temperature ballast, ≤10% THD, programmed start	EL6DW Emergency battery pack (nominal 600 lumens) <sup>1</sup>
						EL14DW Emergency battery pack (nominal 1400 lumens) <sup>1</sup>
						NY3 I.B.E.W. Local 3 union made, NYC code compliant

Accessories: Order as separate catalog number.	
BCD	Bracket for hanger chain mounting. Two per package <sup>2</sup>
HC36	Chain hangers (1 pair, 36" long); Requires BCD
WLF	Wet location fittings (1 pair, not installed)

#### NOTES:

- Available 120V or 277V only.
- For stainless steel, specify **STS** (ex: BCD STS).

# DMW NY3 Instant Start, Program Rapid Start & Programmed Start

## MOUNTING DATA

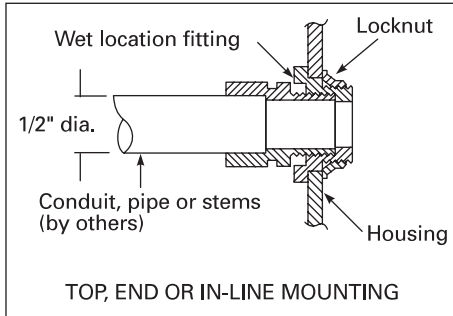
For unit or row installation, surface (ceiling or wall) or suspended mounting.

DMW — Drill holes through housing and channel at appropriate locations. Includes gasketed wet location fittings on ends for power feeding/mounting. Fitting is threaded for 1/2" rigid conduit (optional WLF for top mounting). Attach to surface using fasteners and sealing washers (by others) appropriate to ceiling materials.

Unit installation — Minimum of two hangers required.

Row installation — Minimum of two hangers required. Recommend 1/2" nipple with union (by others).

See ACCESSORIES on page 1 for hanging devices.



## DIMENSIONS

Inches (millimeters). Subject to change without notice.

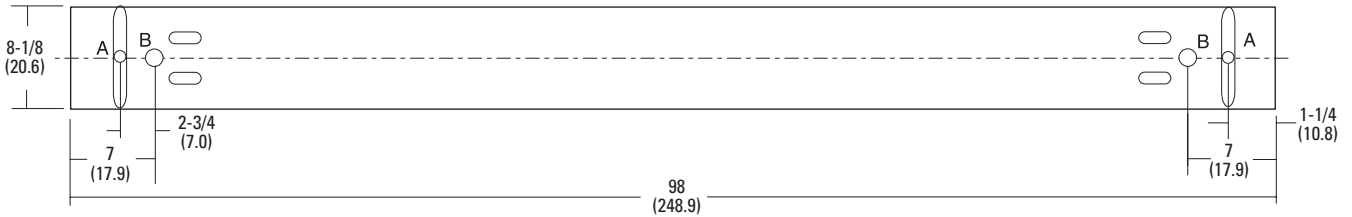
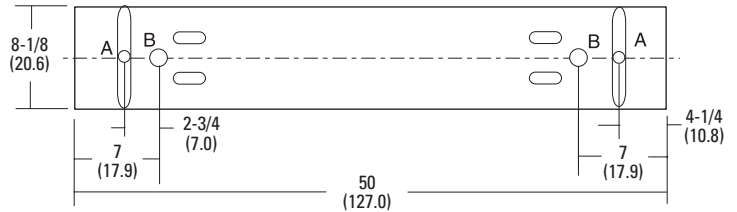
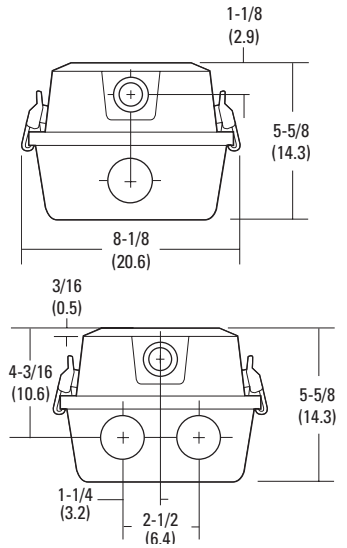
A = 11/16 (17) Dia.

B = 1-1/8 (29) Dia.

Recommended mounting locations (field drilling required)

\*8' fixtures are 5-5/8" deep

4' fixtures are 4-5/8" deep



## PHOTOMETRICS

See [www.lithonia.com](http://www.lithonia.com)