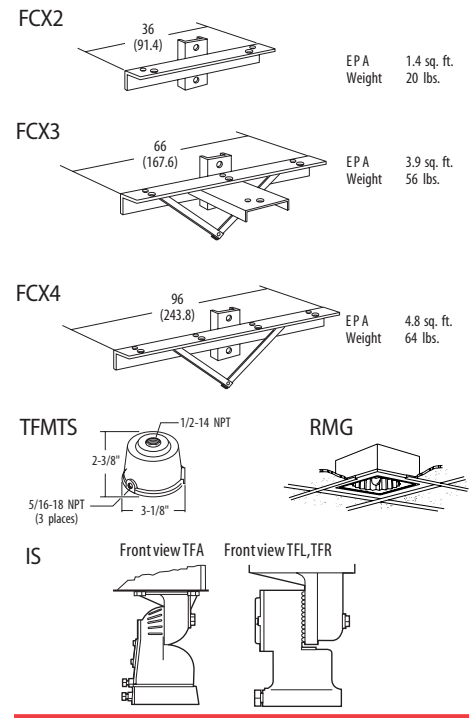
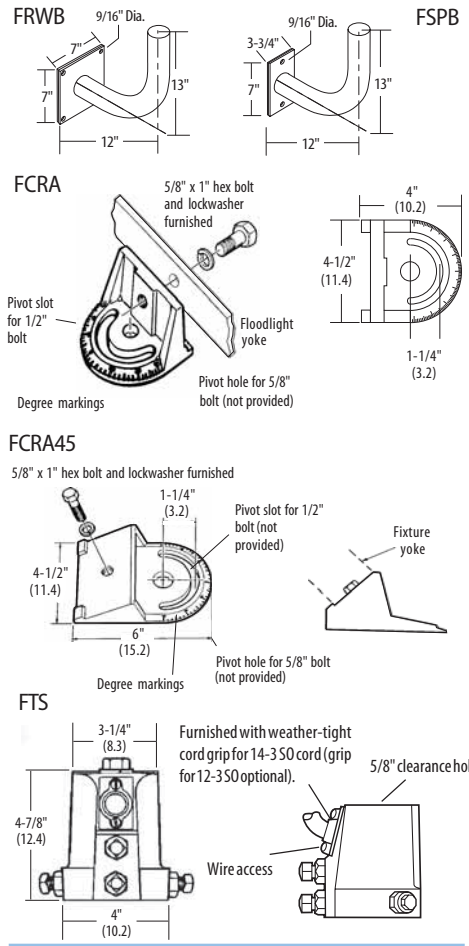


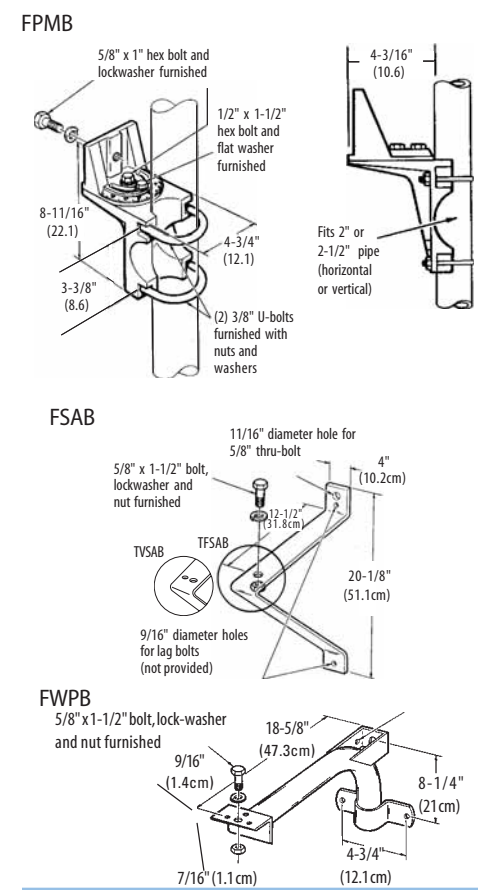
		Garage		Sports		Floodlighting											
		PGR	KPS	KACM	TSP	TV	ASF	KFL	55	95	170S	TFA	TFR	TFL	TFM	TSL	
HS	House side shield (glare shield).	■															
BDS	Bird deterrent shroud.	□															
OJB	Offset junction box.	□															
RMG	Recessed mount in grid ceiling.		■														
SS	Stainless steel ceiling mount housing (alloy 304 stainless steel).		■														
AH	Above horizontal aiming.					■											
CF	Charcoal filter; must use with heavy-duty shroud.				■	■											■
FCRA¹	Crossarm adapter for horizontal mounting (use with yoke mount only).				□		□	□	□	□	□	□	□	□	□	□	□
FCRA45¹	Crossarm adapter for horizontal mounting 45° (use with yoke mount only).				■ ²		□	□	□	□	□	□	□	□	□	□	□
SLR	Stainless steel lens rings.				■	■											
IBL	Internal bottom lower; cannot order IBL and TVUV together.					■											
FRWB¹	Radius wall bracket; 2-3/8 diameter (use with slipfitter mount only). Standard finish is DDB.				□		□	□	□	□	□	□	□	□	□	□	□
FSAB¹	Steel angle bracket (use with yoke mount only). Standard finish is DDB.				□		□	□	□	□	□	□	□	□	□	□	□
FSPB¹	Steel square pole bracket (for use with existing poles). 2-3/8" diameter (use with slipfitter mount only). Standard finish is DDB.				□		□	□	□	□	□	□	□	□	□	□	□
FPMB¹	Pipe/wood/pole/wall mounting bracket. Mounts to 2" schedule 40 pipe (use with yoke mount only).				□		□	□	□	□	□	□	□	□	□	□	□
FWPB¹	Wall bracket (pipe) (use with yoke mount only).				□		□	□	□	□	□	□	□	□	□	□	□
FTS¹	Tenon slipfitter; fits 2-3/8" to 2-7/8" OD tenon (use with yoke mount only).				□		□	□	□	□	□	□	□	□	□	□	□
TVTS¹	Tenon slipfitter; fits 2-3/8" to 2-7/8" OD tenon.				□	□											
TFMST¹	Tenon slipfitter for 1/2" threaded knuckle; fits 1-1/4" to 2-3/8" OD tenon.									□						□	
TVUV	Upper visor; cannot be used with IBL.																
FCX2¹	2-light wood pole crossarm (use with yoke mount only).				□		□	□	□	□	□	□	□	□	□	□	□
FCX3¹	3-light wood pole crossarm (use with yoke mount only).				□		□	□	□	□	□	□	□	□	□	□	□
FCX4¹	4-light wood pole crossarm (use with yoke mount only).				□		□	□	□	□	□	□	□	□	□	□	□
TVWC¹	Wood crossarm mount bolt 5/8" - 11UNC, 8" length.				□	□											
YK	Yoke mount, painted.	■	■	■			■	■	■	■	■	■	■	■	■	■	■
GYK	Yoke mount, galvanized.																■
EY	Extended yoke.																■
THK	Threaded knuckle mount.									■							
IS	Integral slipfitter; fits 2-7/8" max. OD with TFA, 2-3/8" with TFL and TFR.																■



lightquick^{XD}
Express delivery products.
See page 11 for details about LightQuick XD.

Description
FTS U

NOTES:
1 Order as separate catalog number.
2 Ships standard with TSP. Order as separate catalog number for other families.



Packaging

Because Lithonia's downlighting housings and trims are packaged and shipped as separate components (*except steplights, which are shipped as complete fixtures*), they usually are ordered as separate line items. However, housing and trim descriptions may be combined on a single line item.

ORDERED AS SEPARATE LINE ITEMS:			ORDERED AS ONE LINE ITEM:		
Line	Qty.	Catalog No.	Line	Qty.	Catalog No.
1	15	L5	1	15	L5 5B2
2	15	5B2	2	3	LV3 3VB1
3	3	LV3			
4	3	3VB1			

Regardless of ordering method, components will be shipped in optimized packaging:

Master, resale or job pack configurations, if available, with unit packs are used to fill odd lot quantities. To over-ride packaging optimization, items may be ordered specifying the "U" packaging suffix. Specifying unit packaging or ordering quantities that are not even-numbered multiples of available master/job pack configurations may result in higher pricing.

Line	Qty.	Catalog No.*	Description
1	12	L5 M6	2 master cartons containing 6 housings each
2	3	L5 U	3 unit cartons containing 1 housing each
3	12	5B2 M6	2 master cartons containing 6 trims each
4	3	5B2 U	3 unit cartons containing 1 trim each
5	3	LV3	3 unit cartons containing 1 housing
6	3	3VB1	3 unit cartons containing 1 trim each

*Various suffixes are used (after the product description) to indicate packaging configurations.

M followed by a number indicates a master pack of that number of items per shipping carton. Master-packed items are UPC-labeled and packaged appropriately for individual resale, but not for reshipment.

R followed by a number indicates a resale pack of that number of items per shipping carton. Resale-packed items are UPC-labeled and packaged appropriately for individual resale, but not for reshipment.

J followed by a number indicates a job pack of that number of items per shipping carton. Job packed items are not UPC-labeled for individual sale.