

| | |
|----------------|------|
| Catalog Number | |
| Notes | Type |

FEATURES & SPECIFICATIONS

INTENDED USE

Recessed housing rated IC or Non-IC. For remodel construction only.
 Approved for factory assembled wiring only.
 Approved for direct burial in insulation.

CONSTRUCTION

Self flanged aluminum housing.
 Four remodel clips for installation in existing plaster, sheet rock or mechanical ceiling.
 Heavy-gauge galvanized steel raceway arm.
 Galvanized steel junction box with four built in romex clamps. Seven 1/2" knockouts with slots for pryout. Not suitable for pulling wires.
 Rated for 90°C supply wire.
 Ground wire provided.
 Removable J-box doors for easy access.

ELECTRICAL SYSTEM

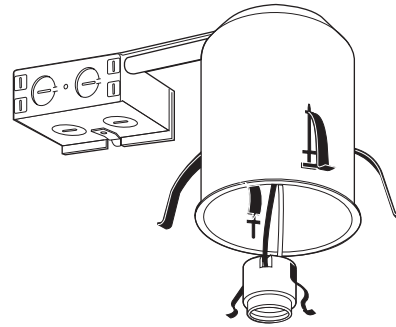
Durable medium base porcelain socket with nickel plated copper alloy screw shell and contact.
 Socket clips to top of housing to prevent paint overspray in socket screw shell.
 Socket attaches to reflector to ensure proper and consistent lamp position.
 Thermal protection provided against improper lamp usage.
 120 volt only.

INSTALLATION

2 x 8 existing ceiling or T-bar ceiling panel installation.
 Clip adjustment on housing (up to 1-1/4") allows for flush mounting with ceiling face.
 Ceiling cutout 4-3/16".
LISTING
 UL listed to US and Canadian safety standards.
 Damp location listed.
 See trim selection for wet location listed.

3" Housing

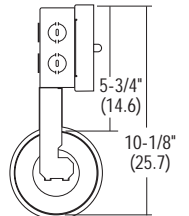
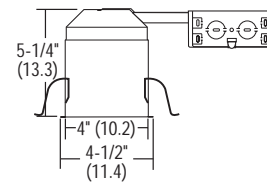
L3R



INCANDESCENT
 IC/Non-IC
 Remodel Construction

Specifications

Height: 5-1/4" (13.3)
 Length: 10-1/8" (25.7)
 Width: 4-1/2" (11.4)



All dimensions are inches (centimeters).

ORDERING INFORMATION

Choose the boldface catalog nomenclature that best suits your needs and write it on the appropriate line. Order accessories as separate catalog number.

Example: **L3R AT**

| | |
|------------|---|
| L3R | |
| Series | Options |
| L3R | (Shipped installed in fixture) AT Aluminum tape seals housing to minimize air flow through rough-in. Complies with WSEC and certified per ASTM E283 requirements. CSA CSA Certified. PHC Poke-home wire connectors. |

Accessories:

Order as separate catalog number.

ATK3 Airtight kit

NOTE:

See trim summary on reverse side for maximum wattages.

3" Incandescent



Intended Use

Recessed Remodelor rated **IC and Non-IC** for **Remodel** applications. Approved for all wiring types and all ceiling types, including air-handling plenums.

Features

Approved for direct burial in insulation and Non-IC applications. One-piece aluminum self-flanged can provides maximum structural integrity.

J-box has built-in Romex clamps, ground wire, and snap on/off door for easy wiring. Not for pulling wires.

One-piece, heavy-gauge, galvanized steel raceway arm/J-box fit easily through ceiling opening.

Suitable for ceilings up to 1/2" thick. Four factory-installed remodel clips lock housing in place and automatically adjust for ceiling thickness.

Socket clips to reflector to ensure proper and consistent lamp position. Damp location listed. (See trim selection for wet location listed trims.) UL listed (standard). CSA Certified (see options).

Ordering Information

Example: **L3R AT**

| Series | Options |
|------------|---|
| L3R | AT Aluminum tape seals housing to minimize air-flow through rough-in. Complies with WSEC and ASTM E283 requirements. |
| | CSA CSA Certified. |
| | PHC Poke-home wire connectors. |

Note: White trims are self-flanged. Black trims have a white plastic trim ring.

IMPORTANT: Housings and trims are packaged and shipped as separate components. For details on ordering and packaging options, see page 272.

Full Reflectors — All trims are damp location listed. WETlite™ is listed for wet locations. Lamp types and maximum wattages are listed for each trim.

| Open | | | Baffle | | |
|----------------|--|---|----------------|---------------------------------------|---|
| Shallow | | | Shallow | | |
| | 301 White 301A Clear Diffuse 301G Gold Diffuse 301AZ Clear Specular 301GZ Gold Specular 301BLZ Black Specular | | | 3B1 Black 3B1W White | |
| | IC 30 R20 35 PAR20 | Non-IC 75 R20 50 PAR20 60 PAR16 | | IC 30 R20 35 PAR20 | Non-IC 75 R20 50 PAR20 60 PAR16 |

| | | | | | |
|-------------|--|--|-------------|---|--|
| Deep | | | Deep | | |
| | 302 White 302A Clear Diffuse 302G Gold Diffuse 302AZ Clear Specular 302GZ Gold Specular 302BLZ Black Specular | | | 3B2 Black 3B2W White | |
| | Non-IC 40 A19 75 R20 50 PAR20 60 PAR16 | | | Non-IC 75 R20 50 PAR20 60 PAR16 | |

* Diffuse and Specular finishes only

| Stepped Open | | | Eyeball | | |
|----------------|---|--|----------------|---|---|
| Shallow | | | Shallow | | |
| | 3HP1 White 3HP1PB Polished Brass | | | 3E1 White 3E1PB Polished Brass | |
| | IC/Non-IC 75 PAR30 (short neck) | | | IC 50 R20 35 PAR20 40 PAR16 | Non-IC 75 R20 50 PAR20 75 PAR16 |

| Deep | | | Pinhole | | |
|-------------|--|--|----------------|---|--|
| Deep | | | Pinhole | | |
| | 3HP2 White 3HP2PB Polished Brass | | | 3S1 White | |
| | IC/Non-IC 50 PAR30 65 BR30 (long neck) | | | Non-IC 50 R20 35 PAR20 60 PAR16 | |

| WETlite™ | | | Wallwash | | |
|-----------------|---|--|-----------------|---|--|
| WETlite™ | | | Wallwash | | |
| | 3H20 White 3H20PB Polished Brass 3H20PC Polished Chrome 3H20CP Polished Copper | | | 3W1 White | |
| | Non-IC 75 PAR 30 (Ships with outdoor rated 75W PAR30 lamp) | | | Non-IC 50 R20 35 PAR20 40 PAR16 | |

