

Catalog Number
Notes
Type

## FEATURES & SPECIFICATIONS

**INTENDED USE** — For applications that require the clean appearance of a low-profile, brightness-controlled wraparound. Provides broad distribution of light for offices, schools and corridors. **Certain airborne contaminants can diminish integrity of acrylic.** [Click here for Acrylic Environmental Compatibility table for suitable uses.](#)

**Attributes:** Linear side prisms control brightness, pyramidal bottom prisms minimize lamp image. Diffuser hinges open from either side for easy maintenance. Full depth, white enamel end plates.

**CONSTRUCTION** — Die-formed from code gauge cold-rolled steel. Channel cover snaps into place without the use of tools. Full end cap factory installed to reduce job site labor. Diffuser is extruded clear acrylic.

**Finish:** Five-stage iron-phosphate pretreatment ensures superior paint adhesion and rust resistance. Finished with high-gloss, baked white enamel.

**ELECTRICAL** — Thermally protected, resetting, Class P, HPF, UL listed, CSA Certified ballast is standard. Energy saving and electronic ballasts are sound rated A.

Luminaire is suitable for damp locations. AWM, TFN or THHN wire used throughout, rated for required temperatures.

**INSTALLATION** — For surface or stem mounting, individual or row installation.

**LISTINGS** — UL Listed (standard). Optional: CSA or cUL. Mexico NOM.

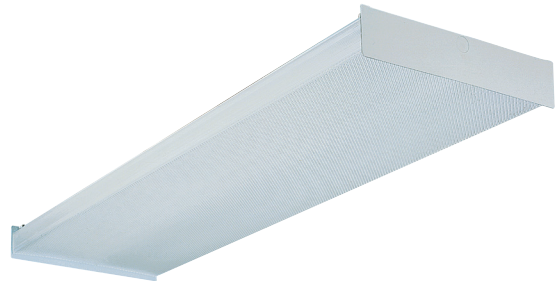
**WARRANTY** — 1-year limited warranty. Complete warranty terms located at [www.acuitybrands.com/CustomerResources/Terms\\_and\\_conditions.aspx](http://www.acuitybrands.com/CustomerResources/Terms_and_conditions.aspx)

Note: Specifications subject to change without notice.

### Square-Basket Wraparound

# SB

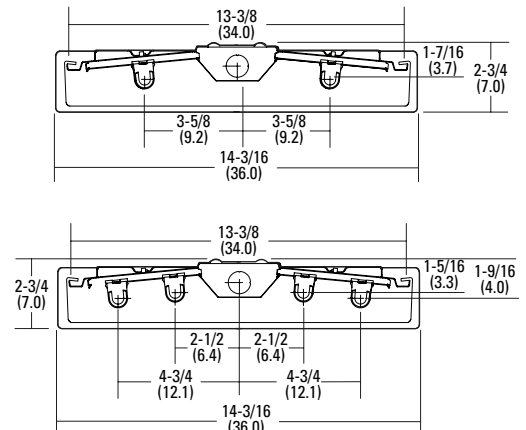
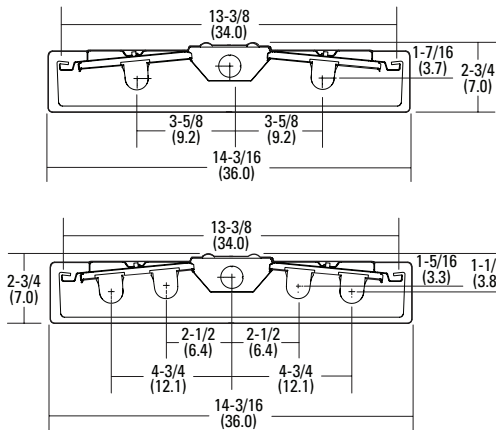
T5 and T8  
WIDE BODY  
4' length  
2 or 4 lamps



#### Specifications

- T8 Length: 48 (121.9)
- T5 Length: 46-1/2 (118.1)
- Width: 14-3/16 (36.0)
- Height: 2-3/4 (7.0)

All dimensions are inches (centimeters) unless otherwise indicated.



### ORDERING INFORMATION

For shortest lead times, configure product using **standard options (shown in bold)**.

**Example:** SB 4 32 MVOLT GEB10IS

Series	Number of lamps	Lamp type	Voltage	Options
<b>SB</b>	4 lamps, 14-3/16" wide	<b>32</b> 32W T8 (48")	120	1/4 One 4-lamp ballast (32W, electronic ballast only)
<b>2SB</b>	2 lamps, 14-3/16" wide	28T5 28W T5 (46-1/2")	277	<b>GEB10IS</b> T8 Electronic ballast, ≤10% THD, instant start
		54T5HO 54W T5HO (46-1/2") <sup>1</sup>	347	<b>GEB10PS</b> Electronic ballast, ≤10% THD, programmed start
			<b>MVOLT</b> <sup>2</sup>	<b>EL</b> Emergency battery pack (nominal 300 lumens, see Life Safety Section)
			Others available.	<b>EL14</b> Emergency battery pack (nominal 1200 lumens, see Life Safety Section)
				<b>GLR</b> Internal fast-blow fuse <sup>3</sup>
				<b>GMF</b> Internal slow-blow fuse <sup>3</sup>
				<b>RE</b> 120V residential electronic ballast <sup>4</sup>
				<b>CSA</b> Listed and labeled to comply with Canadian Standards
				<b>NOM</b> NOM certified
				<b>SSR</b> Specular silver interior finish (95% reflective)

**Accessories:** Order as separate catalog number.

- SQ\_ Swivel-stem hanger (specify in 2" increments).
- 1B Ceiling spacer (adjusts from 1-1/2" to 2-1/2" from ceiling).

#### Notes

- T5HO only available in two-lamp configuration.
- Electronic ballast 120 through 277V only.
- Must specify voltage, 120V or 277V.
- Must specify voltage, 120V.

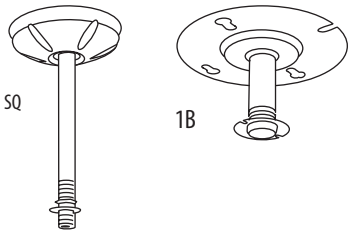
# SB Square Basket Wraparound, Wide Body

## MOUNTING DATA

For unit or row installation. Surface or stem mounting.

UNIT INSTALLATION — Minimum of two hangers required.

ROW INSTALLATION — One hanger per fixture plus one per row required.



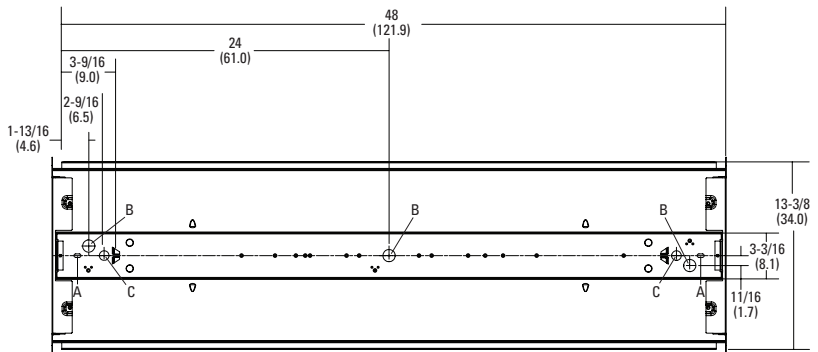
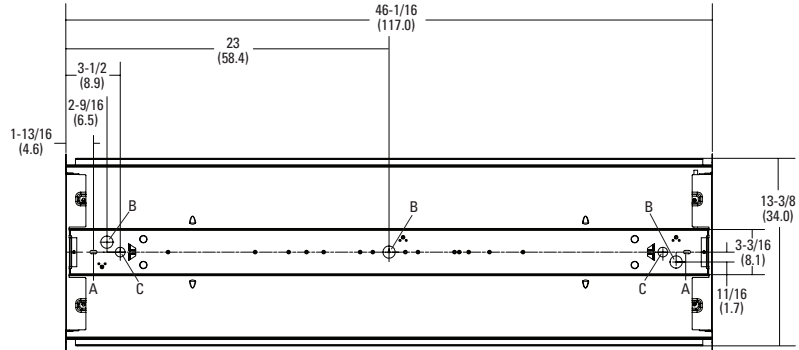
A = 1/4 x 1/2 (.635 x 1.27) Oval Hole

B = 7/8 (2.22) Dia. K.O.

C = 11/16 (1.74) Dia. K.O.

## DIMENSIONS

All dimensions are inches (centimeters) unless otherwise indicated. Specifications subject to change without notice.



## PHOTOMETRICS

Calculated using the zonal cavity method in accordance with IESNA LM41 procedure. Floor reflectances are 20%. Lamp configurations shown are typical. All data based on 25°C. Full photometric data on these and other configurations available upon request.

### SB 4 32

Report LTL 5659 – Lumens per lamp = 2900

S/MH (along) 1.2 (across) 1.3

### Coefficient of Utilization

Ceiling	80%			70%			50%			0%
Wall	70%	50%	30%	70%	50%	30%	50%	30%	10%	0%
0	83	83	83	81	81	81	76	76	76	65
1	77	73	71	74	71	69	67	65	63	55
2	70	65	61	68	63	59	60	56	54	48
3	65	58	53	63	56	52	54	49	46	41
4	60	52	46	58	51	45	48	44	40	36
5	55	46	40	53	45	40	43	38	34	31
6	51	42	36	49	41	35	39	34	30	27
7	47	38	32	45	37	31	35	30	27	24
8	43	34	28	42	33	28	32	27	23	21
9	40	30	25	38	30	24	28	24	20	18
10	37	28	22	36	27	22	26	21	18	16

### Zonal Lumens Summary

Zone	Lumens	%Lamp	%Fixture
0-30	2289	19.7	27.7
0-40	3753	32.4	45.4
0-60	6182	53.3	74.7
0-90	7541	65.0	91.1
90-180	733	6.3	8.9
0-180	8275	71.3	100.0