

AccuLite™

MSL SERIES

LED MINI SECURITY LIGHT 300 LUMENS

Project: _____

Fixture Type: _____

Location: _____

Contact/Phone: _____

Cat. No.: _____

PRODUCT DESCRIPTION

The MSL Series LED Security Light is a small and unobtrusive luminaire designed to replace small incandescent and CFL fixtures. With a shallow profile, the MSL blends in seamlessly with both architecture and nature. The wide light pattern makes this fixture a great choice for commercial and residential applications where an economical LED security light is needed. The MSL Security Light is recommended for mounting heights of up to 8 feet, for installations above doors, balconies, garage and warehouse entrances, and other applications traditionally lighted with incandescent and CFL fixtures. The MSL Series is rated for outdoor or indoor use.

PRODUCT SPECIFICATIONS

Optics The MSL Series has a white reflector that is recessed to improve visual comfort. A clear lens acts as an environmental seal, protecting the LED from rain, snow and dust.

Dark Sky Compliance The MSL Series is compliant with most Dark Sky ordinances.

Construction A die cast aluminum housing is sturdy and attractive. Powder coating seals and protects the fixture from the elements • The clear lens is made of acrylic that has a strong resistance to UV rays – ideal for outdoor environments.

Thermal Management The LED light source is secured to the aluminum housing that acts as a heat sink • The driver is also mounted directly to the housing to help keep the electronics cool and ensure 100,000 hour L70 performance.

Electrical The LED driver is suitable for 120-240VAC 50/60 Hz • An optional daylight sensor is available for 120VAC only.

Daylight Sensors The MSL Series can be ordered with an optional daylight sensor for automatic dusk to dawn operation • Option "PC" is a factory installed, button style photo sensor mounted on the front of the fixture for 120VAC operation. For other voltages consult factory

Mounting Mounts directly to a junction box • The back plate includes knockouts to fit most junction boxes • The installation process takes less than 5 minutes, with a single screw securing the housing to the back plate • Alternatively, the MSL Series has a provision for rear entry of 1/2" conduit.

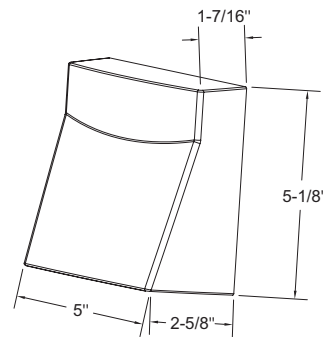
Finish Polyester powder coating protects the housing • Available in bronze or white finishes.

Certifications Meets UL1598 and CSA C22.2-250 standards • Suitable for wet locations • Compliant with most Dark Sky ordinances.

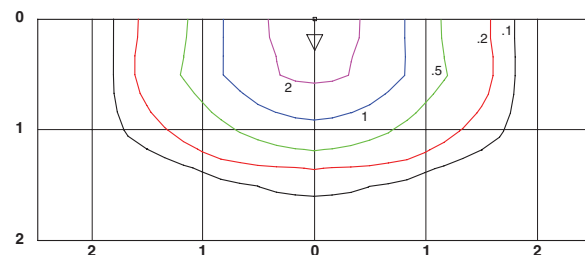


Shown with daylight sensor

DIMENSIONS



PHOTOMETRY



Mounting Height	Multiplier
10'	0.5
8'	0.8
7'	1.0
6'	1.3
5'	2.0

Distance shown as multiples of mounting height. Illumination values shown in footcandles at 7' mounting height.

Total Delivered Lumens = 306

PRODUCT CODES

Catalog Number	Description	Input Volts	CCT	Delivered Lumens	Input Watts
MSL135K12BZ	LED Mini Security Light, bronze	120-240VAC	3500K	306	6W
MSL135K12WH	LED Mini Security Light, white	120-240VAC	3500K	306	6W
MSL135K12BZPC	LED Mini Security Light with daylight sensor, bronze	120VAC*	3500K	306	6W
MSL135K12WHPC	LED Mini Security Light with daylight sensor, white	120VAC*	3500K	306	6W

*For other voltages consult factory

1300 S. Wolf Road • Des Plaines, IL 60018 • Phone (847) 827-9880 • Fax (847) 827-2925
 220 Chrysler Drive • Brampton, Ontario • Canada L6S 6B6 • Phone (905) 792-7335 • Fax (905) 792-0064
 Visit us at www.junolightinggroup.com Specifications are subject to change with out notice