

Catalog Number
Notes
Type

FEATURES & SPECIFICATIONS

INTENDED USE — Our recessed LED module is the most economical means to create a well lit environment with exceptional energy efficiency and near zero maintenance. The LED module maintains at least 70% light output for 35,000 hours.

CONSTRUCTION — Two-piece, die-cast heat sink for optimal thermal management.

E26 socket adapter and hardwire kit ships standard. This enables easy installation or permanent conversion to an LED source for Title 24 compliance.

Twin torsion springs ensure easy installation.

OPTICS — Lower white baffle splay recesses optical system into the ceiling to prevent glare and provide a traditional look.

Utilizes 3000 K color temperature LEDs.

ELECTRICAL SYSTEM — High-efficiency driver mounted on the module. Primary power disconnect provided for simple connection to a dedicated LED connector in the housing.

Dimming down to 15%. For compatible dimmers, refer to [Compatible Dimmers Chart](#).

Standard input wattage is 13 watts, 46 lumens per watt; equivalent to 65-watt incandescent.

INSTALLATION — Suitable for installation in standard-height rough-in sections. For compatible housings, refer to [Compatible Housings Chart](#).

LISTINGS — CSA certified to US and Canadian safety standards. ENERGY STAR® qualified; California T24 compliant. Damp location listed. WSEC ASTM E283 for Air-Tight (with IC housings).

WARRANTY — Five-year limited warranty. Full warranty terms located at:

www.acuitybrands.com/CustomerResources/Terms_and_conditions.aspx.

Note: Specifications subject to change without notice.

LED Recessed Downlighting

5BL

5" LED Module

IC/Non-IC
New Construction/Remodel/Retrofit



E26 Adapter



Hardwire Kit

Specifications

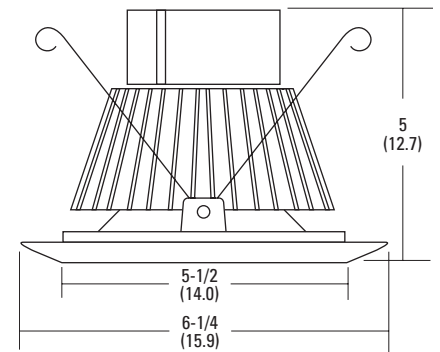
Aperture: 5" (12.7)

Ceiling opening: 5-1/2" (14)

Overlap trim: 6-1/4" (15.9)

Height: 5" (12.7)

All dimensions are inches (centimeters).



ORDERING INFORMATION

For shortest lead times, configure products using **bolded options**.

Example: 5BLMW LED

SBL		MW		LED					
Series/Reflector	Finish	Lamps/Lumens		Color temperature		Voltage			
5BL 5" baffle LED module	MW Matte white	LED	600 lumens	(blank) 3000 K		(blank) 120V			

To order with housing:

ORDERING INFORMATION

For shortest lead times, configure products using **bolded options**.

Example: L5 5BLMW LED U

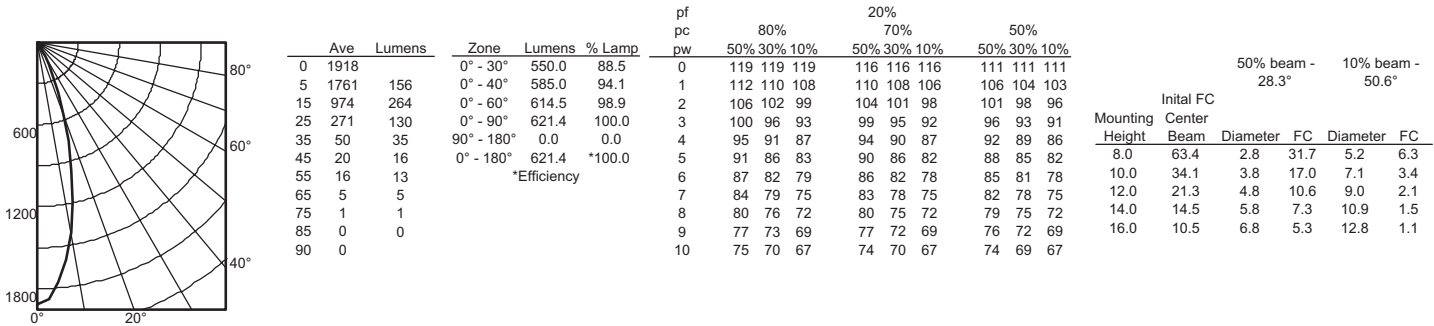
		5BLMW LED					
Series	Reflector	Options		Packaging			
L5 New construction rough-in L5R Remodel rough-in	5BLMW LED	PHC	Poke-home wire connectors	R6 Resale pack of six U Unit (non-stock)			

L Series 5" LED Module - ENERGY STAR®

PHOTOMETRICS

Distribution Curve	Distribution Data	Output Data	Coefficient of Utilization	Illuminance Data at 30" Above Floor for a Single Luminaire
--------------------	-------------------	-------------	----------------------------	--

5BLMW LED, 3000 K LEDs, 600 delivered lumens, 13.0 input watts (45 lpw), test no. LTL20619, tested in accordance with IESNA LM 79-08



ENERGY DATA

ENERGY DATA*	
Lumens	600
Min. starting temp	-18°C (0°F)
EMI/RFI	FCC Title 47 CFR, Part 15, Class B
Sound rating	Class A standards
Input voltage	120V
Min. power factor	0.80
Input frequency	50/60 Hz
Rated wattage	13W
Input power	13W
Input current	0.14A

*Values at non-dimming line voltage.

Lithonia Lighting

lighting facts®

A Program of the U.S. DOE

Light Output (Lumens)
600

Watts
13

Lumens per Watt (Efficacy)
46

Color Accuracy
83

Color Rendering Index (CRI)

Light Color
3000 (Bright White)

Correlated Color Temperature (CCT)

2700K
3000K
4500K
6500K

All results are according to IESNA LM-79-2008: *Approved Method for the Electrical and Photometric Testing of Solid-State Lighting*. The U.S. Department of Energy (DOE) verifies product test data and results.

Visit www.lightingfacts.com for the **Label Reference Guide**.

Registration Number: 5CTH-8Z4SCY (1/26/2012)
Model Number: 5BLMW LED
Type: Recessed downlight

Notes

- Actual wattage may differ by +/- 13% when operating at 120V +/- 10%.

LITHONIA LIGHTING®
An Acuity Brands Company

5BL-LED

DOWNLIGHTING One Lithonia Way Conyers, GA 30012 Phone: 800.315-4935 Fax: 770.918.1209 www.lithonia.com

© 2012 Acuity Brands, Inc. All rights reserved. Rev. 04/17/12