

FEATURES & SPECIFICATIONS

INTENDED USE — Ideal one-for-one replacement of conventional lighting systems such as HID and fluorescent. Applications include manufacturing, warehousing and other large indoor spaces with mounting heights ranging from 10'-20' to the bottom of the luminaire. Luminaire shall be suspended mount only. Surface mounting is not permitted. **Certain airborne contaminants can diminish integrity of acrylic.** [Click here for Acrylic Environmental Compatibility table for suitable uses.](#)

CONSTRUCTION — Die-formed aluminum alloy chassis with integrated fins for superior cooling through natural convection. The channel is made of heavy-duty code gauge (20-gauge) steel, which is powder coated after fabrication. The assembly is rigidly designed to resist twisting and bowing. Access plate on the back of the channel housing allows quick and easy wiring.

OPTICS — Medium distribution to meet both horizontal and vertical light level requirements. Reflectors are precision formed and painted high reflectance white. Semi-diffuse lens is standard to provide glare control and LED protection.

ELECTRICAL — L70 at 50,000 hours; predicted life of more than 100,000 hours. Thermally protected driver standard with 0-10V dimming. Input wattage is 145W at 277VAC, and 149W at 120VAC.

INSTALLATION — Suitable for suspension by chain, cable or single pendant monopoint. To maintain ambient listing, fixture must be mounted at a minimum of 24 inches below ceiling.

LISTINGS — CSA Certified to U.S. and Canadian safety standards. Damp location listed. Ambient operating temperatures from -20°C to +40°C. Design Lights Consortium (DLC) listed for high bay and low bay fixture for commercial and industrial building.

WARRANTY — 5-year limited warranty. Complete warranty terms located at www.acuitybrands.com/CustomerResources/Terms_and_conditions.aspx. Actual performance may differ as a result of end-user environment and application.

Actual wattage may differ by +/- 1% when operating between 120-277V +/- 10%.

Note: Specifications subject to change without notice.

Catalog Number
Notes
Type

Contractor Select

LED Bay Lighting

DESIGNLIGHTS
CONSORTIUM

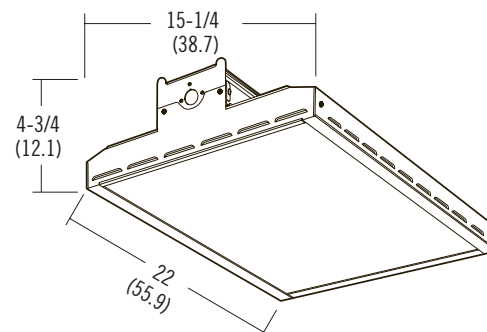


Specifications					
All dimensions are shown in inches (centimeters) unless otherwise noted.					
Lumens	Length	Width	Depth	Weight	Recommended light source comparison
11,200	22 (55.9)	15-1/4 (38.7)	4-3/4 (12.1)	10 lbs. (4.5 kg)	250W MH, 3-lamp T5HO, 4-lamp T8

ORDERING INFORMATION

Catalog number	UPC	Description	Lumens	Color temperature	Wattage	Voltage	Distribution	Pallet quantity	Standard carton quantity
IBH 11L MVOLT	753573864332	LED Bay Light	11,200	4000K, 70CRI	149 - 145	120 - 277	Medium	48	1
IBH 11L HVOLT	753573868699	LED Bay Light	11,200	4000K, 70CRI	151 - 150	347 - 480	Medium	48	1
IBH 11L MVOLT WGX	820476163296	LED Bay Light with Wire Guard	11,200	4000K, 70CRI	149 - 145	120 - 277	Medium	48	1
IBH 11L HVOLT WGX	820476163302	LED Bay Light with Wire Guard	11,200	4000K, 70CRI	151 - 150	347 - 480	Medium	48	1
IBH 11L MVOLT CS93W	820476163319	LED Bay Light with 6' SO White Cord, No Plug	11,200	4000K, 70CRI	149 - 145	120 - 277	Medium	48	1
IBH 11L HVOLT CS93W	820476163326	LED Bay Light with 6' SO White Cord, No Plug	11,200	4000K, 70CRI	151 - 150	347 - 480	Medium	48	1
IBH 11L 120/277 MSID	820476163517	LED Bay Light with Aisle Motion Sensor Pre-Wired for HI/LO Dimming	11,200	4000K, 70CRI	149/145	120/277	Medium	48	1
IBH 11L 347 MSID	820476163531	LED Bay Light with Aisle Motion Sensor Pre-Wired for HI/LO Dimming	11,200	4000K, 70CRI	151	347	Medium	48	1
IBH 11L 120/277 MS1360D	820476163524	LED Bay Light with 360° Motion Sensor Pre-Wired for HI/LO Dimming	11,200	4000K, 70CRI	149/145	120/277	Medium	48	1
IBH 11L 347 MS1360D	820476163562	LED Bay Light with 360° Motion Sensor Pre-Wired for HI/LO Dimming	11,200	4000K, 70CRI	151	347	Medium	48	1

Accessories: Order as separate catalog number.	
Mounting	
IBAC120 M20	Aircraft cable 10' with hook (one pair)
IBAC240 M20	Aircraft cable 20' with hook (one pair)
IBLPMP	Pendant monopoint splice box, includes side covers
IBLPMPHB	Pendant monopoint splice box, includes side covers (3/4" hub)
HC36	Chain hangers (1 Pair, 36" long)
Wire guards	
WGIBH	Standard wire guard



All dimensions are inches (centimeters) unless otherwise indicated.