

Catalog Number
Notes
Type

## FEATURES & SPECIFICATIONS

### INTENDED USE

Provides years of maintenance-free illumination for outdoor use in residential & commercial applications. Ideal for applications such as lighting walkways and stairways.

### CONSTRUCTION

Cast-aluminum housing with corrosion-resistant paint in either dark bronze or white finish.

ADA compliant.

### OPTICS

4000K CCT LEDs.

Polycarbonate lens protects the LED from moisture, dirt and other contaminants.

**LUMEN MAINTENANCE:** The LED will deliver 70% of its initial lumens at 50,000 hour average LED life. See Lighting Facts label on page 2 for performance details.

### ELECTRICAL

MVOLT driver operates on any line voltage from 120-277V.

Operating temperature -30°C to 40°C.

1KV surge protection standard.

### INSTALLATION

Surface mount to universal junction box (provided by others).

### LISTINGS

UL Listed to U.S. and Canadian safety standards for wet locations.

Tested in accordance with IESNA LM-79 and LM-80 standards.

### WARRANTY

Five-year limited warranty.

Full warranty terms located at [www.AcuityBrands.com/CustomerResources/Terms\\_and\\_Conditions.aspx](http://www.AcuityBrands.com/CustomerResources/Terms_and_Conditions.aspx).

Note: Specifications are subject to change without notice.

Actual performance may differ as a result of end-user environment and application.

Outdoor General Purpose

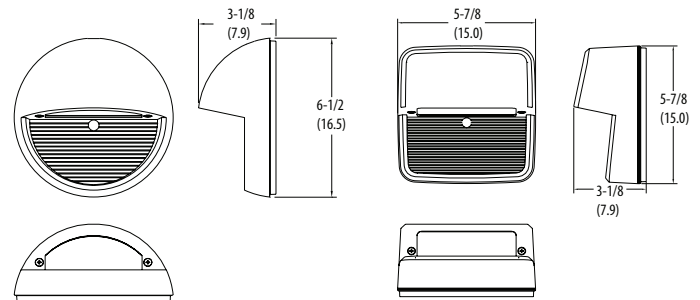
# OLSR & OLSS

LED STEP LIGHT



### Specifications

All dimensions are inches (centimeters)



### ORDERING INFORMATION

Lead times will vary depending on options selected. Consult with your sales representative.

**Example:** OLSS DDB

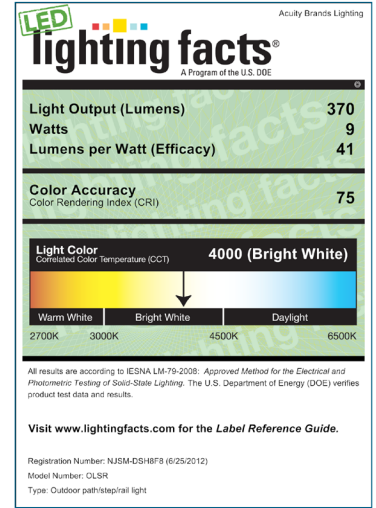
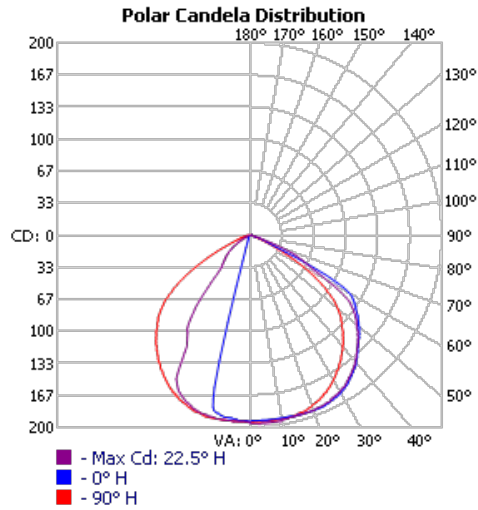
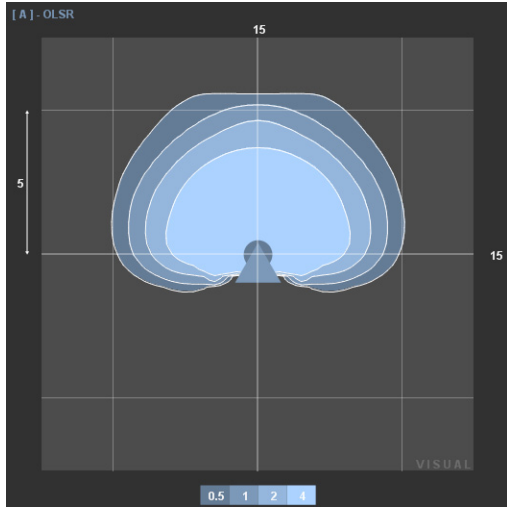
Series	Color temperature (CCT)	Voltage	Finish
OLSR Step light round	(blank) 4000K	(blank) MVOLT (120V-277V)	DDB Dark bronze
OLSS Step light square			WH White

# OLSR & OLSS LED Step Light

## PHOTOMETRICS

To see complete photometric reports or download .ies files for this product, visit Lithonia Lighting's Outdoor LED homepage  
 Tested in accordance with IESNA LM-79 and LM-80 standards.

## OLSR



## OLSS

