

Gotham Architectural Downlighting
LED Downlights

4" Evo®
Open Reflector

Solid-State Lighting



FEATURES

OPTICAL SYSTEM

- Self-flanged semi-specular, matte-diffuse or specular lower reflector
- Patented Bounding Ray™ optical design (U.S. Patent No. 5,800,050)
- 45° cutoff to source and source image
- Top-down flash characteristic

MECHANICAL SYSTEM

- 16-gauge galvanized steel construction; maximum 1-1/2" ceiling thickness
- Telescopic mounting bars maximum of 32" and minimum of 15", preinstalled, 4" vertical adjustment
- Toolless adjustments post installation
- Junction box capacity: 8 (4 in, 4 out) 12AWG rated for 90°C
- Light engine and driver accessible through aperture

ELECTRICAL SYSTEM

- Fully serviceable and upgradeable lensed LED light engine
- 70% lumen maintenance at 60,000 hours based on IESNA LM-79-2008
- 120-277VAC, 50/60hz power supply with 0-10V dimming (10-100%); rated for 50,000-hour life
- Overload and short circuit protected
- LEDs tested under LM80

LISTINGS

- Fixtures are CSA certified to meet US and Canadian standards; wet location, covered ceiling

WARRANTY

- 5-year limited warranty. Complete warranty terms located at: www.acuitybrands.com/CustomerResources/Terms_and_conditions.aspx

ORDERING INFORMATION

EXAMPLE: EVO 35/10 4AR 120

Series	Color temperature	Nominal lumen values	Aperture/Trim color	Distribution	Finish	Voltage
EVO	27/ 2700 K	06 600 lumens	4AR Clear	(blank) 1.0 s/mh	(blank) Semi-specular	120
	30/ 3000 K	10 1000 lumens	4PR Pewter	MD Medium (0.8 s/mh)	LD Matte diffuse	277
	35/ 3500 K	14 1400 lumens	4WTR Wheat	WD Wide (1.5 s/mh)	LS Specular	347
	41/ 4100 K	18 1800 lumens	4GR Gold			
		20 2000 lumens	4WR¹ White			

Driver	Options
(blank) ² 0-10V dimming driver. Minimum dimming level 10%	SF Single fuse
ECOS2^{3,4} Lutron® Hi-Lume® 2-wire forward-phase dimming driver. Minimum dimming level 1%	RRL RELOC®-ready luminaire. Provides compatibility with Lithonia RELOC system. Access above ceiling required.
ECOS3^{2,3} Lutron® Hi-Lume® 3-wire or EcoSystem® dimming driver. Minimum dimming level 1%	NEPP Interface for Sensor Switch® nLight® network with integral power supply. Refer to TN-623-01 .
	NSD⁵ Sensor Switch® nLight® dimming relay
	TRW⁶ White painted flange
	TRBL Black painted flange
	EL⁷ Emergency battery pack with integral test switch
	ELR⁷ Emergency battery pack with remote test switch
	CP⁸ Chicago plenum
	BGTD Bodine generator transfer device

ACCESSORIES order as separate catalog numbers (shipped separately)

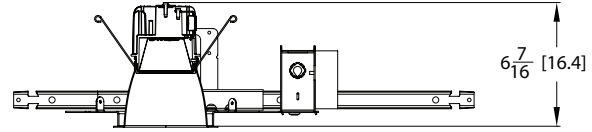
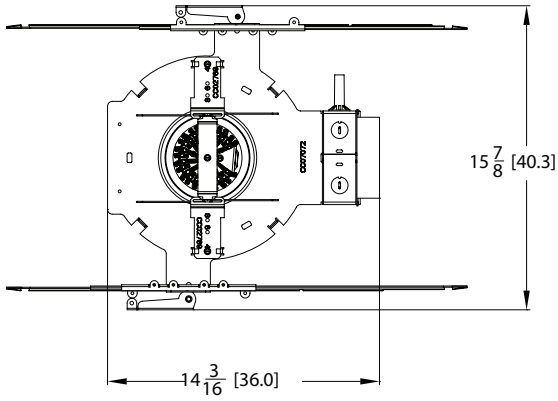
SCA4	Sloped ceiling adapter. Degree of slope must be specified (10D, 15D, 20D, 25D, 30D). Ex: SCA4 10D. Refer to TECH-190 .
CTA4-8 YK	Ceiling thickness adapter (extends mounting frame to accommodate ceiling thickness up to 2").
ISD BC	0-10V wallbox dimmer. Refer to ISD-BC .

NOTES

ORDERING NOTES	
1. Not available with finishes.	6. Not available with white reflector.
2. Refer to TECH-240 for compatible dimmers.	7. For dimensional changes, refer to TECH-140 . Access above ceiling required. Not available with CP option.
3. Not available with NEPP option.	8. Not available with EL or ELR options.
4. 120V only.	
5. One 5A relay with one 0-10 VDC dimming output, shipped installed. Refer to nSP5-D .	

DIMENSIONAL DATA

All dimensions are inches (centimeters) unless otherwise noted.



Aperture: 4-5/16 (11)
 Ceiling Opening: 5-1/8 (13)
 Overlap Trim: 5-7/16 (13.8)

ELECTRICAL

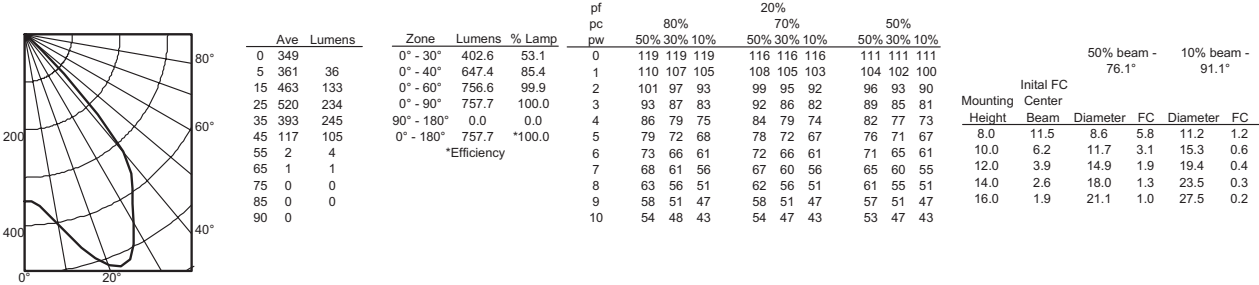
WATTAGE CONSUMPTION MATRIX

LUMENS	WATTAGE	LUMENS per WATT
2000	31	65
1800	29	58
1400	26	55
1000	21	51
600	16	49

Distribution Curve Distribution Data Output Data Coefficient of Utilization Illuminance: Single Luminaire 30" Above Floor

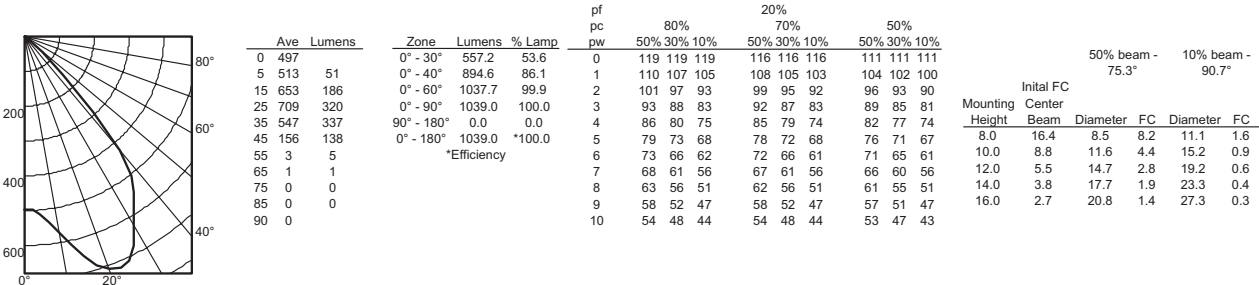
EVO 35/6 4AR LS

INPUT WATTS: 15.6, DELIVERED LUMENS: 757.7, LM/W=48.6, 1.6 S/MH, TEST NO. LTL21260



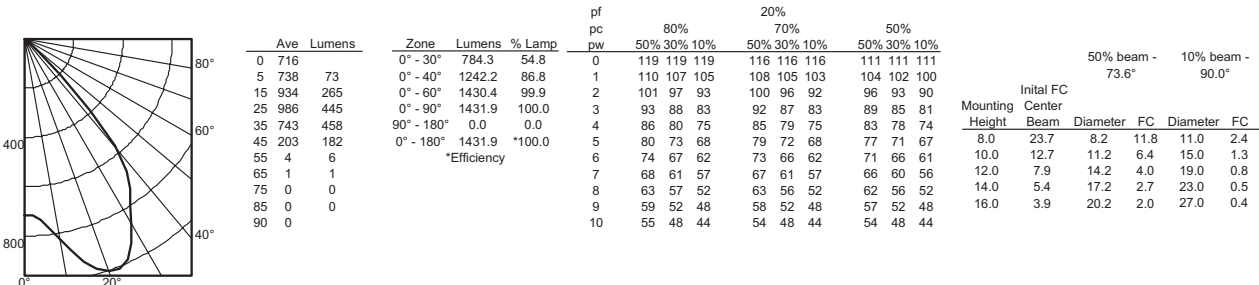
EVO 35/10 4AR LS

INPUT WATTS: 20.6, DELIVERED LUMENS: 1039.0, LM/W=50.4, 1.5 S/MH, TEST NO. LTL21209



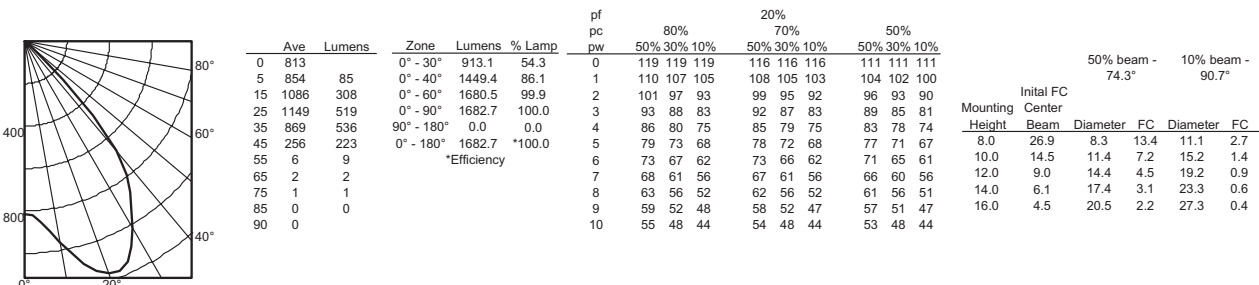
EVO 35/14 4AR LS

INPUT WATTS: 26.2, DELIVERED LUMENS: 1431.9, LM/W=54.7, 1.5 S/MH, TEST NO. LTL21213



EVO 35/18 4AR LS

INPUT WATTS: 29.0, DELIVERED LUMENS: 1682.7, LM/W=58.0, 1.5 S/MH, TEST NO. LTL21149



PHOTOMETRY NOTES

- Tested in accordance with IESNA LM-79-08.
- Tested to current IES and NEMA standards under stabilized laboratory conditions.
- Actual performance may differ as a result of end-user environment and application.
- Actual wattage may differ by +/- 10% when operating between 120-277V +/- 10%.
- CRI: 83 typical.
- Consult factory or IES file for microgroove baffle, black cone or other photometric reports.