

**Intended Use**

Use in high mounting heights that require high efficiencies, horizontal illumination and high vertical illumination. Ideal for manufacturing and warehouse aisles where color is critical.

**Construction**

Housing: Rugged, heavy-duty, die-cast aluminum with white polyester powder finish. Electrical components horizontally opposed and heat-sunk to ballast housing for cooler operation. Integral splice box mounting flange ensures structural integrity.

**Optics**

Self-cleaning ventilated design carries contaminants through the top of the reflector.

A14: One piece hydroformed, anodized aluminum reflector provides rectangular distribution for maximum luminaire spacing and vertical illumination.

A15: High-efficiency, anodized, spun aluminum reflector features exclusive contoured design.

**Electrical**

Ballast: All ballasts are 100% factory tested. HPS: Constant wattage autotransformer. MH: 175-450W fixtures shipped within the U.S. require super CWA pulse start ballasts which are 88% efficient and EISA-legislation compliant (must specify SCWA option). CSA, NOM or INTL options required for probe start shipments outside the U.S.

Socket: Vertically oriented mogul base protected exclusionary "PINK" socket with copper alloy, nickel-plated screw shell and center contact.

**Installation**

Pendant splice box: Removable cast-aluminum box slides on integral die-cast aluminum housing mounting flange and mounts to 3/4" pendant conduit prior to ballast housing installation. Matching wire access cover accepts RELOC® modular wiring. Complete assembly meets or exceeds UL 50-pound pull test.

Optic mounting adjustable reflector mounting brackets are progressively die-formed of 18-gauge galvanized steel.

**Listings**

UL Listed -30°C to 55°C ambient operations and damp locations. High ambient (HA option) of 65°C available. (HA not available on THD A15). UL Listed to U.S. and Canadian safety standards. NOM Certified.

**TH A14**  
**TH A15**  
**THD A15**  
Hi-Tek®



TH A14



TH A15 / THD A15



**ORDERING INFORMATION**

For shortest lead times, configure products using **bolded options**.

**Example:** TH 400MP A15 TB SCWA

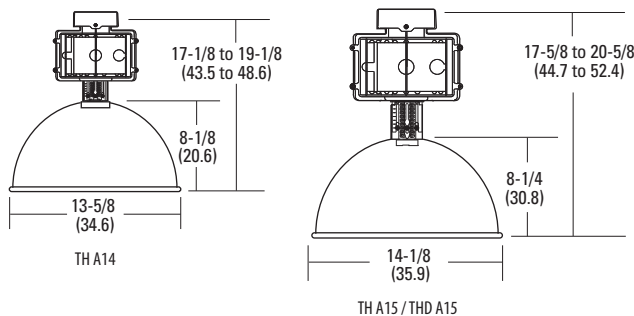
Series	Lamp type	Reflector	Voltage	Ballast	Options
<b>TH</b>	<b>Protected metal halide</b>	<b>High pressure sodium</b>	<b>A14</b>	<b>TB<sup>5</sup></b>	<b>Pulse start metal halide</b>
<b>THD<sup>1</sup></b>	175MP	70S	<b>A15</b>	120	For shipments to U.S. territories, SCWA must be specified to comply with EISA.
	200MP	100S		208 <sup>2,3</sup>	<b>SCWA</b> Super constant wattage autotransformer
	<b>250MP</b>	150S		240 <sup>2,3,4</sup>	RLB Regulated lag ballast
	320MP	200S		277	<b>Non-EISA ballast</b>
	350MP	<b>250S</b>		347	(blank) Standard magnetic ballast <sup>6,7</sup>
	<b>400MP</b>	<b>400S</b>		480 <sup>2,3</sup>	CWI Constant wattage isolated <sup>6,7</sup>
	450MP				MRB Magnetic regulator ballast
					SCWI Isolated SCWA <sup>6,8</sup>

For options and accessories, see pages 433-439.

**ADDITIONAL INFORMATION**

For additional product information, visit [www.lithonia.com](http://www.lithonia.com).

Drawings are for dimensional detail only and may not represent actual mechanical configuration. Dimensions are shown in inches (centimeters) unless otherwise noted.



**Notes**

- THD consists of TH housing and A15 reflector shipped in a carton. Available with 400MP tapped ballast only. SCWA only.
- Requires CWI or RLB option in Canada for metal halide. Available for 175-450W only.
- Requires CSI or MRB option in Canada for high pressure sodium. Available for 70-400W only.
- 220V and 240V 50Hz and 60Hz ballasts available for use with U.S. protected metal halide and high pressure sodium lamps.
- Optional multi-tap ballast (120V, 208V, 240V, 277V; 120V, 277V, 347V in Canada).
- Available for shipments outside of U.S. only.
- 175-450W metal halide only.
- 400W metal halide only.