

## FEATURES & SPECIFICATIONS

### INTENDED USE

Ideal where high brightness and high illumination levels are required such as retail, industrial and warehouse applications.

### ATTRIBUTES

Fixtures assembled with snap and screwed together components. Available in a variety of lengths and lamp configurations. Gripper-back design for superior strength and rigidity.

### CONSTRUCTION

Heavy-duty, 20-gauge channel, cold-rolled steel.

Sturdy channel cover secured by quarter-turn latch for tool-less access to wireway. Screw-on endplates.

### FINISH

Five-stage iron-phosphate pretreatment ensures superior paint adhesion and rust resistance. Finish is high-gloss baked white polyester.

### ELECTRICAL SYSTEM

Thermally protected, resetting, Class P, HPF, UL listed, CSA Certified ballast is standard. Magnetic ballast complies with ballast efficiency requirements of U.S. Department of Energy 10CFR Part 430. Ballasts for T12HO rated to start full-wattage lamps at -20°F. CW20 cold-weather option will appear in fixture description.

Fixture is suitable for damp locations. AWM, TFN or THHN wire used throughout, rated for required temperatures.

### INSTALLATION

For unit or row installation, suspended mounting. Channel connector furnished standard.

### LISTING

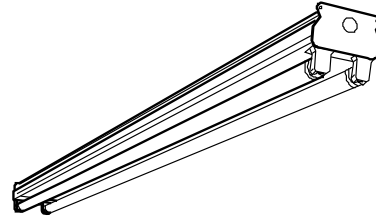
UL Listed to US and Canadian safety standards. Optional: Mexico NOM.

### WARRANTY

Guaranteed for one year against mechanical defects in manufacture.

Catalog Number	
Notes	Type

# Heavy-Duty Strip UND

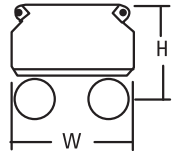


**T12, MAGNETIC BALLASTS**  
4', 6' or 8' length  
1 or 2 lamps

### Specifications

Length:	24" (610), 36" (914), 48" (1219), 72" (1829) or 96" (2438)
Width:	4-3/8" (124)
Height:	T12 3-11/16" (94)

All dimensions are inches (millimeters).  
Specifications subject to change without notice.



## ORDERING INFORMATION

For shortest lead times, configure product using **standard options (shown in bold)**.

Example: UND 2 96HO 120 CW20 MBX

UND					
Series	Lamps	Lamp type		Voltage	Options
<b>UND Heavy-duty channel for T12 lamps</b>	1 <sup>1</sup> 2 Not included.	<b>48HO</b> 60W <b>T12 800MA (48")<sup>1</sup></b>		<b>120</b>	<b>Shipped installed in fixture</b> <b>CW20 Cold-weather ballast -20°F starting</b> <b>MBX U.S. Department of Energy compliant magnetic ballast</b> EL14 Emergency battery pack (nominal 1400 lumens), see Life Safety Section GLR Internal fast-blow fusing GMF Internal slow-blow fusing PLF_ Plug-in wiring; specify 1, 2 or 3 branch circuits and hot wires (A=black, B=red, C=blue, AB or AC) TILW Tandem in-line wiring NOM NOM Certified
		72HO 85W T12 800MA (72")		277	
		<b>96HO</b> 110W <b>T12 800MA (96")</b>		347	

For tandem double-length unit, add prefix T.  
Example: TUNS

### Accessories

Order as separate catalog numbers.

SQ_	Swivel stem hanger (specify length in 2" increments)
1B	Ceiling spacer (1-1/2" to 2-1/2" from ceiling)
HC36	Chain hangers (1 pair, 36" long)
THUN	Tong hanger
HRUND1	Hooker® T-bar hanger (1-1/2" from ceiling), UND only
CSMR48	Symmetric reflector, 4' white
CASR48	Asymmetric reflector 4' white
WGCUN	Wireguard, 4' white <sup>2</sup>

### NOTES:

- Not available with 347V.
- Order two for 8' fixtures. For strip channels only.

# UND T12, Magnetic Ballasts

## MOUNTING DATA

For unit or row installation, surface or suspended mounting. Use hanger appropriate for fixture width.

Unit installation — Minimum of two hangers required.

Row installation — One hanger per channel plus one per row required.

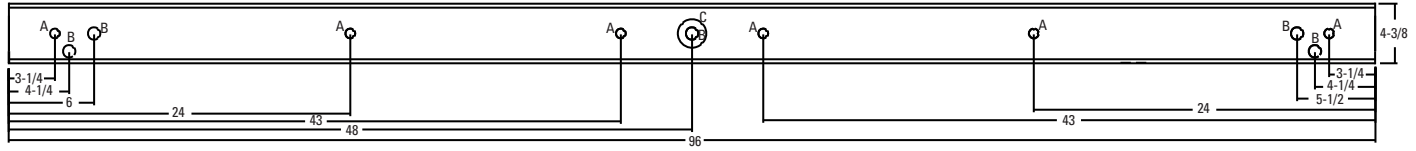
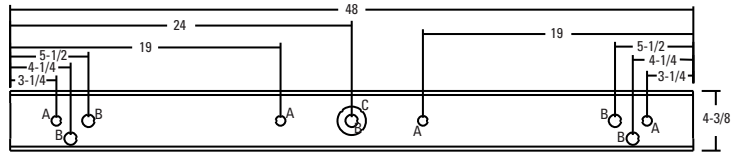
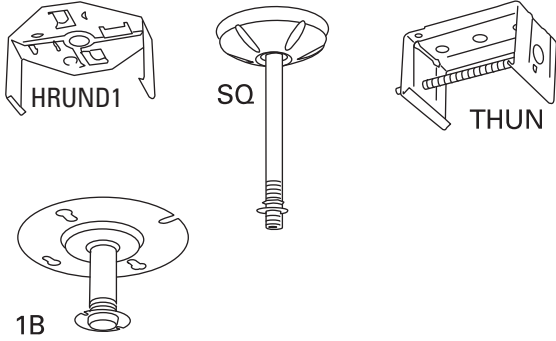
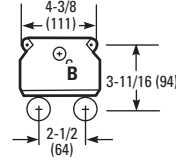
Hooker® (HRUND1, HRUNS1), HC36 and THUN Hangers — Minimum two per channel (unit and row).

See ACCESSORIES below for hanging devices.

## DIMENSIONS

Inches (millimeters). Subject to change without notice.

A = 11/16 (18) Dia. K.O.  
 B = 7/8 (22) Dia. K.O.  
 C = 2 (51) Dia. K.O.



## PHOTOMETRICS

Calculated using the zonal cavity method in accordance with IESNA LM41 procedure. Floor reflectances are 20%. Lamp configurations shown are typical. All data based on 25°C. Full photometric data on these and other configurations available upon request.

### UND 2 96HO

Report: LTL12646

LUMENS PER LAMP: 8350

Luminaire Efficiency: 91.6%

#### Coefficients of Utilization

RCR	pf	Coefficients of Utilization										
		80%			20%			30%				
		pc	pw	70%	50%	30%	50%	30%	10%	50%	30%	10%
0	104	104	104	90	90	90	81	81	81			
1	92	87	82	75	71	68	67	65	62			
2	83	74	67	64	59	54	57	53	50			
3	75	64	56	55	49	44	50	45	41			
4	68	56	48	48	42	37	44	38	34			
5	62	50	41	43	36	31	39	33	29			
6	57	44	36	39	32	27	35	29	25			
7	53	40	32	35	28	23	32	26	22			
8	49	36	28	32	25	21	29	23	19			
9	46	33	25	29	23	18	26	21	17			
10	43	30	23	27	21	17	24	19	15			

#### Zonal Lumen Summary

Zone	Lumens	% Lamp	% Fixture
0° - 30°	2286	13.7	15.0
0° - 40°	3886	23.3	25.4
0° - 60°	7586	45.4	49.6
0° - 90°	11677	69.9	76.4
90° - 180°	3613	21.6	23.6
0° - 180°	15290	91.6	100.0



Lithonia Lighting  
 Fluorescent  
 One Lithonia Way, Conyers, GA 30012  
 Phone: 800-858-7763  
 www.lithonia.com