

Catalog Number
Notes
Type

## FEATURES & SPECIFICATIONS

### INTENDED USE

Provides years of maintenance-free general illumination for residential and commercial outdoor applications such as yards, driveways, patios, loading areas and warehouses. Motion activation deters intruders.

### CONSTRUCTION

Three tool-free adjustable heads allow for easy aiming up/down or side to side.

Rugged cast aluminum, corrosion-resistant housing in bronze or white.

Clear acrylic lenses are fully gasketed to keep out moisture, dirt and bugs.

120V driver operates at 60Hz.

Rated for outdoor installations, -40°C minimum ambient.

### OPTICS

High-performance 5000K CCT LEDs produce 2063 lumens and maintain 70% of light output at 50,000 hours of service. (Nominal correlated color temperature per ANSI C78-377-2008; LED lifespan based on IESNA LM-80-08 results and calculated per IESNA TM-21-11 methodology.)

Dual array motion sensor provides 180° detection with up to 70 feet forward range, and additional downward perimeter protection for added security.

Sensitivity and on-time adjustable knobs provide precision control, and the sensor has a manual override option.

An integrated photocell prevents activation during daylight.

### INSTALLATION

Mounts easily to existing junction box on wall or under building eave.

Adjustable heads allow precise illumination.

Not recommended to wire multiple fixtures in parallel.

### LISTINGS

UL/C-UL Certified to US and Canadian safety standards. Wet location listed for mounting higher than 4' off the ground.

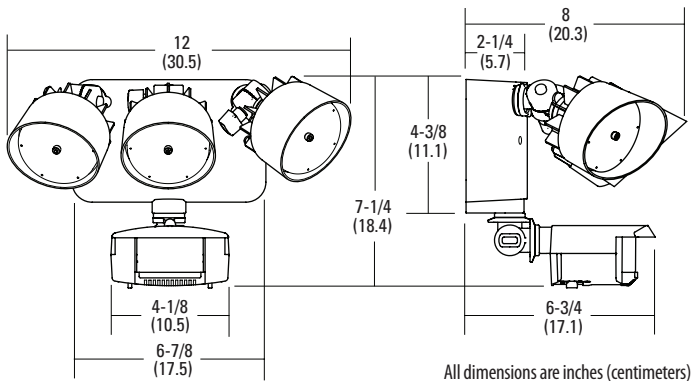
### WARRANTY

Five-year limited warranty. Full warranty terms located at

[www.acuitybrands.com/CustomerResources/Terms\\_and\\_conditions.aspx](http://www.acuitybrands.com/CustomerResources/Terms_and_conditions.aspx).

NOTE: Specifications are subject to change without notice.

Actual performance may differ as a result of end-user environment and application.



Outdoor General Purpose

# OFLR 9 MO

LED FLOODLIGHT WITH MOTION SENSOR  
3 ADJUSTABLE HEADS

High Performance LED



### ORDERING INFORMATION

All configurations of this product are considered "standard" and have short lead times.

Example: OFLR 9LN 120 MO BZ

OFLR	9LN	120	MO	
Series	Number of LEDs	Voltage	Features	Finish
OFLR LED floodlight	9LN 9 LEDs, 3 heads	120 120 volts	MO Motion sensor	BZ Bronze WH White

# 3-Head LED Floodlight with Motion Sensor

## PHOTOMETRICS

Full photometric data report available within 2 weeks from request. Consult factory.

