

## FEATURES & SPECIFICATIONS

**INTENDED USE** — Ideal one-for-one replacement of conventional lighting systems such as HID and fluorescent. Applications include manufacturing, warehousing and other large indoor spaces with mounting heights ranging from 10' – 40'. Luminaire shall be suspended a minimum 24" from ceiling. Surface mounting is not permitted. **Certain airborne contaminants can diminish integrity of acrylic.** [Click here for Acrylic Environmental Compatibility table for suitable uses.](#)

**CONSTRUCTION** — Lightweight aluminum heat sink designed to perform at warm ambient temperatures. Due to precision thermal engineering for maximum naturally convective cooling this fixture provides lumen droop that is less than fluorescent. Fabricated steel channel provides maximum rigidity.

**OPTICS** — Medium distribution to meet both horizontal and vertical light level requirements. Reflectors are precision formed and painted high reflectance white. Semi-diffuse lens is standard to provide glare control and LED protection.

**ELECTRICAL** — 70% lumen maintenance at 97,000 hours; predicted life of more than 100,000 hours. Thermally protected driver standard with 0-10V dimming.

**LISTINGS** — CSA certified to US and Canadian safety standards. Damp location listed. Ambient operating temperatures vary please refer to chart on page 3.

DesignLights Consortium® (DLC) qualified product. Not all versions of this product may be DLC qualified. Please check the DLC Qualified Products List at [www.designlights.org](http://www.designlights.org) to confirm which versions are qualified.

**WARRANTY** — 5-year limited warranty. Complete warranty terms located at [www.acuitybrands.com/CustomerResources/Terms\\_and\\_conditions.aspx](http://www.acuitybrands.com/CustomerResources/Terms_and_conditions.aspx)

Actual performance may differ as a result of end-user environment and application.

Actual wattage may differ by +/-1% when operating between 120-277V +/-10%.

Note: Specifications subject to change without notice.

LED High Bay

# IBH

9,000 through 30,000 Lumens  
Patent Pending



### ORDERING INFORMATION

Lead times will vary depending on options selected. Consult with your sales representative.

**Example:** IBH 18000LM SD080 MD MVOLT GZ10 40K 70CRI WH

IBH			MD		GZ10		
Series	Lumens	Lens	Distribution	Voltage	Driver	Color temperature	Color rendering index
IBH	9000LM 9,000 lumens 12000LM 12,000 lumens 15000LM 15,000 lumens 18000LM 18,000 lumens 24000LM 24,000 lumens 30000LM 30,000 lumens	SD080 Semi-diffuse acrylic L/LENS Less lens <sup>1</sup>	MD Medium	MVOLT MVOLT; 120-277V HVOLT 347V-480V 120 120V 277 277V	GZ10 0-10V dimming	40K 4000 K 50K 5000 K	70CRI 70 CRI 80CRI 80 CRI <sup>2</sup>

Options		Finish
GLR	Internal fast-blow fuse <sup>3,4</sup>	WH Gloss white MB Matte black
OUTCTR	Wiring leads pulled through back center of fixture	
OCS	RELOC® OnePass® 5' installed <sup>3</sup>	
RRL	RELOC®-ready luminaire. See page 5 for ordering information	
WGX	Standard wire guard, installed	
<b>Cord sets:</b> <sup>5</sup>		
CS1W	Straight plug, 120V <sup>2,6</sup>	
CS3W	Twist-lock, 120V <sup>2,6</sup>	
CS7W	Straight plug, 277V <sup>2,6</sup>	
CS11W	Twist-lock, 277V <sup>2,6</sup>	
CS25W	Twist-lock, 347V <sup>2,6</sup>	
CS97W	Twist-lock, 480V <sup>2,6</sup>	
CS93W	600V SE00W white cord, no plug (no voltage required)	
<b>Motion sensors:</b>		
LCOZU	Aisle motion sensor, pre-wired <sup>2,7</sup>	
LCHOSZU	Aisle motion sensor, pre-wired; programmable dimming <sup>2,7</sup>	
LCPZU	Aisle motion sensor with photocell; pre-wired <sup>2,7</sup>	
LACOSZU	Aisle motion sensor, dimming and switching photocell, pre-wired <sup>2,7</sup>	
LAOZU	360° motion sensor, pre-wired <sup>2,7</sup>	
LAHOSZU	360° motion sensor, pre-wired; programmable dimming <sup>2,7</sup>	
LAPZU	360° motion sensor with photocell, pre-wired <sup>2,7</sup>	
LAMOSZU	360 motion sensor, dimming and switching photocell, pre-wired <sup>2,7</sup>	
nPP16D	nLight® switching/dimming module <sup>2,8</sup>	
nMSI	nLight, aisle motion sensor, pre-wired <sup>2,9</sup>	
nMSI360	nLight, 360° motion sensor, pre-wired <sup>2,10</sup>	
nMSID	nLight, aisle motion sensor, pre-wired, dimming <sup>2,11</sup>	
nMSI360D	nLight, 360° motion sensor, pre-wired, dimming <sup>2,12</sup>	
XAD	Factory installed XPoint™ wireless 0-10V dimming relay <sup>2,13</sup>	
MSI6XADL DSCXADL	360° Xpoint wireless motion sensor with photocell <sup>2,13</sup>	

See footnotes on page 2.

# IBH LED High Bay

**Accessories:** Order as separate catalog number.

**Mounting:**

IBAC120 M20	Aircraft cable 10' with hook (one pair)
IBAC240 M20	Aircraft cable 20' with hook (one pair)
IBHMP	Hook monopoint
ZACVH	Aircraft 10' V hanger (one pair)
IBLPMP	Pendant monopoint splice box, includes side covers
IBLPMPHB	Pendant monopoint splice box with 3/4" hub, includes side covers
HC36	Hanger chain, 36" (one pair)
THUN	Tong hanger bracket (order 2 per fixture) <sup>14</sup>

**Wire guards:**

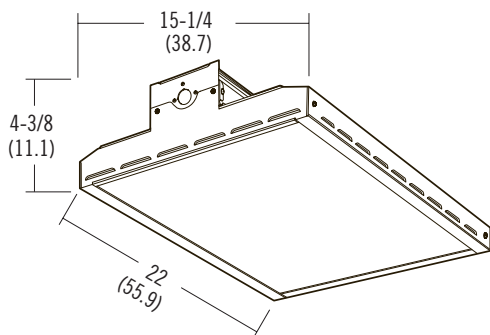
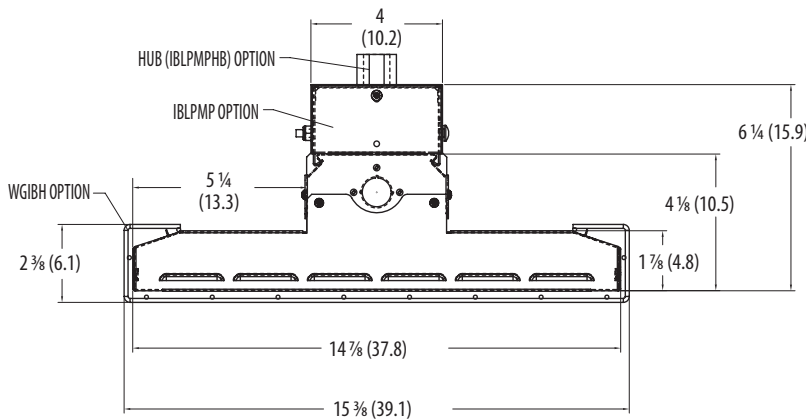
WGIBH	Wire guard for use with 9000LM - 15000LM fixtures
WGIBH4	Wire guard for use with 18000LM - 30000LM fixtures

**Notes**

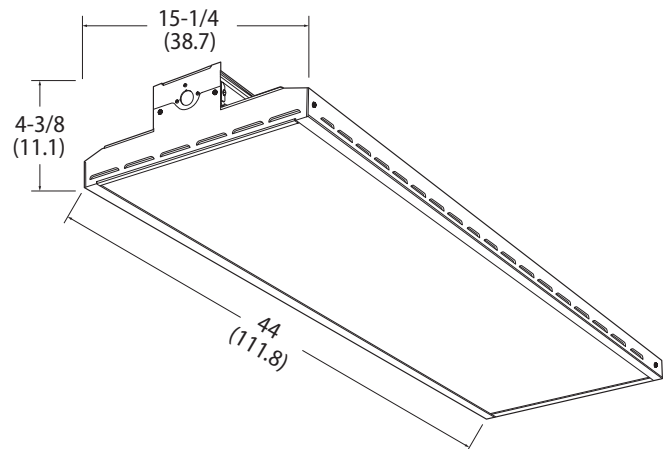
- 1 Direct eye exposure to the high-power LEDs can injure the eyes. Proper precautions should be taken to avoid direct prolonged and/or close-range viewing of the LEDs while operating.
- 2 10% reduction in lumens compared to 70 CRI.
- 3 Must specify voltage.
- 4 Not available with 347V.
- 5 All cord sets are 18/3, 6', white.
- 6 Cord sets are voltage specific. Specify voltage. Other configurations available. Consult factory.
- 7 Other configurations available, see page four for additional options. Maximum ambient temperature 104°F (40°C).
- 8 347V and 480V with nPP16D utilizes a step down transformer.
- 9 nMSI options utilizes a nPP16 and nCMB 50 sensor, CAT5e connector cable also included. Available 120 or 277V only.
- 10 nMSI360 options utilizes a nPP16D and nCMB 6 sensor, CAT5e connector cable also included. Available 120 or 277V only.
- 11 nMSID options utilizes a nPP16D and nCMB 50 sensor CAT5e connector cable also included. Available 120 or 277V only.
- 12 nMSI360D options utilizes a nPP16 and nCMB 6 sensor, CAT5e connector cable also included. Available 120 or 277V only.
- 13 For use in ambient temperatures ranging from -14° to 104°F (-10° to 40°C).
- 14 For use in applications with ambient temperatures up to 30C.

## DIMENSIONS

All dimensions are in inches (centimeters) unless otherwise indicated.  
Dimensions may vary with options or accessories.



9,000, 12,000 and 15,000 Lumens



18,000, 24,000 and 30,000 Lumens



## OPERATIONAL DATA

Lumen package	Ambient rating* (120V - 277V)	Ambient rating* (347V / 480V)	Delivered lumens 5000 K CCT, 70CRI @ 77°F (25°C) ambient temperature	Delivered lumens 4000 K CCT, 70CRI @ 77°F (25°C) ambient temperature	Delivered lumens 5000 K CCT, 80CRI @ 77°F (25°C) ambient temperature	Delivered lumens 4000 K CCT, 80CRI @ 77°F (25°C) ambient temperature
9000LM	-40°F to 104°F (-40°C to 40°C)	-40°F to 86°F (-40°C to 30°C)	10,736	10,120	10,083	9,504
12000LM	-40°F to 104°F (-40°C to 40°C)	-40°F to 86°F (-40°C to 30°C)	13,558	12,780	12,733	12,002
15000LM	-40°F to 104°F (-40°C to 40°C)	-40°F to 95°F (-40°C to 35°C)	16,332	15,395	15,338	14,458
18000LM	-40°F to 104°F (-40°C to 40°C)	-40°F to 95°F (-40°C to 35°C)	21,472	20,240	20,165	19,008
24000LM	-40°F to 104°F (-40°C to 40°C)	-40°F to 95°F (-40°C to 35°C)	28,463	26,830	26,731	25,197
30000LM	-40°F to 104°F (-40°C to 40°C)	-40°F to 95°F (-40°C to 35°C)	32,664	30,790	30,676	28,916

\* Ambient temperature ratings vary depending on options selected.

## CHARACTERISTICS

Lumen package	Wattage				Length	Width	Depth	Weight without Lens (Lens kit adds approx. 7 lbs (2.3 kg))	Comparable light source
	120V	277V	347V	480V					
					Dimensions are shown in inches (centimeters) unless otherwise noted.				
9000LM	99	98	95	95	22 (55.9)	15-1/4 (38.7)	4-3/8 (11.1)	10 lbs (4.5 kg)	2-lamp T5HO
12000LM	125	123	120	119	22 (55.9)	15-1/4 (38.7)	4-3/8 (11.1)	10 lbs (4.5 kg)	4-lamp T8, 250W HID
15000LM	156	154	150	149	22 (55.9)	15-1/4 (38.7)	4-3/8 (11.1)	10 lbs (4.5 kg)	4-lamp T5HO, 6-lamp T8
18000LM	198	195	190	189	44 (111.8)	15-1/4 (38.7)	4-3/8 (11.1)	20 (9.1 kg)	4-lamp T5HO, 6-lamp T8, 400W HID
24000LM	253	249	243	242	44 (111.8)	15-1/4 (38.7)	4-3/8 (11.1)	20 (9.1 kg)	6-lamp T5HO, 8-lamp T8
30000LM	311	307	299	298	44 (111.8)	15-1/4 (38.7)	4-3/8 (11.1)	20 (9.1 kg)	8-lamp T5HO

## PROJECTED LUMEN MAINTENANCE

Operating hours	0	10,000	20,000	25,000	35,000	50,000	60,000	75,000	100,000
Lumen maintenance factor	1	0.96	0.92	0.90	0.87	0.83	0.80	0.76	0.69

## LUMENS VS. AMBIENT TEMPERATURE

Ambient °C	Ambient °F	Lumen multiplier
0	32	1.03
5	41	1.03
10	50	1.02
15	59	1.01
20	68	1.01
25	77	1.00
30	86	.98
35	95	.89
40	104	.79

## PHOTOMETRICS

See [www.lithonia.com](http://www.lithonia.com).

