

PRODUCT OVERVIEW



Features:

- Die-cast aluminum housing and spun aluminum hood for long-life performance
- Optical assembly designed for maximum performance
- Multi-gasketing to provide weatherproof protection of optical assembly for full illumination performance
- Hinged hood and captive screw latching provision afford quick, easy access to electrical and optical area for relamping or servicing
- Available with two different style hoods and an added scroll option for a more decorative look
- Cone mounting fitter with three set screws allows secure installation to pole sizes 2-3/8" or 3" O.D.
- Refractor available in tempered glass, acrylic and polycarbonate
- Available in a variety of IES light distributions patterns
- E39 mogul base socket standard
- All electrical components warranted by American Electric Lighting's 6-year guarantee
- Complies with ANSI: C136.2, C136.10, C136.15, C136.16
- Suitable for -30°C MH / -40°C HPS

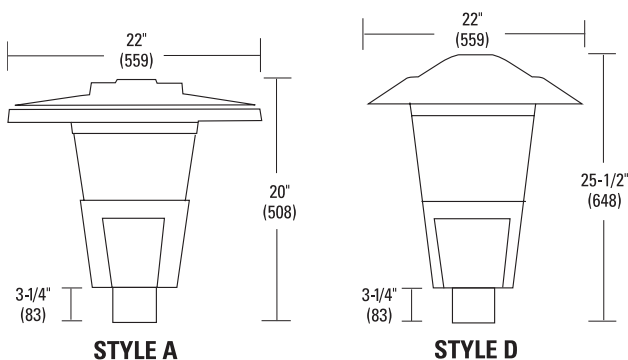
Applications:

- Streetscapes
- Walkways
- Pathways
- Parks

PREFERRED SELECTION CATALOG NUMBERS

- 245 10S RN 120 R5 AY
- 245 15S RN 120 R5 AY
- 245 25S CA MT1 R5 GL
- 245 15S CA MT1 R5 AY

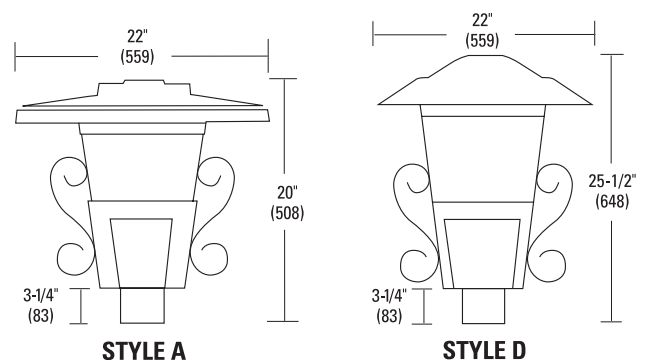
DIMENSIONS



Effective Projected Area (EPA)
The EPA for the Contempo Series 245 is 1.3 sq. ft.
Approx. Wt. = 32 lbs.

DIMENSIONS

SCROLL DESIGN OPTION



Effective Projected Area (EPA)
The EPA for the Decorative Scroll Option is 1.8 sq. ft.
Approx. Wt. = 32 lbs.

Contempo

Series 245

50-400W HPS, 70-400W MH

ORDERING INFORMATION

Example: 245 10S RN 120 R3 GL SD PC

Series	Wattage / Source		Ballast	Voltage	Distribution
245 Contempo Post Top	05 50W	S HPS	RN Reactor Normal Power Factor	120 120V	R2 Type II
	07 70W	M MH ²	RH Reactor High Power Factor	208 208V	R3 Type III
	10 100W		XN High Reactance / Lag Normal Power Factor	240 240V	R5 Type V
	13 100/150 Wired 100		XH High Reactance / Lag High Power Factor	277 277V	Refer to optical matrix below for compatibility
	14 100/150 Wired 150		CA CWA ²	480 480V	
	15 150W		CT CWI	MT1 Multi-tap Wired 120V	
	17 175W ¹		SC SCWA	MT2 Multi-tap Wired 240V	
	25 250W ¹		MR Mag Reg (3 coil)	MT7 Multi-tap Wired 277V	
	31 310W			MT8 Multi-tap wired 208V	
	40 400W			TT3 Tri-tap Wired 347V	
				DT2 Dual Tap 120/240wired 240V	
				ST4 5-tap Wired 480V ³	

See ballast matrix for EISA compliant options

Optics
GL Glass
AY Acrylic⁴
PY Polycarbonate⁴

Options

Paint ⁵	(blank) Gray (standard)	Starter ⁹	(blank) Open Board (standard)
	BK Black		EC Encapsulated Plug-in
	DDB Dark Bronze		OP Open Plug-in
	WH White		
	BZ Bronze	Hood Style	
Terminal Block		(blank) Style A	
(blank) Terminal Block (standard)		SD Style D	
T2 Wired to L1 & L2 Positions		Misc.	
T3 3 Wire Operation (L1, N, L2 Position) ⁶		PC Photocontrol Included per Voltage Specified ⁸	
Listing		SS Stainless Steel Hardware	
UL UL Listed		NL NEMA Label	
CS CSA Certified		DD Decorative Scroll Design ¹⁰	
Fusing ⁷		SH Shorting Cap ⁸	
SF Single Fuse (120, 277, 347V)			
DF Double Fuse (208, 220, 240, 480V)			

Notes:

- When ordered with metal halide, these wattages do not comply with California Title 20 regulations.
- CA ballast is not available with 175W - 400W metal halide in the U.S.; must use SC
- Available in 250W and 400W only
- Available 250W maximum
- Other colors available, please contact your local American Electric Lighting representative
- T3 option only available with 240, 480, DT2, DT4, MT2
- Not available in MT, TT, DT, voltages; voids UL listing
- PC and SH not available with NR option
- Available in HPS only
- Scroll color must be specified

Optic Distribution

	R2 AY	R3 AY	R5 AY	R2 PY	R3 PY	R5 PY	R2 GL	R3 GL	R5 GL
05S	▲	▲	▲	▲	▲	▲	▲	▲	▲
07S	▲	▲	▲	▲	▲	▲	▲	▲	▲
10S	▲	▲	▲	▲	▲	▲	▲	▲	▲
10M	▲	▲	▲	▲	▲	▲	▲	▲	▲
13S	▲	▲	▲	▲	▲	▲	▲	▲	▲
14S	▲	▲	▲	▲	▲	▲	▲	▲	▲
15S	▲	▲	▲	▲	▲	▲	▲	▲	▲
15M	▲	▲	▲	▲	▲	▲	▲	▲	▲
20S	▲	▲	▲	▲	▲	▲	▲	▲	▲
25M	▲	▲	▲	▲	▲	▲	▲	▲	▲
31S	-	-	-	-	-	-	▲	▲	▲
40S	-	-	-	-	-	-	▲	▲	▲
40M	-	-	-	-	-	-	▲	▲	▲

Photocontrol Receptacle	
(blank) NEMA Photocontrol Receptacle (standard)	
NR No Photocontrol Receptacle ⁸	
Lamp	
LC Lamp Included, Clear	
LD Lamp Included, Deluxe/Coated	



American Electric Lighting
Acuity Brands Lighting, Inc.
3825 Columbus Rd. S.W., Granville, OH 43023
Phone: 800-537-5710 Fax: 740-587-6114
www.americanelectricleighting.com

BALLAST MATRIX

Contempo Series 245

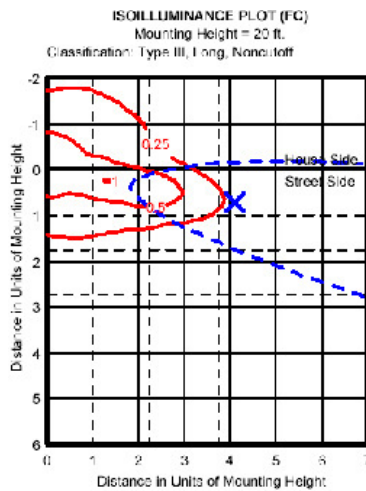
Wattage	120	208	240	277	347	480	DT2
055	RH, RN	XH, XN	XH, XN	XH, XN	-	-	XH, XN
075	CA, CT, MR, RH, RN	CA, CT, XH, XN	CA, CT, MR, XH, XN	CA, XH, XN	CA, XH, XN	XH, XN	CA, CT, MR, XH, XN
07M	XH	XH	XH	XH	-	-	XH
105	CA, CT, MR, RH, RN	CA, CT, XH, XN	CA, CT, MR, XH, XN	XH, XN	CT, XH, XN	CA	CA, CT, MR, XH, XN
10M	XH	XH	XH	XH	XH, XN	-	XH
135	RH, RN	-	-	-	-	-	-
145	RH, RN	-	-	-	-	-	-
155	CA, CT, MR, RH, RN	CA, CT, XH, XN	CA, CT, MR, XH, XN	CA, XH, XN	CT, XH, XN	CA	CA, CT, MR, XH, XN
15M	SC, XH, XN	XH, XN	XH, XN	XH, XN	XH	SC, MR	-
17M	SC	SC	SC	SC	SC	SC	SC
205	CA, CT, MR, XH, XN	CA, CT	CA, CT, MR, XH, XN	CA, CT	CA	CA, MR	CA, CT, MR, XH, XN
255	CA, CT, MR, XH, XN	CA, CT	CA, CT, MR, RH, RN	CA, CT	CA	CA, CT, MR	CA, CT, MR, XH, XN
25M	SC	SC	SC	SC	SC	SC	SC
315	CA, MR	CA	CA, MR	-	-	MR	CA, MR
405	CA, CT, MR	CA, CT, RH, RN	CA, CT, MR, RH, RN	CA	CA	CA, CT, MR	CA, CT, MR
40M	SC	SC	SC	SC	-	SC	SC

Contempo Series 245 continued

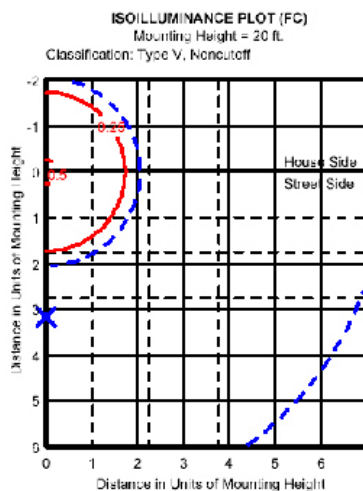
Wattage	MT1	MT2	MT7	MT8	TT3	ST4
055	XH, XN	XH, XN	XH, XN	XH, XN	-	-
075	CA, XH, XN	CA, XH, XN	CA, XH, XN	CA, XH, XN	-	-
07M	XH	XH	XH	XH	XH, XN	-
105	CA, XH, XN	CA, XH, XN	CA, XH, XN	CA, XH, XN	-	-
10M	XH	XH	XH, XN	XH, XN	XH, XN	-
135	-	-	-	-	-	-
145	-	-	-	-	-	-
155	CA, XH, XN	CA, XH, XN	CA, XH, XN	CA, XH, XN	-	-
15M	SC, XH, XN	XH, XN	XH, XN	XH, XN	XH, XN	-
17M	SC	SC	SC	SC	SC	-
205	CA, CT	CA, CT	CA, CT	CA, CT	CA	-
255	CA, CT	CA, CT	CA, CT	CA, CT	CA, CT	CA
25M	SC	SC	SC	SC	SC	-
315	CA	CA	CA	CA	-	-
405	CA	CA	CA	CA	CA	CA
40M	SC	SC	SC	SC	SC	-

PHOTOMETRICS

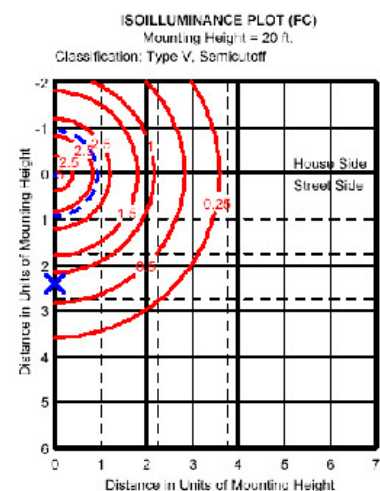
245 155 R3 AY



245 105 R5 AY



245 405 R5 GL



X Maximum Intensity
- - - 1/2 Maximum Intensity