

FEATURES & SPECIFICATIONS

INTENDED USE — The FS Series recessed LED luminaire combines modern aesthetics and performance in a general lighting product that enables the transformation from fluorescent to LED. The high efficacy light engine delivers long life and excellent color to ensure a quality lighting installation. Integrated controls options provide for design flexibility and optimum energy savings. Multiple lumen packages and driver options provide solutions for all your lighting applications.

Certain airborne contaminants can diminish integrity of acrylic. [Click here for Acrylic Environmental Compatibility table for suitable uses.](#)

CONSTRUCTION — Rugged, one-piece cold-rolled steel coated polyester, painted after fabrication. The satin white lens provides excellent shielding and wide distribution. End plates include integral T-bar clips. Fixture may be mounted and wired in continuous rows. Total fixture height is only 4-3/8".

ELECTRICAL — Long-life LEDs, coupled with high-efficiency drivers, provide superior illumination for extended service life. 90% LED lumen maintenance at 60,000 hours (L90/60,000). The LEDs have a CRI of 82. eldoLED driver options deliver choice of dimming range, and choices for control, while assuring flicker-free, low-current inrush, 89% efficiency and low EMI.

Optional integrated nLight® controls make each luminaire addressable - allowing it to digitally communicate with other nLight enabled controls such as dimmers, switches, occupancy sensors and photocontrols. Simply connect all the nLight enabled control devices and the FSL luminaires using standard CAT-5 cabling. Unique plug-and-play convenience allows devices and luminaires to automatically discover each other and self-commission.

Lumen Management: Unique lumen management system (option N80) provides onboard intelligence that actively manages the LED light source so that constant lumen output is maintained over the system life, preventing the energy waste created by the traditional practice of over-lighting.

Step-level dimming option allows system to be switched to 50% power for compliance with common energy codes while maintaining fixture appearance.

Driver disconnect provided where required to comply with US and Canadian codes.

INSTALLATION — Unique grid interfacing arrangement provides mounting into standard 1" and 9/16" tee bar or screw slot grids. 9/16" allows fixture trim to hang level with architectural ceiling tiles. Drywall ceiling adaptors available. Suitable for damp location.

LISTINGS — CSA certified to meet US and Canadian standards. IC rated. DesignLights Consortium® (DLC) qualified product. Not all versions of this product may be DLC qualified. Please check the DLC Qualified Products List at www.designlights.org/QPL to confirm which versions are qualified.

WARRANTY — 5-year limited warranty. Complete warranty terms located at www.acuitybrands.com/CustomerResources/Terms_and_conditions.aspx

Note: Actual performance may differ as a result of end-user environment and application.

All values are design or typical values, measured under laboratory conditions at 25 °C.

Specifications subject to change without notice.

| |
|----------------|
| Catalog Number |
| Notes |
| Type |



FS Series

2FSL4

2' x 4'
LED



| Stock Configurations |
|----------------------|
| 2FSL4 40L EZ1 LP835 |
| 2FSL4 40L EZ1 LP840 |

ORDERING INFORMATION

Lead times will vary depending on options selected. Consult with your sales representative.

Example: 2FSL4 40L EZ1 LP835 N100

| 2FSL4 | | Air function | | Lumens | | Lens | | Voltage | | Driver | | Color temperature | | Controls ⁵ | | Options | |
|-------|---------|--------------|--------------|--------|-------------------|---------|-------------|---------|------------------|--------|--|-------------------|--------|-----------------------|--|---------|--|
| 2FSL4 | 2X4 FSL | (blank) | Static | 30L | 3000 ¹ | (blank) | Satin white | (blank) | MVOLT | EZ1 | eldoLED dims to 1%, 0-10V | LP830 | 3000 K | (blank) | No controls | EL7L | 700 lumen battery pack |
| | H | H | Heat removal | 40L | 4000 ¹ | | | 347 | 347 ² | EZB | eldoLED dims to black, 0-10V | LP835 | 3500 K | N80 | nlight® with 80% lumen management | EL14L | 1400 lumen battery pack |
| | | | | 48L | 4800 ¹ | | | | | EDB | eldoLED DALI ³ | LP840 | 4000 K | N80EMG | nlight® with 80% lumen management. For use with generator supply EM power. | CP | Chicago plenum |
| | | | | 60L | 6000 ¹ | | | | | EXB | eldoLED DMX/RDM ³ | LP850 | 5000 K | N100 | nlight® without lumen management | PWS1836 | 6' prewire, 3/8" diameter, 18-gauge, 1-circuit |
| | | | | 72L | 7200 ¹ | | | | | SLD | Step-level dimming ^{3,4} | | | N100EMG | nlight® without lumen management. For use with generator supply EM power. | PWS1846 | 6' prewire, 3/8" diameter, 18-gauge, 2-circuit |
| | | | | | | | | | | EXA1 | Dims to 1%, XPoint wire-less enabled | | | | | RRL_ | RELOC®-ready luminaire ⁶ |
| | | | | | | | | | | EXAB | Dims to dark, XPoint wire-less enabled | | | | | NPLT | Narrow pallet |

| Accessories: Order as separate catalog number. | |
|--|---|
| 2FS4 F916 | Trim to adjust fixture mounting flush with 9/16" T-bar; for 2x4 fixture |
| DGA24 | Drywall ceiling adaptor, unit installation ⁷ |

Notes

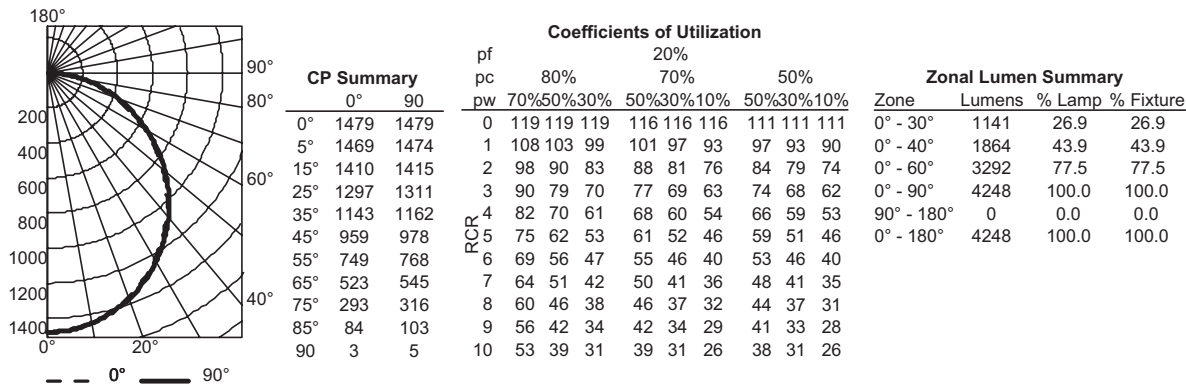
- 1 Approximate lumen output.
- 2 Consult factory for availability. Not available with SLD, EL7L, or EL14L.
- 3 Not available with N80, N80EMG, N100 or N100EMG.
- 4 When using prewire option, use PWS1846.
- 5 nIO access limitations on 30L or EZB.
- 6 For ordering logic consult: [RRL_2013](#).
- 7 When DGA kits are used, order 2FS4 F916 accessory.

2FSL4 LED Recessed Lighting 2'x4'

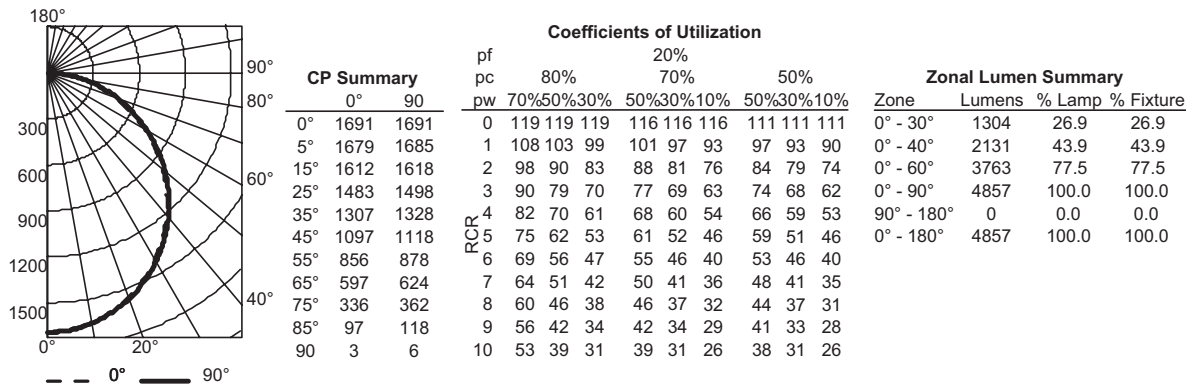
| Performance Data | | | |
|------------------|--------------------------|--------|-----|
| Lumen package | Input watts ¹ | Lumens | LPW |
| 30L LP830 | 30.7 | 3170 | 103 |
| 30L LP835 | 30.8 | 3341 | 108 |
| 30L LP840 | 30.9 | 3430 | 111 |
| 30L LP850 | 31.0 | 3664 | 118 |
| 40L LP830 | 39.2 | 3994 | 102 |
| 40L LP835 | 39.4 | 4247 | 108 |
| 40L LP840 | 39.5 | 4368 | 111 |
| 40L LP850 | 39.6 | 4637 | 117 |
| 48L LP830 | 46.2 | 4596 | 100 |
| 48L LP835 | 46.4 | 4856 | 105 |
| 48L LP840 | 46.6 | 4995 | 107 |
| 48L LP850 | 46.7 | 5347 | 115 |
| 60L LP830 | 52.0 | 5071 | 98 |
| 60L LP835 | 52.2 | 5373 | 103 |
| 60L LP840 | 52.4 | 5531 | 106 |
| 60L LP850 | 52.5 | 5867 | 112 |
| 72L LP830 | 69.5 | 6758 | 97 |
| 72L LP835 | 70.0 | 6847 | 98 |
| 72L LP840 | 70.2 | 7433 | 106 |
| 72L LP850 | 70.3 | 7823 | 111 |

PHOTOMETRICS

2FSL4 40L LP835, test no. LTL24699P5, tested in accordance to IESNA LM-79

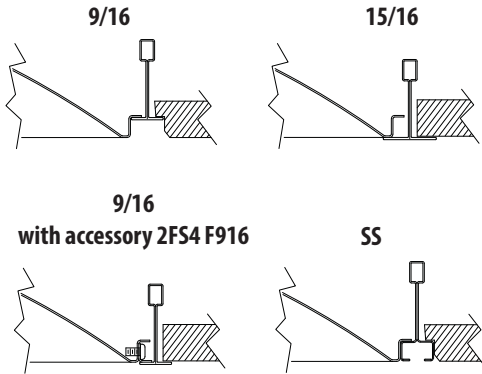


2FSL4 48L LP835, test no. LTL24699P9, tested in accordance to IESNA LM-79



2FSL4 LED Recessed Lighting 2'x4'

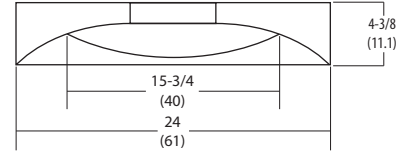
MOUNTING DATA



DIMENSIONS

All dimensions are inches (centimeters) unless otherwise specified.

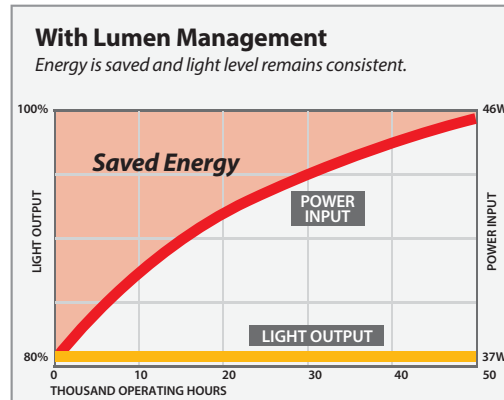
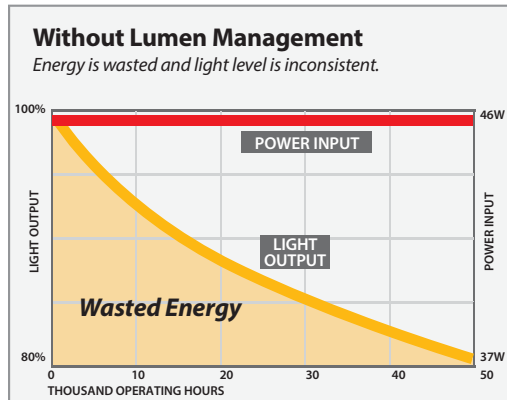
| Specifications |
|---------------------|
| Length: 48 (122.0) |
| Width: 24 (61.0) |
| Depth: 4-3/8 (11.1) |



| nLight® Control Accessories: | | | |
|---|---------------------|--|-----------------------------|
| Order as separate catalog number. Visit www.sensorswitch.com/nLight for complete listing of nLight controls. | | | |
| WallPod stations | Model number | Occupancy sensors | Model number |
| On/Off | nPODM [color] | Small motion 360°, ceiling (PIR / dual tech) | nCM 9 / nCM PDT 9 |
| On/Off & Raise/Lower | nPODM DX [color] | Large motion 360°, ceiling (PIR / dual tech) | nCM 10 / nCM PDT 10 |
| Graphic Touchscreen | nPOD GFX [color] | Wide view (PIR / dual tech) | nWV 16 / nWV PDT 16 |
| Photocell controls | Model number | Wall Switch w/ Raise/Lower (PIR / dual tech) | nWSX LV DX / nWSX PDT LV DX |
| On/Off & Dimming | nCM ADCX | Cat-5 cables (plenum rated) | Model number |
| | | 10', CAT5 10FT | CAT5 10FT J1 |
| | | 15', CAT5 15FT | CAT5 15FT J1 |

Constant Lumen Management

Enabled by the embedded nLight control, the FSL actively tracks its run-time and manages its light source such that constant lumen output is maintained over the system life. Referred to as lumen management, this feature eliminates the energy waste created by the traditional practice of over-lighting.



Notes

With nlight 80% lumen management input watts start at 37 and gradually increasing to 46 at 50,000 hrs when using 48L system.