

## FEATURES & SPECIFICATIONS

### INTENDED USE

The LED Décor round provides an attractive, low-cost, and energy-efficient lighting solution in residential and light commercial applications. Ideal for use in foyers, hallways, bedrooms, closets, offices, utility work areas, stairways and many other areas.

### CONSTRUCTION

Deco-styled fixture with choice of white, brushed nickel or bronze housing and matching decorative center finial. Softly rounded, molded, white glass diffuser for a widespread, uniform illumination. Center finial provides easy access for cleaning and maintenance.

### OPTICS

The 10" produces 960 lumens (3000K), the 14" 1570 lumens at 30,000 hours of life.

### ELECTRICAL

Fixture operates at 120 volts, 60Hz. Standard input = 10": 20 watts, 48 lumens per watt; 14": 30 watts, 52 lumens per watt.

Actual wattage may differ by +/- 5% when operating at 120V +/- 10%.

Works with most standard incandescent dimmers (see list of approved dimmers).

### INSTALLATION

All mounting hardware included.

### LISTINGS

UL Certified to US and Canadian safety standards and listed suitable for damp locations. ENERGY STAR® certified.

### WARRANTY

5-year limited warranty. Complete warranty terms located at [www.acuitybrands.com/CustomerResources/Terms\\_and\\_conditions.aspx](http://www.acuitybrands.com/CustomerResources/Terms_and_conditions.aspx)

**Note:** Actual performance may differ as a result of end-user environment and application. All values are design or typical values, measured under laboratory conditions at 25 °C. Specifications subject to change without notice.

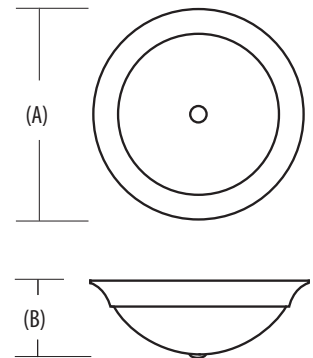
Catalog Number
Notes
Type

Decorative Indoor

# LED Décor Round Flush Mount



ESSENTIALS COLLECTION



	Specifications	
	10"	14"
(A) Width:	9.6 (24.3)	14.1 (35.7)
(B) Extension*:	3.9 (9.8)	5.25 (13.3)
Weight:	2 lbs (.9 kg)	3.5 lbs (1.6 kg)

\* Extension from ceiling.  
All dimensions are inches (centimeters) unless otherwise indicated.

### ORDERING INFORMATION

For shortest lead times, configure product using **bolded options**.

**Example:** FMDECL 10 14830 BN

Series	Module/CRI	Color Temperature	Finish
<b>FMDECL 10</b> 10" Flush mount LED Decor	<b>148</b> > 80 CRI	<b>40</b> 4000K 35 3500K <sup>1</sup>	<b>WH</b> White <b>BN</b> Brushed nickel
<b>FMDECL 14</b> 14" Flush mount LED Decor	<b>208</b> > 80 CRI	<b>30</b> 3000K 27 2700K <sup>1</sup>	<b>BZ</b> Bronze

Accessories/Replacement parts: Order as separate catalog number.	
DFMDECL 10	Glass diffuser, 10"
DFMDECL 14	Glass diffuser, 14"

### Notes

<sup>1</sup> Minimum 90-day lead time for non-standard color temperatures; minimum 50 order quantity.

# LED Decor Flush Mount

## LIGHTING FACTS

**LED lighting facts**  
A Program of the U.S. DOE

Light Output (Lumens) **958**  
Watts **20**  
Lumens per Watt (Efficacy) **47.9**

Color Accuracy  
Color Rendering Index (CRI) **80**

Light Color  
Correlated Color Temperature (CCT) **3000 (Bright White)**

2700K 3000K 4500K 6500K

Warm White Bright White Daylight

All results are according to IESNA LM-79-2008: Approved Method for the Electrical and Photometric Testing of Solid-State Lighting. The U.S. Department of Energy (DOE) verifies product test data and results.

Visit [www.lightingfacts.com](http://www.lightingfacts.com) for the Label Reference Guide.

Registration Number: NJSM-LGT0EG (11/21/2014)  
Model Number: FMDECL 10 14830  
Type: Luminaire - Decorative

**LED lighting facts**  
Lithonia Lighting  
A Program of the U.S. DOE

Light Output (Lumens) **980**  
Watts **20.08**  
Lumens per Watt (Efficacy) **48.8**

Color Accuracy  
Color Rendering Index (CRI) **80**

Light Color  
Correlated Color Temperature (CCT) **4000 (Bright White)**

2700K 3000K 4500K 6500K

Warm White Bright White Daylight

All results are according to IESNA LM-79-2008: Approved Method for the Electrical and Photometric Testing of Solid-State Lighting. The U.S. Department of Energy (DOE) verifies product test data and results.

Visit [www.lightingfacts.com](http://www.lightingfacts.com) for the Label Reference Guide.

Registration Number: NJSM-PUS2VL (11/21/2014)  
Model Number: FMDECL 10 14840  
Type: Luminaire - Decorative

**LED lighting facts**  
Lithonia Lighting  
A Program of the U.S. DOE

Light Output (Lumens) **1569**  
Watts **30**  
Lumens per Watt (Efficacy) **52.3**

Color Accuracy  
Color Rendering Index (CRI) **80**

Light Color  
Correlated Color Temperature (CCT) **3000 (Bright White)**

2700K 3000K 4500K 6500K

Warm White Bright White Daylight

All results are according to IESNA LM-79-2008: Approved Method for the Electrical and Photometric Testing of Solid-State Lighting. The U.S. Department of Energy (DOE) verifies product test data and results.

Visit [www.lightingfacts.com](http://www.lightingfacts.com) for the Label Reference Guide.

Registration Number: NJSM-LCARLW (11/21/2014)  
Model Number: FMDECL 14 20830  
Type: Luminaire - Decorative

**LED lighting facts**  
Lithonia Lighting  
A Program of the U.S. DOE

Light Output (Lumens) **1465**  
Watts **30**  
Lumens per Watt (Efficacy) **48.83**

Color Accuracy  
Color Rendering Index (CRI) **80**

Light Color  
Correlated Color Temperature (CCT) **4000 (Bright White)**

2700K 3000K 4500K 6500K

Warm White Bright White Daylight

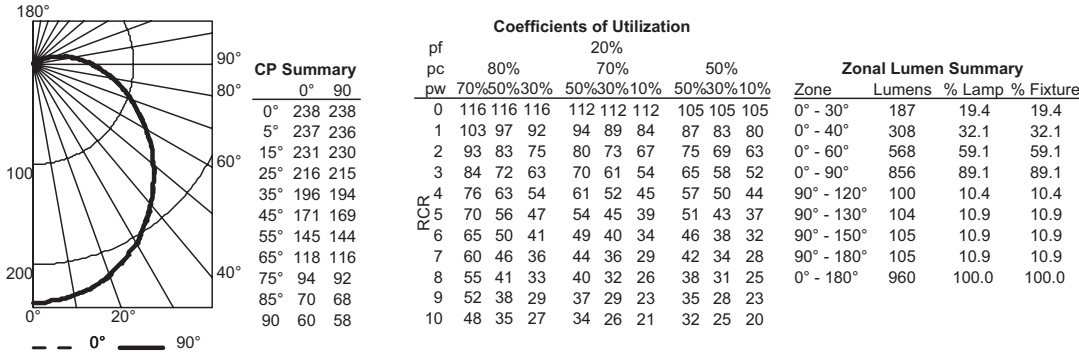
All results are according to IESNA LM-79-2008: Approved Method for the Electrical and Photometric Testing of Solid-State Lighting. The U.S. Department of Energy (DOE) verifies product test data and results.

Visit [www.lightingfacts.com](http://www.lightingfacts.com) for the Label Reference Guide.

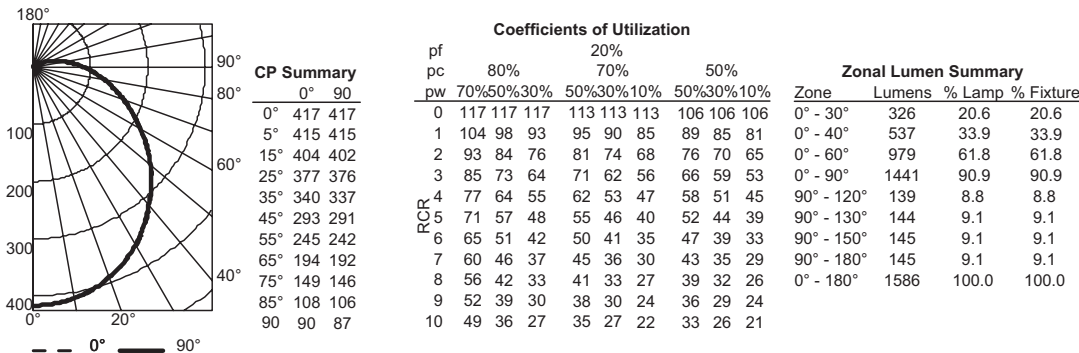
Registration Number: NJSM-S9HLBA (11/21/2014)  
Model Number: FMDECL 14 20840  
Type: Luminaire - Decorative

## PHOTOMETRICS

**FMDECL 10 14830 BZ**, 958.76 delivered lumens, test no. LTL 26568S tested in accordance to IESNA LM-79.



**FMDECL 14 20830 WH**, 1569.27 delivered lumens, test no. LTL 26569S tested in accordance to IESNA LM-79.



### SUGGESTED DIMMERS

The Decor is designed to operate with most standard Triac Based dimmers and is not compatible with 0-10v dimming systems. The following is a list of dimmers tested and does not imply any guarantee or warranty of compatibility with a particular application. Unlisted dimmers do not imply non-compatibility.

Manufacturer	Part number(s)
Lutron	CT-600P/CT-603P
	DV-600P/DV-603P
	CTCL-153P
	DVCL-153P
	AYCL-153P
Leviton	DVELV-300P
	R50-IPL06
Pass & Seymour	6615-P
	HCL453PTCCCV6