

FEATURES & SPECIFICATIONS

INTENDED USE — The FS Series recessed LED luminaire combines modern aesthetics and performance in a general lighting product that enables the transformation from fluorescent to LED. The high efficacy light engine delivers long life and excellent color to ensure a quality lighting installation. Integrated controls options provide for design flexibility and optimum energy savings. Multiple lumen packages and driver options provide solutions for all your lighting applications.

Certain airborne contaminants can diminish integrity of acrylic. [Click here for Acrylic Environmental Compatibility table for suitable uses.](#)

CONSTRUCTION — Rugged, one-piece cold-rolled steel coated polyester, painted after fabrication. The satin white lens provides excellent shielding and wide distribution. End plates include integral T-bar clips. Fixture may be mounted and wired in continuous rows. Total fixture height is only 4-3/8".

ELECTRICAL — Long-life LEDs, coupled with high-efficiency drivers, provide superior illumination for extended service life. 90% LED lumen maintenance at 60,000 hours (L90/60,000). The LEDs have a CRI of 82. eldoLED driver options deliver choice of dimming range, and choices for control, while assuring flicker-free, low-current inrush, 89% efficiency and low EMI.

Optional integrated nLight® controls make each luminaire addressable - allowing it to digitally communicate with other nLight enabled controls such as dimmers, switches, occupancy sensors and photocontrols. Simply connect all the nLight enabled control devices and the FSL luminaires using standard CAT-5 cabling. Unique plug-and-play convenience allows devices and luminaires to automatically discover each other and self-commission.

Lumen Management: Unique lumen management system (option N80) provides onboard intelligence that actively manages the LED light source so that constant lumen output is maintained over the system life, preventing the energy waste created by the traditional practice of over-lighting.

Step-level dimming option allows system to be switched to 50% power for compliance with common energy codes while maintaining fixture appearance.

Driver disconnect provided where required to comply with US and Canadian codes.

INSTALLATION — Unique grid interfacing arrangement provides mounting into standard 1" and 9/16" tee bar or screw slot grids. 9/16" allows fixture trim to hang level with architectural ceiling tiles. Drywall ceiling adaptors available. Suitable for damp location.

LISTINGS — CSA certified to meet US and Canadian standards. IC rated. DesignLights Consortium® (DLC) qualified product. Not all versions of this product may be DLC qualified. Please check the DLC Qualified Products List at www.designlights.org/QPL to confirm which versions are qualified.

WARRANTY — 5-year limited warranty. Complete warranty terms located at www.acuitybrands.com/CustomerResources/Terms_and_conditions.aspx

Note: Actual performance may differ as a result of end-user environment and application.

All values are design or typical values, measured under laboratory conditions at 25 °C.

Specifications subject to change without notice.

Catalog Number
Notes
Type



FS Series

2FSL4

2' x 4'
LED



Stock Configurations
2FSL4 40L EZ1 LP835
2FSL4 40L EZ1 LP840

ORDERING INFORMATION

Lead times will vary depending on options selected. Consult with your sales representative.

Example: 2FSL4 40L EZ1 LP835 N100

2FSL4		Air function		Lumens		Lens		Voltage		Driver		Color temperature		Controls ⁵		Options									
2FSL4	2X4 FSL	(blank)	Static	30L	3000 ¹	(blank)	Satin white	(blank)	MVOLT	EZ1	eldoLED dims to 1%, 0-10V	LP830	3000 K	(blank)	No controls	EL7L	700 lumen battery pack								
				40L	4000 ¹							LP835	3500 K					N80	nlight® with 80% lumen management	EL14L	1400 lumen battery pack				
				48L	4800 ¹							LP840	4000 K												
				60L	6000 ¹							LP850	5000 K									N80EMG	nlight® with 80% lumen management. For use with generator supply EM power.	CP	Chicago plenum
				72L	7200 ¹																				
				EXB	eldoLED DMX/RDM ³							SLD	Step-level dimming ^{3,4}									N100EMG	nlight® without lumen management. For use with generator supply EM power.	PWS1846	6' prewire, 3/8" diameter, 18-gauge, 2-circuit
EXA1	Dims to 1%, XPoint wireless enabled	EXAB	Dims to dark, XPoint wireless enabled			EOHN	On/Off (non-dim)	RRL_	RELOC®-ready luminaire ⁶																
				EXAB	Dims to dark, XPoint wireless enabled					EOHN	On/Off (non-dim)	RRL_	RELOC®-ready luminaire ⁶	NPLT	Narrow pallet										

Accessories: Order as separate catalog number.	
2FS4 F916	Trim to adjust fixture mounting flush with 9/16" T-bar; for 2x4 fixture
DGA24 FS/VT	Drywall ceiling adaptor, unit installation

Notes

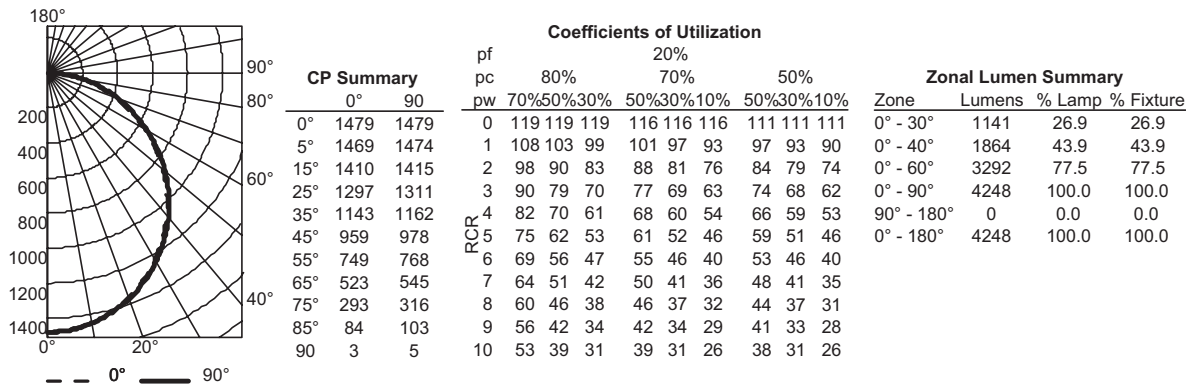
- 1 Approximate lumen output.
- 2 Consult factory for availability. Not available with SLD, EL7L, or EL14L.
- 3 Not available with N80, N80EMG, N100 or N100EMG.
- 4 When using prewire option, use PWS1846.
- 5 nIO access limitations on 30L or EZB.
- 6 For ordering logic consult: [RRL_2013](#).

2FSL4 LED Recessed Lighting 2'x4'

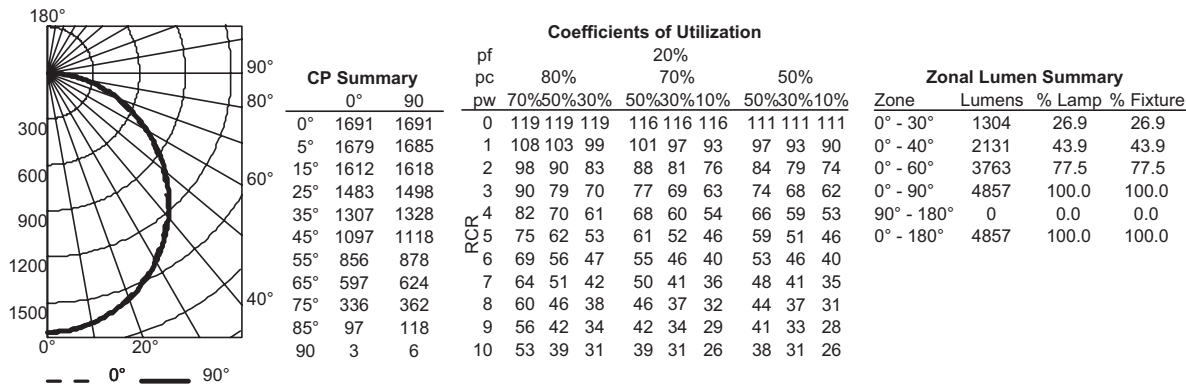
Performance Data			
Lumen package	Input watts ¹	Lumens	LPW
30L LP830	30.7	3170	103
30L LP835	30.8	3341	108
30L LP840	30.9	3430	111
30L LP850	31.0	3664	118
40L LP830	39.2	3994	102
40L LP835	39.4	4247	108
40L LP840	39.5	4368	111
40L LP850	39.6	4637	117
48L LP830	46.2	4596	100
48L LP835	46.4	4856	105
48L LP840	46.6	4995	107
48L LP850	46.7	5347	115
60L LP830	52.0	5071	98
60L LP835	52.2	5373	103
60L LP840	52.4	5531	106
60L LP850	52.5	5867	112
72L LP830	69.5	6758	97
72L LP835	70.0	6847	98
72L LP840	70.2	7433	106
72L LP850	70.3	7823	111

PHOTOMETRICS

2FSL4 40L LP835, test no. LTL24699P5, tested in accordance to IESNA LM-79

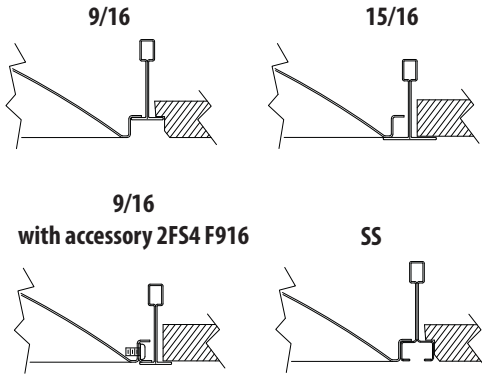


2FSL4 48L LP835, test no. LTL24699P9, tested in accordance to IESNA LM-79



2FSL4 LED Recessed Lighting 2'x4'

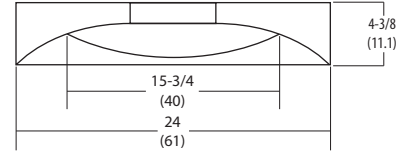
MOUNTING DATA



DIMENSIONS

All dimensions are inches (centimeters) unless otherwise specified.

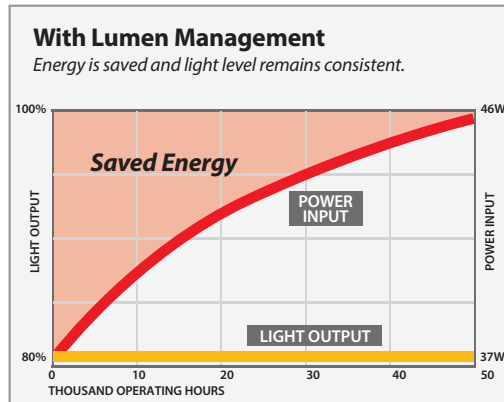
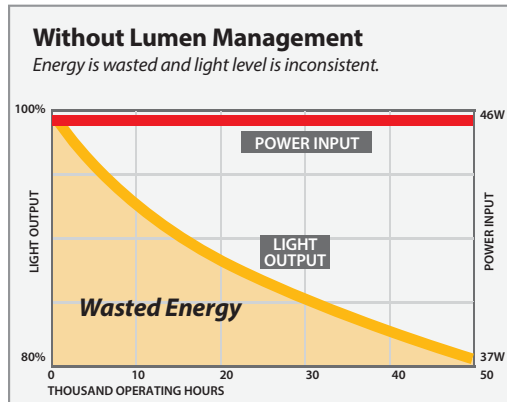
Specifications
 Length: 48 (122.0)
 Width: 24 (61.0)
 Depth: 4-3/8 (11.1)



nLight® Control Accessories:			
Order as separate catalog number. Visit www.sensorswitch.com/nLight for complete listing of nLight controls.			
WallPod stations	Model number	Occupancy sensors	Model number
On/Off	nPODM [color]	Small motion 360°, ceiling (PIR / dual tech)	nCM 9 / nCM PDT 9
On/Off & Raise/Lower	nPODM DX [color]	Large motion 360°, ceiling (PIR / dual tech)	nCM 10 / nCM PDT 10
Graphic Touchscreen	nPOD GFX [color]	Wide view (PIR / dual tech)	nWV 16 / nWV PDT 16
Photocell controls	Model number	Wall Switch w/ Raise/Lower (PIR / dual tech)	nWSX LV DX / nWSX PDT LV DX
On/Off & Dimming	nCM ADCX	Cat-5 cables (plenum rated)	Model number
		10', CAT5 10FT	CAT5 10FT J1
		15', CAT5 15FT	CAT5 15FT J1

Constant Lumen Management

Enabled by the embedded nLight control, the FSL actively tracks its run-time and manages its light source such that constant lumen output is maintained over the system life. Referred to as lumen management, this feature eliminates the energy waste created by the traditional practice of over-lighting.



Notes

With nlight 80% lumen management input watts start at 37 and gradually increasing to 46 at 50,000 hrs when using 48L system.