

Catalog Number
Notes
Type

FEATURES & SPECIFICATIONS

INTENDED USE — The Lithonia Lighting JCBL LED Highbay is the ideal LED solution for users who prefer a luminaire with the look and feel of a round form factor. Available in 18000 or 24,000 lumen packages the JCBL is highly configurable and delivers comfortable and uniform lighting from mounting heights up to 30ft. Gymnasiums, warehouses, packaging facilities and other industrial applications all benefit from JCBL's highly efficient design that saves up to 57+% over traditional sources. **Certain airborne contaminants can diminish the integrity of acrylic and/or polycarbonate.** [Click here for Acrylic-Polycarbonate Compatibility table for suitable uses.](#)

CONSTRUCTION — JCBL features an aluminum heat sink to maximize heat dissipation and extend the life of the luminaire by maximizing contact with the LEDs. A glass optical enclosure (IP65 rated) protects the LEDs from dust and other air contaminants. Reflector options including aluminum, prismatic acrylic and polycarbonate ship separately and easily mount to the heatsink for quick installation.

OPTICS — Reflector and lens options provide maximum versatility and uniformity including up to 8% uplight with reflectors alone. Conical, flat or acrylic drop lenses offer enhanced aesthetics, minimize glare at lower mounting heights and maximize uplight (13%) when paired with acrylic reflectors.

ELECTRICAL — Utilizes 90°C case temperature for maximum life at high temperatures. Less than 20% THD and PF > 90. Integral 6kV/3kA surge protection, tested in accordance to IEEE/ANSI standards. 120-277 voltages standard, 347v and 480v available with use of step down transformer. Lumen maintenance L70 > 55,000 hours. 0-10V dimming standard for a dimming range of 100% to 10% dimming source current is 150 microA.

INSTALLATION — Mounting options include cast hook and cord factory installed or 3/4" NPT threaded hub to accommodate stem or hook options. See accessories for all configurations and options.

LISTINGS — UL1598/CSA C22.2 250, Buy American Act, Damp location listed. Suitable for use in ambient temperatures from 32°F (0°C) to 122°F (50°C).

DesignLights Consortium® (DLC) Premium qualified product and DLC qualified product. Not all versions of this product may be DLC Premium qualified or DLC qualified. Please check the DLC Qualified Products List at www.designlights.org/QPL to confirm which versions are qualified.

WARRANTY — 5-year limited warranty. Complete warranty terms located at: www.acuitybrands.com/CustomResources/Terms_and_conditions.aspx

Note: Actual performance may differ as a result of end-user environment and application. All values are design or typical values, measured under laboratory conditions at 25 °C. Specifications subject to change without notice.

LED Damp Rated High Bay

JCBL

18,000 or 24,000 Lumens

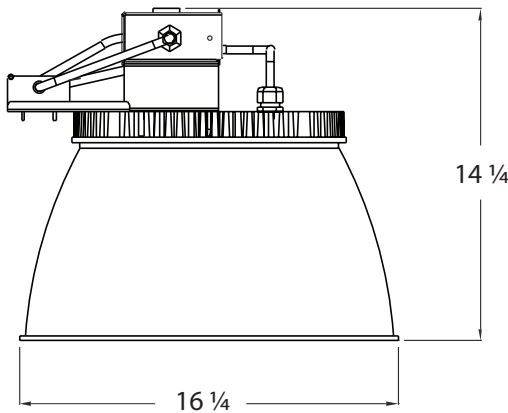


DIMENSIONS

All dimensions are in inches (centimeters) unless otherwise indicated. Dimensions may vary with options or accessories.

Typical weight:

A cartoned luminaire weighs 22 lbs.; unboxed it weighs 20 lbs.



Shown with pendant mounting

JCBL LED Damp Rated High Bay

ORDERING INFORMATION

Lead times will vary depending on options selected. Consult with your sales representative.

Example: JCBL 24000LM SALR MVOLT GZ10 40K 70CRI PM HC6

JCBL					GZ10		
Series	Lumens	Reflector	Lens ¹	Voltage	Driver	Color temperature	Color rendering index
JCBL	18000LM 18,000 lumens 24000LM 24,000 lumens	DALR Diffuse aluminum SALR Specular aluminum ACFR Frosted acrylic ACCR Clear acrylic PLCR Clear polycarbonate	(blank) Open bottom <u>For use with aluminum reflectors</u> ALDRP Drop prismatic ALCON Conical ALFGL Flat prismatic <u>For use with acrylic reflectors</u> ACRDRP Drop prismatic ACRCON Conical ACRFGL Flat prismatic	MVOLT 120-277V 120 120V 208 208V 240 240V 277 277V 347 347V ² 480 480V ²	GZ10 0-10V dimming	40K 4000 K 50K 5000 K	70CRI 70 CRI

Mounting Configurations	Options												
PM Pendant mount	<table border="0"> <tr> <td>EM14 On-board emergency battery pack, 1400 lumens³</td> <td>HKM Hook, male, factory installed</td> </tr> <tr> <td>C6 6' cord</td> <td>LAHOSZU 360° motion sensor, pre-wired; programmable dimming⁴</td> </tr> <tr> <td>HC6 6' cord with male hook, no plug</td> <td>WG Wire guard for open bottom reflectors (ships separately)</td> </tr> <tr> <td>HC6P 6' cord with male hook and NEMA twist lock plug⁴</td> <td>FWG Full wire guard (ships separately).</td> </tr> <tr> <td>SF Single fusing available with 120, 277 or 347 volts only⁴</td> <td></td> </tr> <tr> <td>DF Double fusing available with 208, 240, or 480 volts only⁴</td> <td></td> </tr> </table>	EM14 On-board emergency battery pack, 1400 lumens ³	HKM Hook, male, factory installed	C6 6' cord	LAHOSZU 360° motion sensor, pre-wired; programmable dimming ⁴	HC6 6' cord with male hook, no plug	WG Wire guard for open bottom reflectors (ships separately)	HC6P 6' cord with male hook and NEMA twist lock plug ⁴	FWG Full wire guard (ships separately).	SF Single fusing available with 120, 277 or 347 volts only ⁴		DF Double fusing available with 208, 240, or 480 volts only ⁴	
EM14 On-board emergency battery pack, 1400 lumens ³	HKM Hook, male, factory installed												
C6 6' cord	LAHOSZU 360° motion sensor, pre-wired; programmable dimming ⁴												
HC6 6' cord with male hook, no plug	WG Wire guard for open bottom reflectors (ships separately)												
HC6P 6' cord with male hook and NEMA twist lock plug ⁴	FWG Full wire guard (ships separately).												
SF Single fusing available with 120, 277 or 347 volts only ⁴													
DF Double fusing available with 208, 240, or 480 volts only ⁴													

Accessories: Order as separate catalog number.			
JCBLHKM	Hook, male	JCBLSPM12	Swivel stem kit, 12"
JCBLHKF	Hook, female	JCBLSPM24	Swivel stem kit, 24"
JCBLPH XXX	Power hook ⁴	JCBLSPM36	Swivel stem kit, 36"
JCBLSC120	Safety cable 120"	WGJCBL	Wire guard for use with open bottom reflectors
JCBLSC240	Safety cable 240"	FWGJCBL	Full wire guard

Fixtures ship as multiple components using optimized packaging. Example: (22) JCBL 2400LM SALR MVOLT GZ10 40K 70CRI PM HC6	
(Qty 22)	JCBL 2400LM MVOLT GZ10 40K 70CRI PM HC6 (22 housing cartons)
(Qty 20)	SALR J10 (2 cartons of 10 reflectors)
(Qty 2)	SALR U (2 cartons of 1 reflector)

Notes

- 1 For use in ambient temperatures up to 40°C.
- 2 Utilizes step down transformer.
- 3 120 or 277 volt only
- 4 Must specify voltage.

OPERATIONAL DATA

Lumen package	Input Watts	Ambient rating	Open Reflector	Delivered lumens 4000K CCT, 70CRI	Uplight	Spacing Criteria	Comparable light source
24000LM	200W	32°F (0°C) - 122°F (50°C)	ACFR	25816	7.9%	1.34:1	6-lamp T5HO, 8-lamp T8, 400M HID
			ACCR/PLCR	25926	2.7%	1.36:1	6-lamp T5HO, 8-lamp T8, 400M HID
			SALR	24401	0.1%	1.44:1	6-lamp T5HO, 8-lamp T8, 400M HID
			DALR	23934	0.1%	1.36:1	6-lamp T5HO, 8-lamp T8, 400M HID
18000LM	162W	32°F (0°C) - 122°F (50°C)	ACFR	20508	7.9%	1.34:1	4-lamp T5HO, 6-lamp T8, 320M HID
			ACCR/PLCR	20595	2.7%	1.36:1	4-lamp T5HO, 6-lamp T8, 320M HID
			SALR	19384	0.1%	1.42:1	4-lamp T5HO, 6-lamp T8, 320M HID
			DALR	19013	0.1%	1.36:1	4-lamp T5HO, 6-lamp T8, 320M HID

Delivered uplight			
Reflector option	Flat Lens	Conical Lens	Drop Lens
ACFR	13.6	12.3%	7.9%
ACCR/PLCR	7.7%	5.9%	7.6%
SALR	.2	5.9%	7.7%
DALR	2.0%	12.3%	1.5%

ENERGY SAVINGS

Fixture	Input watts	Traditional HID	Input watts	Watts saved	Yearly energy savings
JCBL 24000LM	200	400W Metal Halide	443	243	\$80
JCBL 18000LM	162	400W Metal Halide	460	297	\$98
		250W Metal Halide	284	121	\$40
Fixture	Input watts	Traditional Fluorescent	Input watts	Watts saved	Yearly energy savings
JCBL 24000LM	200	6 Lamp 54T5HO	326	126	\$41
JCBL 18000LM	162	4 Lamp 54T5HO	225	62	\$21

PHOTOMETRICS

See www.lithonia.com.

OPTIONS AND ACCESSORIES



Aluminum reflector
Available specular (SALR) or diffuse (DALR)



Acrylic frosted reflector (ACFR)



Clear acrylic (ACCR) or polycarbonate reflector (PLCR)



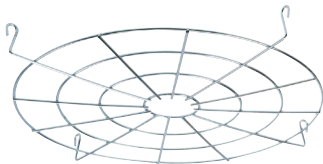
Acrylic drop lens (ACDRP)



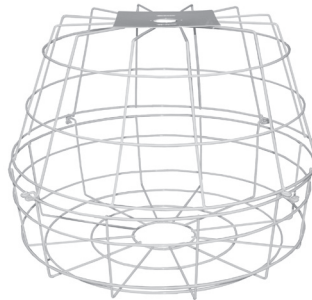
Flat prismatic lens (ALFGL)



Conical lens (ALCON)



Wire Guard (WG)



Full Wire Guard (FWG)



Safety Cable (JCBLSC120 or JCBLSC240)



Cast Hook Female (JCBLHKF)



Cast Hook Male (JCBLHKM)