

Catalog Number
Notes
Type

## FEATURES & SPECIFICATIONS

**INTENDED USE** — The Lithonia Lighting JCBL LED Highbay is the affordable LED solution for users who prefer a luminaire with the look and feel of a round form factor. The JCBL is highly configurable and delivers comfortable and uniform lighting from mounting heights up to 30ft. Gymsnasiums, warehouses, packaging facilities and other industrial applications all benefit from JCBL's highly efficient design that saves up to 57+% over traditional sources. **Certain airborne contaminants can diminish the integrity of acrylic and/or polycarbonate. Click here for Acrylic-Polycarbonate Compatibility table for suitable uses.**

**CONSTRUCTION** — JCBL features an aluminum heat sink to maximize heat dissipation and extend the life of the luminaire by maximizing contact with the LEDs. A glass optical enclosure (IP65 rated) protects the LEDs from dust and other air contaminants. Reflector options including aluminum, prismatic acrylic and polycarbonate ship together and easily mount to the heatsink for quick installation.

**OPTICS** — Reflector and lens options provide maximum versatility and uniformity including up to 8% uplight with reflectors alone. Conical, flat or acrylic drop lenses offer enhanced aesthetics, minimize glare at lower mounting heights and maximize uplight (13%) when paired with acrylic reflectors.

**ELECTRICAL** — Utilizes 90°C case temperature for maximum life at high temperatures. Less than 20% THD and PF >90. Standard 6kV/3kA(120-347v), 10kV/5kA(347-480v) surge protection, tested in accordance to IEEE/ANSI standards. Input voltages include 120-277, 347-480 without the use of a step down transformer. Lumen maintenance L91 at 60,000 hours. 0-10V dimming standard for a dimming range of 100% to 10% dimming source current is 150 microA.

**WIRELESS NETWORKING** — XPoint™ Wireless technology creates a mesh network to ensure communication between fixtures, sensors and wall stations facility-wide. This option provides superior lighting management capabilities including granular control, configuration and custom grouping for increased energy savings.

**INSTALLATION** — Mounting options include steel hook & cord or 3/4" NPT threaded hub to accommodate stem or cast hook options.

**LISTINGS** — UL1598/CSA C22.2 250, Buy American Act, Damp location listed. Suitable for use in ambient temperatures from -40°C up to 55°C.

**WARRANTY** — 5-year limited warranty. Complete warranty terms located at: [www.acuitybrands.com/CustomerResources/Terms\\_and\\_conditions.aspx](http://www.acuitybrands.com/CustomerResources/Terms_and_conditions.aspx)

**Note:** Actual performance may differ as a result of end-user environment and application. All values are design or typical values, measured under laboratory conditions at 25 °C. Specifications subject to change without notice.

LED Damp Rated High Bay

# JCBL

9,000,12,000,15,000,18,000,  
24000, or 30,000 lumens



### A+ Capable Luminaire

This item is an A+ capable luminaire, which has been designed and tested to provide consistent color appearance and out-of-the-box control compatibility with simple commissioning.

- All configurations of this luminaire meet the Acuity Brands' specification for chromatic consistency
- This luminaire is part of an A+ Certified solution for nLight® or XPoint™ Wireless control networks marked by a **shaded background\***

To learn more about A+, visit [www.acuitybrands.com/aplus](http://www.acuitybrands.com/aplus).

\*See ordering tree for details

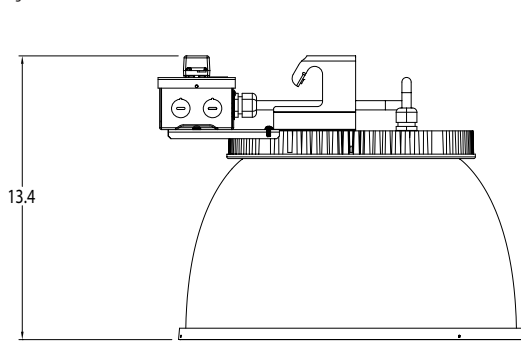
# JCBL LED Damp Rated High Bay

## DIMENSIONS — 9000LM, 12000LM, 15000LM, 18,000LM, 24,000LM PACKAGES

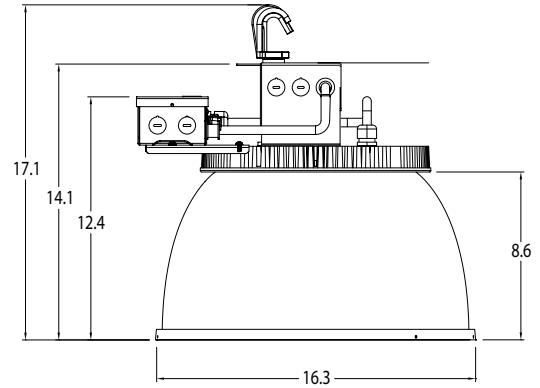
All dimensions are in inches (centimeters) unless otherwise indicated.  
Dimensions may vary with options or accessories.

### Typical weight:

A cartoned luminaire weighs 22 lbs.;  
unboxed it weighs 20 lbs.

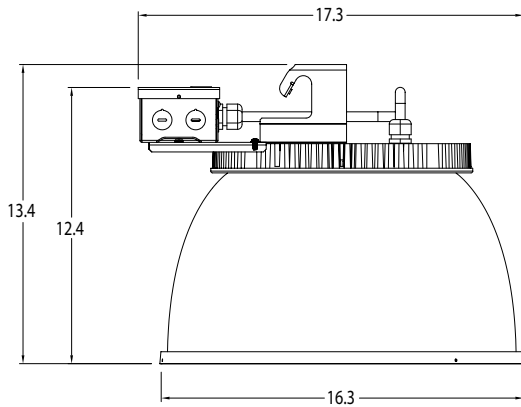


HOOK MOUNT W/ X-POINT

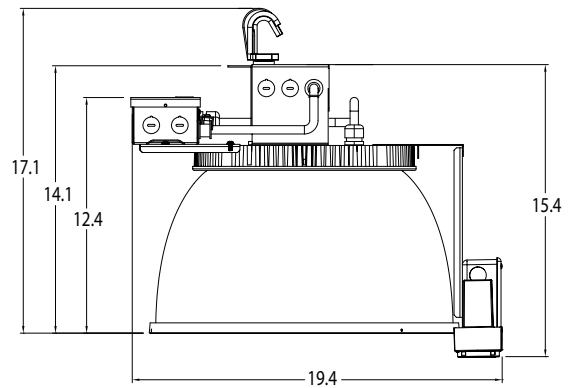


PENDANT MOUNT

\*shown with optional cast hook

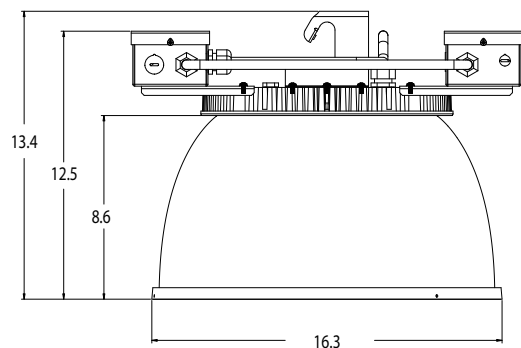


HOOK MOUNT

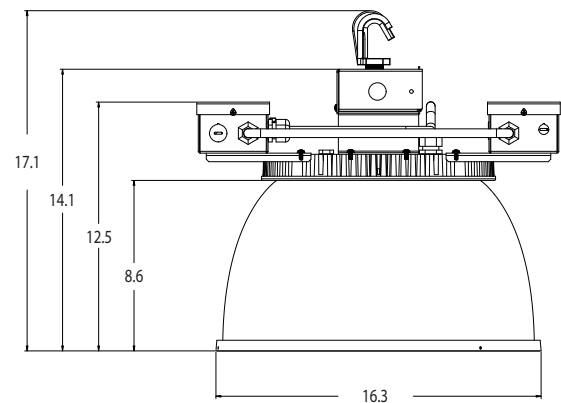


PENDANT MOUNT W/ MOTION SENSOR

\*shown with optional cast hook



HOOK MOUNT



PENDANT MOUNT

\*shown with optional cast hook

# JCBL LED Damp Rated High Bay



A+ Capable options indicated by this color background.

## ORDERING INFORMATION

Lead times will vary depending on options selected. Consult with your sales representative.

**Example:** JCBL 24000LM SALR MVOLT GZ10 40K 70CRI SC6

JCBL					GZ10		
Series	Lumens	Reflector	Lens <sup>1</sup>	Voltage	Driver	Color temperature	Color rendering index
JCBL	9000LM 9,000 lumens	DALR Diffuse aluminum	(blank) Open bottom	MVOLT 120-277V	GZ10 0-10V dimming	30K 3000 K	70CRI 70 CRI
	12000LM 12,000 lumens	SALR Specular aluminum	<u>For use with aluminum reflectors</u>	HVOLT 347-480V		35K 3500 K	80CRI 80 CRI
	15000LM 15,000 lumens	ACFR Frosted acrylic	ALDRP Drop prismatic	120 120V		40K 4000 K	90CRI 90 CRI
	18000LM 18,000 lumens	ACCR Clear acrylic	ALCON Conical	208 208V		50K 5000 K	
	24000LM 24,000 lumens	PLCR Clear polycarbonate	ALFGL Flat prismatic	240 240V			
	30000LM 30,000 lumens		<u>For use with acrylic reflectors</u>	277 277V			
			ACRDRP Drop prismatic	347 347V			
			ACRCON Conical	480 480V			
			ACRFGL Flat prismatic				

Mounting Configurations		Options					
PM	Pendant mount	C6	6' cord	PS750DL	Emergency battery back-up, approximately 800 lumens (not available with 347V, 480V or HVOLT) <sup>3,6</sup>	NPP16D	nLight® switching/dimming module <sup>3,8</sup>
SC6	Steel hook & 6' cord <sup>2</sup>	C6PN	6' cord with straight blade plug (not available with PS750DL) <sup>3,5</sup>	HKM	Hook, male, factory installed <sup>7</sup>	NPP16DER	nLight® switching/dimming module with emergency relay <sup>3,8,9</sup>
SC6P	6' cord with male steel hook and NEMA twist lock plug (not available with PS750DL) <sup>3,4,5</sup>	HC6	6' cord with male cast hook, no plug (only available with pendant mount)	WG	Wire guard for open bottom reflectors (ships separately)	MSI6XADL DSCXADL	360° XPoint™ wireless motion sensor with photocell <sup>3,9,10</sup>
SC6PN	Steel hook with 6' straight blade cordset	HC6P	6' cord with male cast hook and NEMA twist lock plug (not available with PS750DL) <sup>3,4</sup>	FWG	Full wire guard (ships separately)	MSI10XADL DSCXADL	60° XPoint™ wireless motion sensor with photocell <sup>3,9,10</sup>
		HC6PN	6' cord with male cast hook and straight blade cord (not available with PS750DL) <sup>3,4,5</sup>	LCOZU	Aisle motion sensor, pre-wired <sup>3</sup>	XAD	Integral factory installed XPoint™ wireless 0-10V dimming relay <sup>3,9,10</sup>
		HC6P20	6' cord with male cast hook and 20 amp plug (not available with PS750DL) <sup>3</sup>	LCHOSZU	Aisle motion sensor, pre-wired; programmable dimming <sup>3</sup>	XAD924	Integral factory installed XPoint™ wireless, 0-10V dimming with Emergency relay <sup>3,9,10</sup>
		CS6G16STOW5D	6' white cord, 16/5, no plug, wet location, includes low voltage dimming wires	LCPZU	Aisle motion sensor with photocell; pre-wired <sup>3</sup>		
		HOCS	Hook, 5' RELOC® OCS <sup>3</sup> (only available with pendant mount)	LAOZU	360° motion sensor, pre-wired <sup>3</sup>		
		OCS	5' RELOC® OCS <sup>3</sup>	LAHOSZU	360° motion sensor, pre-wired; programmable dimming <sup>3</sup>		
		SF	Single fusing available with 120, 277 or 347 volts only <sup>3</sup>	LAPZU	360° motion sensor with photocell, pre-wired <sup>3</sup>		
		DF	Double fusing available with 208, 240, or 480 volts only <sup>3</sup>				

**Accessories:** Order as separate catalog number.

JCBLHKM	Hook, male	JCBLSPM12	Swivel stem kit, 12", silver finish
JCBLHKF	Hook, female	JCBLSPM24	Swivel stem kit, 24", silver finish
JCBLPH XXX	Power hook <sup>3</sup>	JCBLSPM36	Swivel stem kit, 36", silver finish
JCBLSC120	Safety cable 120"	WGJCBL	Wire guard for use with open bottom reflectors
JCBLSC240	Safety cable 240"	FWGJCBL	Full wire guard <sup>7</sup>

### Notes

- For use in ambient temperatures up to 40°C.
- Not available with FWG. When ordering 30,000 with SF, not available with SF or DF option.
- Must specify voltage.
- 120-277V utilizes a 15-amp plug, 347-480 utilizes a 20-amp plug (standard).
- Not available with 480V.
- Not available with 30,000LM.
- Must have PM option.
- Available with 120-347V only.
- Not available with 30,000LM at 347V or 480V.
- Utilize step down transformer when ordered with 347 or 480V.

# JCBL LED Damp Rated High Bay

## OPERATIONAL DATA

Lumen package	Input Watts	Ambient rating	Open Reflector	Delivered lumens 3000K CCT, 70CRI	Delivered lumens 3500K CCT, 70CRI	Delivered lumens 4000K CCT, 70CRI	Delivered lumens 5000K CCT, 70CRI	Delivered lumens 3000K CCT, 80CRI	Delivered lumens 3500K CCT, 80CRI	Delivered lumens 4000K CCT, 80CRI	Delivered lumens 5000K CCT, 80CRI	Delivered lumens 3000K CCT, 90CRI	Delivered lumens 3500K CCT, 90CRI	Delivered lumens 4000K CCT, 90CRI	Delivered lumens 5000K CCT, 90CRI	Comparable light source
30000LM	243W	(-40°F,-40°C) 122°F (50°C)	ACFR	28,669	29,480	30,291	30,291	27,046	27,857	28,398	28,398	22,178	22,989	23,800	23,800	8-lamp T5HO, 400W HID
			ACCR	28,628	29,438	30,248	30,248	27,007	27,817	28,358	28,358	22,146	22,956	23,766	23,766	
			SALR	26,602	27,354	28,107	28,107	25,096	25,849	26,351	26,351	20,579	21,331	22,084	22,084	
			DALR	26,250	26,993	27,736	27,736	24,765	25,508	26,003	26,003	20,307	21,050	21,793	21,793	
			PLCR	26,658	27,412	28,167	28,167	25,149	25,903	26,406	26,406	20,622	21,377	22,131	22,131	
24000LM	193W	(-40°F,-40°C) 122°F (50°C)	ACFR	22,901	23,549	24,198	24,198	21,605	22,253	22,685	22,685	17,716	18,364	19,012	19,012	6-lamp T5HO, 8-lamp T8, 400W HID
			ACCR	22,885	23,532	24,180	24,180	21,589	22,237	22,669	22,669	17,703	18,351	18,999	18,999	
			SALR	21,202	21,802	22,403	22,403	20,002	20,602	21,002	21,002	16,402	17,002	17,602	17,602	
			DALR	21,034	21,629	22,224	22,224	19,843	20,438	20,835	20,835	16,271	16,867	17,462	17,462	
			PLCR	21,309	21,912	22,515	22,515	20,102	20,706	21,108	21,108	16,484	17,087	17,690	17,690	
18000LM	140W	(-40°F,-40°C) 135°F (55°C)	ACFR	17,354	17,845	18,337	18,337	16,372	16,863	17,191	17,191	13,425	13,916	14,407	14,407	4-lamp T5HO, 6-lamp T8, 400W HID
			ACCR	17,218	17,705	18,192	18,192	16,243	16,730	17,055	17,055	13,319	13,807	14,294	14,294	
			SALR	15,897	16,347	16,797	16,797	14,997	15,447	15,747	15,747	12,298	12,747	13,197	13,197	
			DALR	15,917	16,367	16,818	16,818	15,016	15,466	15,767	15,767	12,313	12,764	13,214	13,214	
			PLCR	16,168	16,626	17,083	17,083	15,253	15,711	16,016	16,016	12,507	12,965	13,423	13,423	
15000LM	119W	(-40°F,-40°C) 135°F (55°C)	ACFR	14,408	14,815	15,223	15,223	13,592	14,000	14,272	14,272	11,145	11,553	11,961	11,961	4-lamp T5HO, 6-lamp T8
			ACCR	14,322	14,727	15,132	15,132	13,511	13,916	14,187	14,187	11,079	11,484	11,890	11,890	
			SALR	13,252	13,627	14,002	14,002	12,502	12,877	13,127	13,127	10,252	10,627	11,002	11,002	
			DALR	13,245	13,620	13,994	13,994	12,495	12,870	13,120	13,120	10,246	10,621	10,996	10,996	
			PLCR	13,451	13,832	14,213	14,213	12,690	13,071	13,325	13,325	10,406	10,787	11,167	11,167	
12000LM	90W	(-40°F,-40°C) 135°F (55°C)	ACFR	11,567	11,894	12,221	12,221	10,912	11,239	11,457	11,457	8,948	9,275	9,602	9,602	4-lamp T8, 250W HID
			ACCR	11,470	11,794	12,119	12,119	10,821	11,145	11,362	11,362	8,873	9,198	9,522	9,522	
			SALR	10,600	10,900	11,200	11,200	10,000	10,300	10,500	10,500	8,200	8,500	8,800	8,800	
			DALR	10,556	10,854	11,153	11,153	9,958	10,257	10,456	10,456	8,166	8,465	8,763	8,763	
			PLCR	10,752	11,056	11,361	11,361	10,143	10,448	10,650	10,650	8,318	8,622	8,926	8,926	
9000LM	67W	(-40°F,-40°C) 135°F (55°C)	ACFR	8,624	8,868	9,112	9,112	8,136	8,380	8,543	8,543	6,672	6,916	7,160	7,160	2-lamp T5HO
			ACCR	8,552	8,794	9,036	9,036	8,068	8,310	8,471	8,471	6,616	6,858	7,100	7,100	
			SALR	7,903	8,127	8,351	8,351	7,456	7,680	7,829	7,829	6,114	6,338	6,561	6,561	
			DALR	7,871	8,093	8,316	8,316	7,425	7,648	7,796	7,796	6,089	6,311	6,534	6,534	
			PLCR	8,017	8,244	8,471	8,471	7,563	7,790	7,941	7,941	6,202	6,429	6,655	6,655	

Delivered upright			
Reflector option	Flat Lens	Conical Lens	Drop Lens
ACFR	13.6	12.3%	7.9%
ACCR/PLCR	7.7%	5.9%	7.6%
SALR	.2	5.9%	7.7%
DALR	2.0%	12.3%	1.5%

## PROJECTED LUMEN MAINTENANCE

Operating hours	0	25,000	35,000	50,000	60,000	75,000	100,000
Lumen maintenance factor	1	0.93	0.93	0.92	0.91	0.9	0.89

## JCBL LAT FACTORS

Avg. Ambient Temperature	25 °C	30 °C	35 °C	40 °C	45 °C	50 °C	55 °C
Lumen Output Factor	1	0.99	0.98	0.97	0.96	0.95	0.93

## REFLECTORS AND LENSES



Aluminum reflector  
Available specular (SALR) or diffuse (DALR)



Acrylic frosted reflector (ACFR)



Clear acrylic (ACCR) or polycarbonate reflector (PLCR)



Acrylic drop lens (ACDRP)

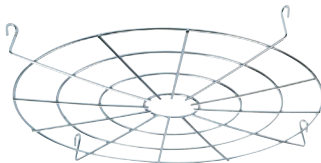


Flat prismatic lens (ALFGL)

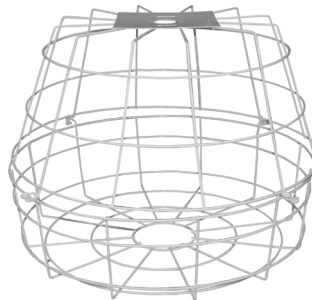


Conical lens (ALCON)

## OPTIONS AND ACCESSORIES



Wire Guard (WG)



Full Wire Guard (FWG)



Safety Cable (JCBLSC120 or JCBLSC240)



Cast Hook Female (JCBLHKF)



Cast Hook Male (JCBLHKM)

**SELECTIONS BELOW WILL EXTEND ORDER LEAD TIME. CONSULT YOUR SALES REPRESENTATIVE FOR DETAILS.**

## SINGLE RELAY

### ORDERING INFORMATION

**Example: LAHOSZU**

Series	Lens option	Dimming/Photocell	Max. dim level	Min. dim level	Temp/Humidity	Default occupancy time delay
L LSXR passive infrared indoor occupancy sensor	A High mount, 360°	O None <sup>1</sup>	0 10 VDC	S Minimum dim level of ballast	Z None T Low temperature <sup>2</sup>	I 30 sec
		H High/low occupancy operation	9 9 VDC	1 1 VDC		D 2.5 min
	B Low mount, 360°	P Switching photocell (on/off) <sup>1</sup>	8 8 VDC	2 2 VDC		X 5.0 min
		M Dimming and switching photocell	7 7 VDC	3 3 VDC		R 7.5 min
	C High mount aisleway	G Dimming and switching photocell with high/low occupancy operation		4 4 VDC		U 10.0 min (with minimum 15 minute on time)
				5 5 VDC		V 15.0 min
				6 6 VDC		W 20.0 min
				Y 30.0 min		

#### Notes

- 1 Max and min dim levels not applicable with this option.
- 2 Ambient temperature rating of -4°F (-20°C) to 131°F (55°C).

## DUAL RELAY (Available with 120, 277, and 347V only)

### ORDERING INFORMATION

**Example: LA2KZU**

Series	Lens option	Poles	Operating mode	Temp/Humidity	Default occupancy time delay
L LSXR passive infrared indoor occupancy sensor	A High mount, 360° B Low mount, 360° C High mount aisleway	2 Dual relay	J None	Z None T Low temperature <sup>1</sup>	I 30 sec
			K Alternating off relays (promotes even lamp wear)		D 2.5 min
			O Alternating off relays w/photocell		X 5.0 min
			P Switching photocell(on/off)		R 7.5 min
			E Photocell on/off (pole 1 only)		U 10.0 min (with minimum 15 minute on time)
			F Photocell on/off - both poles (dual set-point)		V 15.0 min
					W 20.0 min
					Y 30.0 min

#### Notes

- 1 Ambient temperature rating of -4°F (-20°C) to 131°F (55°C).

### Example: LENS 50 J100

Replacement lenses: Order as separate catalog number.		
Series	Lens type	Package quantity
LENS	6 High mount 360°	[blank] Single Lens
	10 Low mount 360°	J10 10-pack
	50 High mount aisleway	J100 100-pack

# JCBL LED Damp Rated High Bay

## Stock Configurations (Hook-and-Cord)

Distributor Pack includes housing and reflector.

	CI Code	Stock Description	UPC	Long Description
Diffused Aluminum Reflectors	*241LL2	JCBL 12L DALR MV 40K SC6	00190887368697	12,000 lumen JCBL LED high bay - diffused aluminum reflector, MVOLT, 4000K CCT, 70 CRI
	241LL4	JCBL 12L DALR MV 50K SC6	00190887368727	12,000 lumen JCBL LED high bay - diffused aluminum reflector, MVOLT, 5000K CCT, 70 CRI
	*241LLN	JCBL 18L DALR MV 40K SC6	00190887368871	18,000 lumen JCBL LED high bay - diffused aluminum reflector, MVOLT, 4000K CCT, 70 CRI
	*241LLT	JCBL 18L DALR MV 50K SC6	00190887368888	18,000 lumen JCBL LED high bay - diffused aluminum reflector, MVOLT, 5000K CCT, 70 CRI
	*241LLU	JCBL 24L DALR MV 40K SC6	00190887368901	24,000 lumen JCBL LED high bay - diffused aluminum reflector, MVOLT, 4000K CCT, 70 CRI
	*241LLV	JCBL 24L DALR MV 50K SC6	00190887368918	24,000 lumen JCBL LED high bay - diffused aluminum reflector, MVOLT, 5000K CCT, 70 CRI

Frosted Acrylic Reflectors	*241LLX	JCBL 12L ACFR MV 40K SC6	00190887368925	12,000 lumen JCBL LED high bay - frosted acrylic reflector, MVOLT, 4000K CCT, 70 CRI
	*241LLY	JCBL 12L ACFR MV 50K SC6	00190887368949	12,000 lumen JCBL LED high bay - frosted acrylic reflector, MVOLT, 5000K CCT, 70 CRI
	*241LM0	JCBL 18L ACFR MV 40K SC6	00190887368932	18,000 lumen JCBL LED high bay - frosted acrylic reflector, MVOLT, 4000K CCT, 70 CRI
	*241LM2	JCBL 18L ACFR MV 50K SC6	00190887368963	18,000 lumen JCBL LED high bay - frosted acrylic reflector, MVOLT, 5000K CCT, 70 CRI
	*241LM3	JCBL 24L ACFR MV 40K SC6	00190887369007	24,000 lumen JCBL LED high bay - frosted acrylic reflector, MVOLT, 4000K CCT, 70 CRI
	*241LTK	JCBL 24L ACFR MV 50K SC6	00190887370492	24,000 lumen JCBL LED high bay - frosted acrylic reflector, MVOLT, 5000K CCT, 70 CRI

## PHOTOMETRICS

See [www.lithonia.com](http://www.lithonia.com).