

### PRODUCT OVERVIEW



### Features:

Die-cast aluminum housing and spun aluminum hood for long-life performance

Optical assembly designed for maximum performance

Multi-gasketing to provide weatherproof protection of optical assembly for full illumination performance

Hinged hood and captive screw latching provision afford quick, easy access to electrical and optical area for relamping or servicing

Available with two different style hoods and an added scroll option for a more decorative look

Cone mounting fitter with three set screws allows secure installation to pole sizes 2-3/8" or 3" O.D.

Refractor available in tempered glass, acrylic and polycarbonate

Available in a variety of IES light distributions patterns

E39 mogul base socket standard

All electrical components warranted by American Electric Lighting's 6-year guarantee

Complies with ANSI: C136.2, C136.10, C136.15, C136.16

Suitable for -30°C MH / -40°C HPS

### Applications:

Streetscapes  
Walkways  
Pathways  
Parks

### PREFERRED SELECTION CATALOG NUMBERS

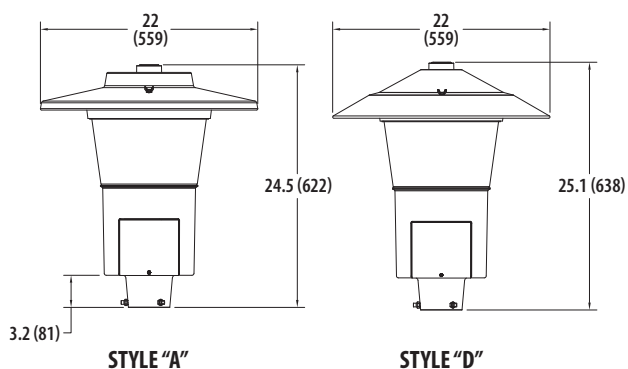
245 10S RN 120 R5 AY

245 15S RN 120 R5 AY

245 25S CA MT1 R5 GL

245 15S CA MT1 R5 AY

### DIMENSIONS

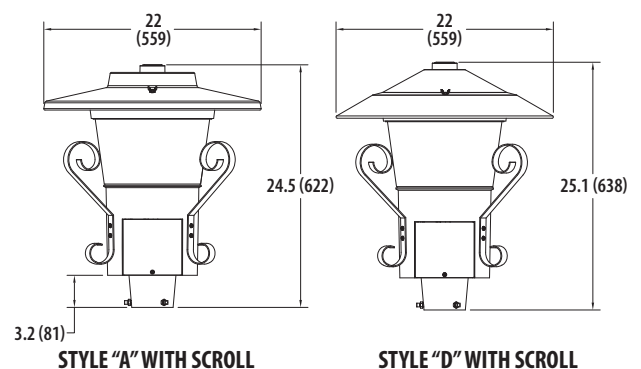


#### Effective Projected Area (EPA)

The EPA for the Contempo Series 245 is 1.3 sq. ft.  
Approx. Wt. = 32 lbs.

### DIMENSIONS

#### SCROLL DESIGN OPTION



#### Effective Projected Area (EPA)

The EPA for the Decorative Scroll Option is 1.8 sq. ft.  
Approx. Wt. = 32 lbs.

# Contempo

## Series 245

50-400W HPS, 70-400W MH

### ORDERING INFORMATION

Example: 245 10S RN 120 R3 GL SD PC

Series	Wattage / Source		Ballast	Voltage	Distribution
245 Contempo Post Top	05	50W	S	HPS	R2 Type II
	07	70W	M	MH <sup>1</sup>	R3 Type III
	10	100W			R5 Type V
	13	100/150 Wired 100			Refer to optical matrix below for compatibility
	14	100/150 Wired 150			
	15	150W			
	17	175W			
	25	250W			
	31	310W			
	40	400W			
		RN	Reactor Normal Power Factor	120 120V	
		RH	Reactor High Power Factor	208 208V	
		XN	High Reactance / Lag Normal Power Factor	240 240V	
		XH	High Reactance / Lag High Power Factor	277 277V	
		CA	CWA <sup>1</sup>	480 480V	
		CT	CWI	MT1 Multi-tap Wired 120V	
		SC	SCWA	MT2 Multi-tap Wired 240V	
		MR	Mag Reg (3 coil)	MT7 Multi-tap Wired 277V	
				MT8 Multi-tap wired 208V	
				TT3 Tri-tap Wired 347V	
				DT2 Dual Tap 120/240 wired 240V	
				5T4 5-tap Wired 480V <sup>2</sup>	

Ⓔ See ballast matrix for EISA compliant options

#### Options

<b>Paint</b> <sup>4</sup>	<b>Starter</b> <sup>8</sup>
(blank) Gray (standard)	(blank) Open Board (standard)
<b>BK</b> Black	<b>EC</b> Encapsulated Plug-in
<b>DDB</b> Dark Bronze	<b>OP</b> Open Plug-in
<b>WH</b> White	
<b>BZ</b> Bronze	
<b>Terminal Block</b>	<b>Hood Style</b>
(blank) Terminal Block (standard)	(blank) Style A
<b>T2</b> Wired to L1 & L2 Positions	<b>SD</b> Style D
<b>T3</b> 3 Wire Operation (L1, N, L2 Position) <sup>5</sup>	
	<b>Misc.</b>
<b>Listing</b>	<b>PC</b> Photocontrol Included per Voltage Specified <sup>7</sup>
<b>UL</b> UL Listed	<b>SS</b> Stainless Steel Hardware
	<b>NL</b> NEMA Label
<b>Fusing</b> <sup>6</sup>	<b>DD</b> Decorative Scroll Design <sup>9</sup>
<b>SF</b> Single Fuse (120, 277, 347V)	<b>SH</b> Shorting Cap <sup>7</sup>
<b>DF</b> Double Fuse (208, 220, 240, 480V)	

- Notes:**
- Compliant with DOE/EISA regulations starting February 10, 2017.
  - Available in 250W and 400W only.
  - Available 250W maximum.
  - Other colors available, please contact your local American Electric Lighting representative.
  - T3 option only available with 240, 480, DT2, DT4, MT2.
  - Not available in MT, TT, DT, voltages; voids UL listing.
  - PC and SH not available with NR option.
  - Available in HPS only.
  - Scroll color must be specified.

#### Optic Distribution

	R2 AY	R3 AY	R5 AY	R2 PY	R3 PY	R5 PY	R2 GL	R3 GL	R5 GL
05S	▲	▲	▲	▲	▲	▲	▲	▲	▲
07S	▲	▲	▲	▲	▲	▲	▲	▲	▲
10S	▲	▲	▲	▲	▲	▲	▲	▲	▲
10M	▲	▲	▲	▲	▲	▲	▲	▲	▲
13S	▲	▲	▲	▲	▲	▲	▲	▲	▲
14S	▲	▲	▲	▲	▲	▲	▲	▲	▲
15S	▲	▲	▲	▲	▲	▲	▲	▲	▲
15M	▲	▲	▲	▲	▲	▲	▲	▲	▲
20S	▲	▲	▲	▲	▲	▲	▲	▲	▲
25S	▲	▲	▲	▲	▲	▲	▲	▲	▲
25M	▲	▲	▲	▲	▲	▲	▲	▲	▲
31S	-	-	-	-	-	-	▲	▲	▲
40S	-	-	-	-	-	-	▲	▲	▲
40M	-	-	-	-	-	-	▲	▲	▲



AEL Headquarters, 3825 Columbus Road, Granville, OH 43023  
www.americanelectriclighting.com

© 2009-2017 Acuity Brands Lighting, Inc. All Rights Reserved. DL-245 Rev. 08/15/17

**Warranty** Six-year limited warranty. Complete warranty terms located at: [www.acuitybrands.com/CustomerResources/Terms\\_and\\_conditions.aspx](http://www.acuitybrands.com/CustomerResources/Terms_and_conditions.aspx)  
Actual performance may differ as a result of end-user environment and application. Specifications subject to change without notice.

Please contact your sales representative for the latest product information.

### BALLAST MATRIX

#### Contempo Series 245

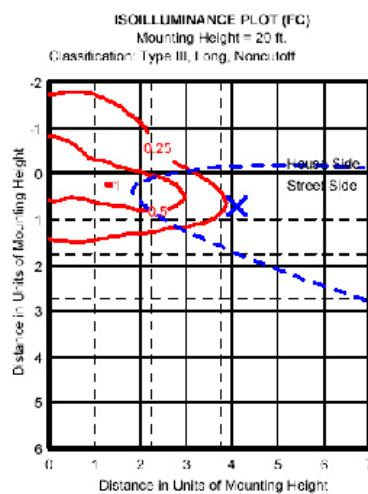
Wattage	120	208	240	277	347	480	DT2
05S	RH, RN	XH, XN	XH, XN	XH, XN	-	-	XH, XN
07S	CA, CT, MR, RH, RN	CA, CT, XH, XN	CA, CT, MR, XH, XN	CA, XH, XN	CA, XH, XN	XH, XN	CA, CT, MR, XH, XN
07M	XH	XH	XH	XH	-	-	XH
10S	CA, CT, MR, RH, RN	CA, CT, XH, XN	CA, CT, MR, XH, XN	XH, XN	CT, XH, XN	CA	CA, CT, MR, XH, XN
10M	XH	XH	XH	XH	XH, XN	-	XH
13S	RH, RN	-	-	-	-	-	-
14S	RH, RN	-	-	-	-	-	-
15S	CA, CT, MR, RH, RN	CA, CT, XH, XN	CA, CT, MR, XH, XN	CA, XH, XN	CT, XH, XN	CA	CA, CT, MR, XH, XN
15M	SC, XH, XN	XH, XN	XH, XN	XH, XN	XH	SC, MR	-
17M	SC	SC	SC	SC	-	SC	SC
20S	CA, CT, MR, XH, XN	CA, CT	CA, CT, MR, XH, XN	CA, CT	CA	CA, MR	CA, CT, MR, XH, XN
25S	CA, CT, MR, XH, XN	CA, CT	CA, CT, MR, RH, RN	CA, CT	CA	CA, CT, MR	CA, CT, MR, XH, XN
25M	SC	SC	SC	SC	SC	SC	SC
31S	CA, MR	CA	CA, MR	-	-	MR	CA, MR
40S	CA, CT, MR	CA, CT, RH, RN	CA, CT, MR, RH, RN	CA	CA	CA, CT, MR	CA, CT, MR
40M	SC	SC	SC	SC	-	SC	SC

#### Contempo Series 245 continued

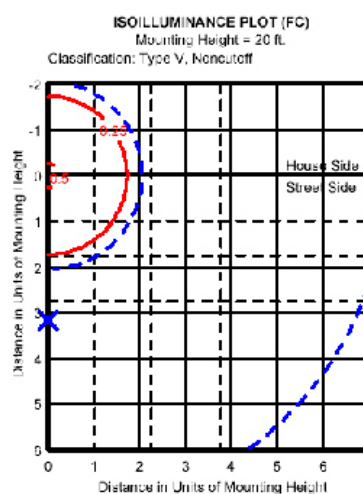
Wattage	MT1	MT2	MT7	MT8	TT3	5T4
05S	XH, XN	XH, XN	XH, XN	XH, XN	-	-
07S	CA, XH, XN	CA, XH, XN	CA, XH, XN	CA, XH, XN	-	-
07M	XH	XH	XH	XH	XH, XN	-
10S	CA, XH, XN	CA, XH, XN	CA, XH, XN	CA, XH, XN	-	-
10M	XH	XH	XH, XN	XH, XN	XH, XN	-
13S	-	-	-	-	-	-
14S	-	-	-	-	-	-
15S	CA, XH, XN	CA, XH, XN	CA, XH, XN	CA, XH, XN	-	-
15M	SC, XH, XN	XH, XN	XH, XN	XH, XN	XH, XN	-
17M	SC	SC	SC	SC	-	-
20S	CA, CT	CA, CT	CA, CT	CA, CT	CA	-
25S	CA, CT	CA, CT	CA, CT	CA, CT	CA, CT	CA
25M	SC	SC	SC	SC	-	-
31S	CA	CA	CA	CA	-	-
40S	CA	CA	CA	CA	CA	CA
40M	SC	SC	SC	SC	SC	-

### PHOTOMETRICS

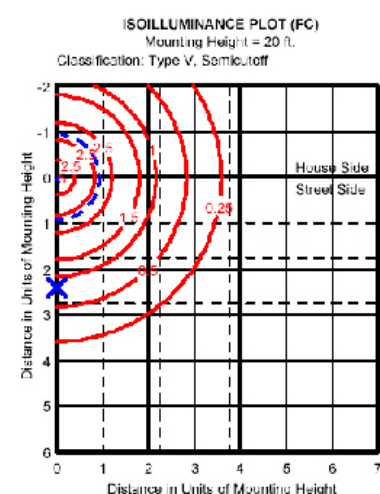
245 15S R3 AY



245 10S R5 AY



245 40S R5 GL



X Maximum Intensity  
--- 1/2 Maximum Intensity



AEL Headquarters, 3825 Columbus Road, Granville, OH 43023  
www.americanelectricalighting.com

© 2009-2017 Acuity Brands Lighting, Inc. All Rights Reserved. DL-245 Rev. 08/15/17

**Warranty** Six-year limited warranty. Complete warranty terms located at:  
[www.acuitybrands.com/CustomerResources/Terms\\_and\\_conditions.aspx](http://www.acuitybrands.com/CustomerResources/Terms_and_conditions.aspx)  
Actual performance may differ as a result of end-user environment and application.  
Specifications subject to change without notice.

*Please contact your sales representative for the latest product information.*