

# TECHNICAL INFORMATION BULLETIN

## ELECTRONIC LINEAR FLUORESCENT BALLAST PROGRAM RAPID START T8

### ORDERING INFORMATION

Order code: 31545  
 Description: E432T8PRS120-277/L  
 UPC: 69549315457  
 Warranty: 5 years

### GENERAL INFORMATION

Ballast type: Electronic  
 Starting method: Program Rapid Start  
 Lamp connection: Series/Parallel  
 Input voltage: 120-277V  
 Input frequency: 50/60HZ  
 Max. case temp.: 75 °C  
 Status: Active  
 Safety approval: 31545STD



#### SPECIFICATIONS AT 120V

Lamp type	Number of lamps	Rated lamp watts	Min. start temp. (°F / °C)	Input current (A)	Input power (ANSI watts)	Ballast factor	Max THD %	Power factor	Max. lamp current crest factor	B.E.F.
F32T8	4	32	32/0	0.86	101	0.78	10	0.99	1.7	0.77
F25T8	4	25	32/0	0.70	84	0.80	10	0.99	1.7	0.95
F17T8	4	17	32/0	0.52	63	0.85	10	0.99	1.7	1.35
F32T8	3	32	32/0	0.65	78	0.87	10	0.99	1.7	1.12
F25T8	3	25	32/0	0.58	68	0.89	10	0.99	1.7	1.31
F17T8	3	17	32/0	0.43	51	0.94	10	0.99	1.7	1.84

#### SPECIFICATIONS AT 230V

Lamp type	Number of lamps	Rated lamp watts	Min. start temp. (°F / °C)	Input current (A)	Input power (ANSI watts)	Ballast factor	Max THD %	Power factor	Max. lamp current crest factor	B.E.F.
F32T8	4	32	32/0	0.45	101	0.78	10	0.99	1.7	0.77
F25T8	4	25	32/0	0.37	85	0.81	10	0.99	1.7	0.95
F17T8	4	17	32/0	0.28	64	0.91	10	0.98	1.7	1.42
F32T8	3	32	32/0	0.34	78	0.87	10	0.98	1.7	1.12
F25T8	3	25	32/0	0.3	68	0.89	10	0.98	1.7	1.31
F17T8	3	17	32/0	0.23	51	0.94	10	0.98	1.7	1.84

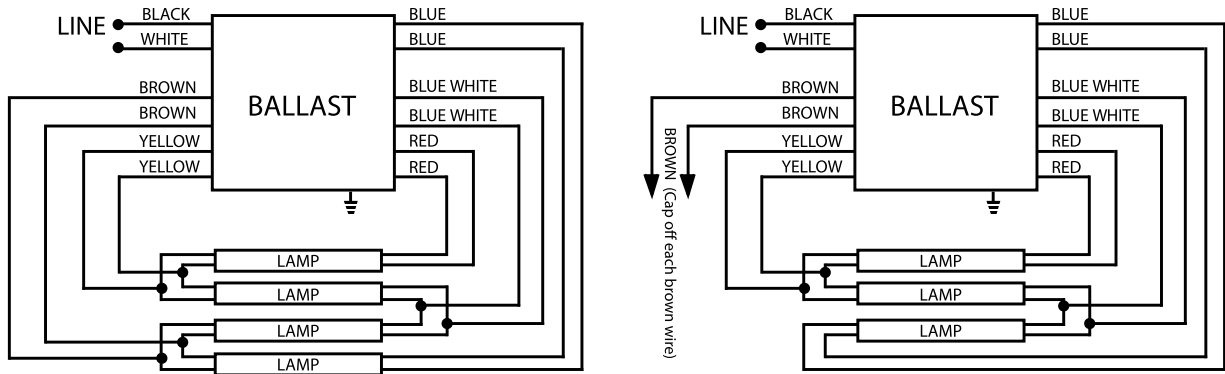
#### SPECIFICATIONS AT 277V

Lamp type	Number of lamps	Rated lamp watts	Min. start temp. (°F / °C)	Input current (A)	Input power (ANSI watts)	Ballast factor	Max THD %	Power factor	Max. lamp current crest factor	B.E.F.
F32T8	4	32	32/0	0.37	101	0.78	10	0.99	1.7	0.77
F25T8	4	25	32/0	0.31	86	0.81	10	0.98	1.7	0.94
F17T8	4	17	32/0	0.24	64	0.92	15	0.98	1.7	1.44
F32T8	3	32	32/0	0.29	78	0.87	10	0.98	1.7	1.12
F25T8	3	25	32/0	0.25	68	0.89	15	0.98	1.7	1.31
F17T8	3	17	32/0	0.19	51	0.94	15	0.97	1.7	1.84



## TECHNICAL INFORMATION BULLETIN ELECTRONIC LINEAR FLUORESCENT BALLAST PROGRAM RAPID START T8

### WIRING DIAGRAM

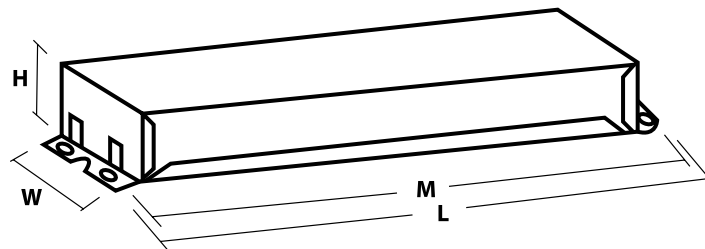


### LEAD LENGTHS

Lead colour	in	cm
Black	18.8	48
White	18.8	48
Blue	30.9	78.5
Red	30.9	78.5
Yellow	46.4	118
Blue/White	30.9	78.5
Brown	46.4	118

### BALLAST FEATURES

Length (L)	Width (W)	Height (H)	Mounting (M)
24.1 cm	4.3 cm	2.9 cm	22.6 cm
9.5 in	1.7 in	1.14 in	8.9 in



### WARRANTY:

Ballast warranty of 5 years for electronic ballast 75 °C. Ballast warranty of 3 years for electronic ballast 90 °C. For more information visit our website.

Data is based upon tests performed in a controlled environment and representative of relative performance. Actual performance can vary depending on operating conditions. Specifications are subject to change without notice.



[www.standardpro.com](http://www.standardpro.com)