

TECHNICAL INFORMATION BULLETIN ELECTRONIC SIGN BALLAST INSTANT START

ORDERING INFORMATION

Order code: 61018
Description: ESB/14/1040/UV/STD
UPC: 69549610187
Warranty: 3 years

GENERAL INFORMATION

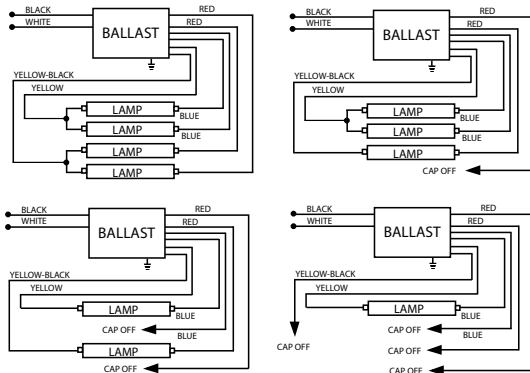
Ballast type: Electronic Plastic Sign
Starting method: Instant Start
Lamp connection: Parallel
Input voltage: 120-277 V
Input frequency: 50/60 HZ
Max. Case Temp: 90 °C
OCV: 860 V
Safety approval: 61018



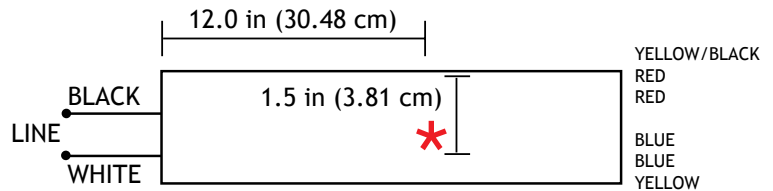
Lamp type	Number of lamps		Lamp footage		Volts (V)	Min. start temp (°F / °C)	Max. input current (A)	Max. input power (W)	Max. THD %	Power factor
	Min.	Max.	Min.	Max.						
T12/HO	1	4	10'	40'	120	-20/-29	3.00	352	10	0.98
					277		1.00			0.95
T8/HO	1	4	8'	32'	120	-20/-29	2.80	330	10	0.98
					277		1.25			0.95

Ballast operates one, two, three, or four T12HO lamps up to 10 feet long with total lamp length between 10 and 40 feet.
Ballast operates one, two, three, or four T8HO lamps up to 8 feet long with total lamp length between 8 and 32 feet.

WIRING DIAGRAM



HOT SPOT LOCATION

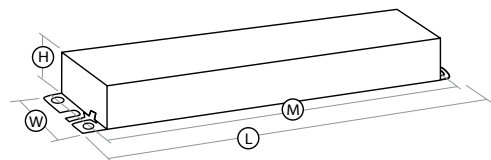


LEAD LENGTHS

Lead colour	in.	cm
Black	24	61.0
White	24	61.0
Blue	120	304.8
Red	120	304.8
Yellow	120	304.8
Yellow/Black	120	304.8

BALLAST FEATURES

Length (L)	Width (W)	Height (H)	Mounting (M)
36.70 cm	8.20 cm	5.59 cm	34.93 cm
14.45 in	3.23 in	2.20 in	13.75 in



WARRANTY:

Ballast warranty of 5 years for electronic ballast 70 °C. Ballast warranty of 3 years for electronic ballast 90 °C. For more information visit our website.

Data is based upon tests performed in a controlled environment and representative of relative performance. Actual performance can vary depending on operating conditions. Specifications are subject to change without notice.



www.standardpro.com