



LED

Mini Indoor Horizontal

Step/Wall

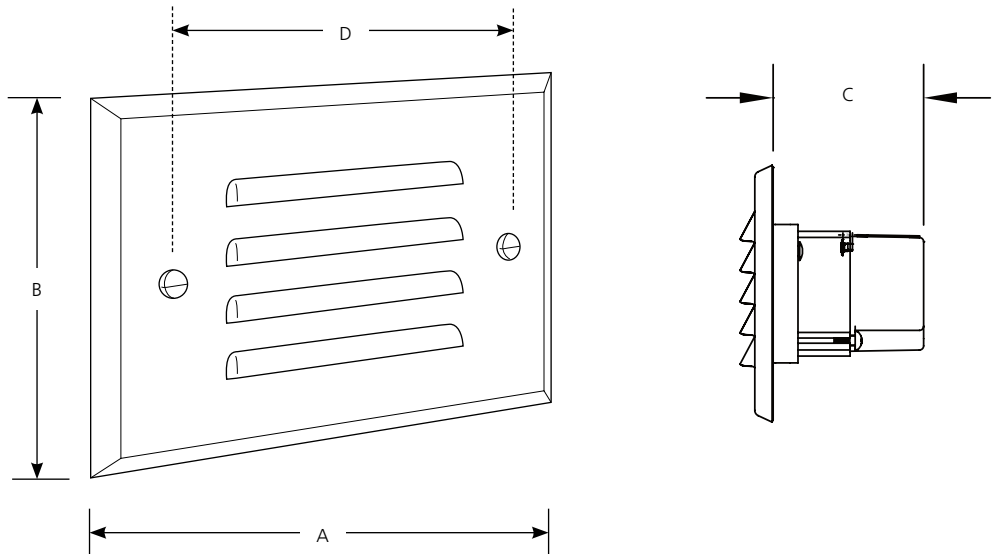
Type _____

-09 -30

P6827

Catalog No.	Finish		Dimensions (Inches)			
	Brushed Nickel	White	A	B	C	D
P6827	-09	-30	4-13/16	3-1/16	1-7/8*	

* Allow 2-1/4" minimum clearance in single gang wall box



Specifications:

Faceplate

- Heavy steel construction
- One piece horizontal louver
- Brushed Nickel (-09) is plated, White (-30) is powder coated paint

Lamping

- LED (Light Emitting Diode) Lamp included
- 80 CRI
- 2700K color temperature (2750K ±75K)
- 30,000+ hrs life
- Lamp contains no mercury, meets Calif. Title 22

Electrical

- Integral driver, Class 2, non-dimmable
- 120v 60Hz input
- Consumes 5 watts

Mounting

- Horizontal mounting on a single gang recessed wallbox (2-1/4" min. clearance)
- Either standard metal or plastic wallbox can be used

Labels

- cCSAus certified for damp locations

Progress Lighting
701 Millennium Blvd.
Greenville, South Carolina
29607

www.progresslighting.com

Rev. 9/11