

PP Series Power Packs



PP-120H
PP-230H
PP-277H
PP-347H



PP-SH

Power switch packs provide both the 24 V $\overline{\text{---}}$ power supply to operate Lutron sensors as well as the 20 A line voltage relay to control the load in one compact housing. The unit can be placed outside or inside the junction box with a simple twist-on nut. The auxiliary relay model can be used with line voltage power packs to switch additional loads.

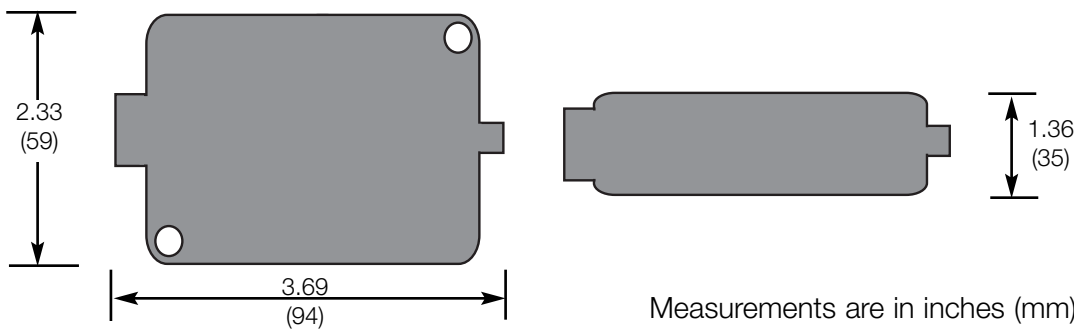
Features

- High-impact UL94 5 VA flammability-rated plastic case construction.
- Relay: Class B (130°C) insulating material; silver alloy contacts.
- 120 V, 277 V, or 347 V \sim transformer: 60 Hz;
230 V transformer: 50 Hz.
- 24 V $\overline{\text{---}}$ nominal output; 100 mA nominal, full wave rectified and filtered.
- 7" wire leads, 18 AWG input; 7" leads, 16 AWG contacts.
- Relay contact rating:
 - 20 A: 120/230/277 V ballast
 - 15 A: 347 V ballast
 - 15 A: 120 V incandescent
- Complies with requirements for use in a compartment handling conditioned air (plenum).
- Supports up to 3 devices, including occupant sensors and PP-SH units.
- Operating environment: 32°F to 104°F (0°C to 40°C); less than 90% relative humidity, non-condensing.
- For indoor use only.

Model Numbers

Catalog Number	Power Input	Control Input	Power Output
PP-120H	120 V \sim , 60 Hz	24 V $\overline{\text{---}}$, 5 mA	24 V $\overline{\text{---}}$, 100 mA
PP-230H	230 V \sim , 50 & 60 Hz	24 V $\overline{\text{---}}$, 5 mA	24 V $\overline{\text{---}}$, 100 mA
PP-277H	277 V \sim , 60 Hz	24 V $\overline{\text{---}}$, 5 mA	24 V $\overline{\text{---}}$, 100 mA
PP-347H	347 V \sim , 60 Hz	24 V $\overline{\text{---}}$, 5 mA	24 V $\overline{\text{---}}$, 100 mA
PP-SH	N/A	24 V $\overline{\text{---}}$, 5 mA	N/A

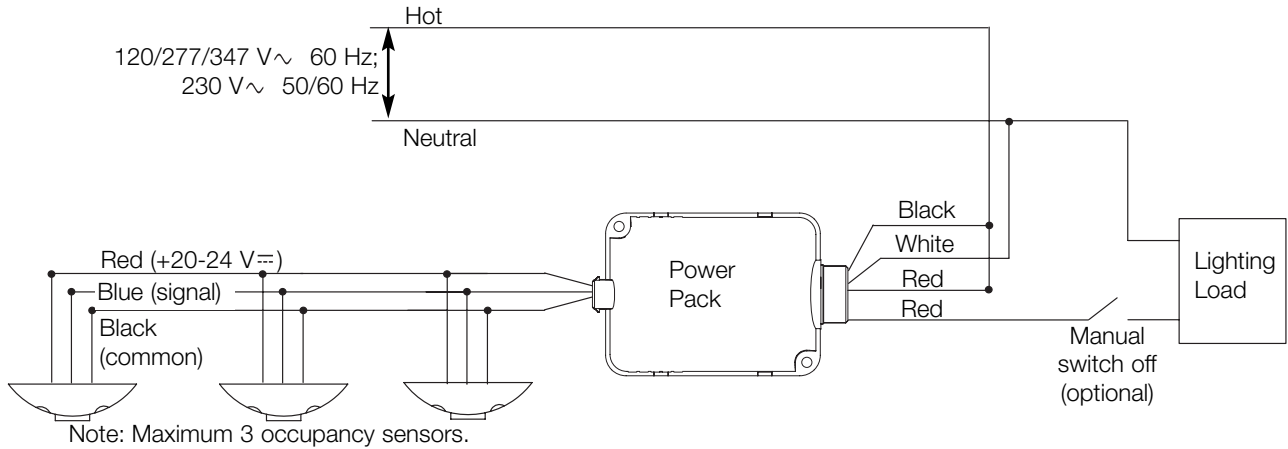
Dimensions



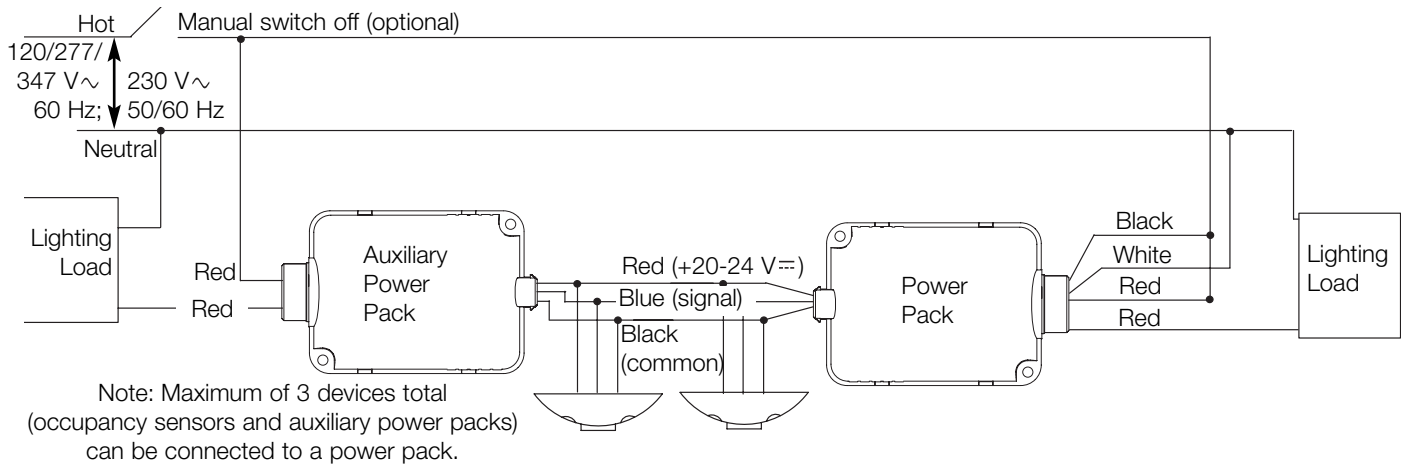
Job Name:	Model Numbers:
Job Number:	

Wiring

1 to 3 Sensors with Power Pack

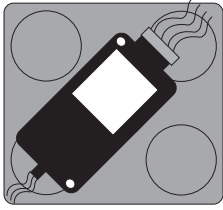


Switching Multiple Loads with Auxiliary Power Packs



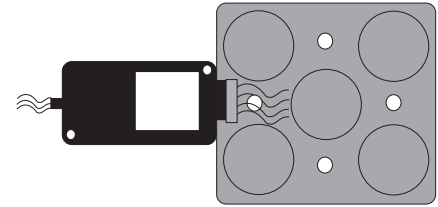
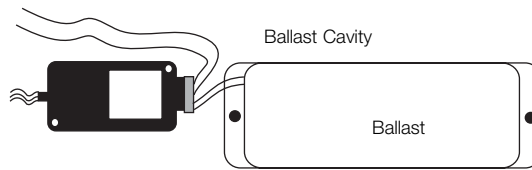
Job Name:	Model Numbers:
Job Number:	

Mounting



Fits inside junction box or standard fluorescent fixture ballast cavity

Mount with 6/32 x 1.25" pan head screws



Mounts to standard 4" x 4" junction box through knockout with 1/2" EMT threaded nipple.

Note: Always turn power off and lock out during unit installation.
Always install unit in accordance with applicable national and local electrical codes.

Installation

- Wire according to appropriate Wiring Diagram.
- Warning: Risk of electrical shock from energized equipment.
Always turn power OFF and lock out during unit installation.
Always install units in accordance with applicable national and local electrical codes.

Job Name:	Model Numbers:
Job Number:	