

Dimmers for Incandescent and Magnetic Low Voltage, Accessory Dimmers

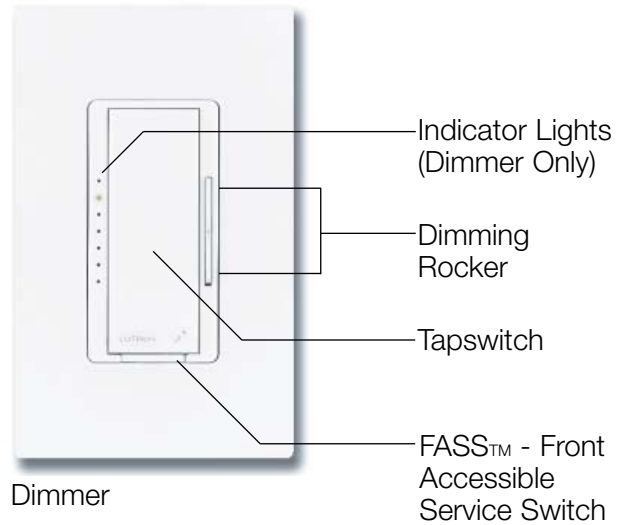
RadioRA Dimmers function much like standard dimmers and switches, and have an integral microprocessor, allowing them to be incorporated into the whole-house lighting control system. Communications with the system is accomplished via radio frequency (RF). *RadioRA* Dimmers are useful in locations where single circuits of lighting need to be dimmed or switched. *RadioRA* Dimmers incorporate advanced features such as fade on/fade off, slow fade off, and rapid full on. *RadioRA* Dimmers include a Front Accessible Service Switch for safe lamp replacement.

RadioRA Dimmers may be used with *RadioRA* Accessory Dimmers to provide dimming control from up to 9 additional locations.

Note: The RA-6D may be used in place of RA-600L/LM and RALV-600L/LM dimmers. The RA-10D may be used in place of RA-1000L/LM and RALV-1000L/LM dimmers.

Features

- Design allows for color changes without replacing the control.
- Multiple location dimming from Dimmer and Accessory Dimmer.
- Screw terminals and push-in connections simplify installation.
- Shallow backcover takes up less room in the wallbox.
- Allows local control of one circuit of lights in a *RadioRA* system to:
 - turn lights on or off
 - adjust light intensity
- Uses conventional 3-way and 4-way wiring.
- Dimmers always operate locally and do not require central system control.



Model Numbers

Dimmers

RA-6D-XX	600 W Incandescent, 600 VA Magnetic Low Voltage
RA-10D-XX	1000 W Incandescent, 1000 VA Magnetic Low Voltage
RA-AD-XX	Accessory Dimmer

“XX” in the model number represents color/finish code.

Job Name:	Model Numbers:
Job Number:	

Specifications

Standards

- UL Listed.
- NOM Certified.
- FCC Approved. Complies with the limits for a Class B digital device, pursuant to Part 15 of the FCC Rules.
- Industry Canada Registered.

Power

Operating voltage: 120 V~
50/60 Hz.

Minimum Load

- 50 W minimum load.

Key Design Features

- Green indicator lights.
- Power failure memory: should power be interrupted, the lights will return to their previously set level prior to the interruption when power is restored.
- Multiple location dimming from Dimmer and up to 9 Accessory Dimmers.
- On a single tap, lights fade up or down.
- On a double-tap, lights go to full ON.
- Pressing and holding the tapswitch slowly fades lights to OFF, beginning at press.
- Light levels can be fine-tuned by pressing and holding the raise/lower rocker until the desired light level is reached.
- Use Lutron® Claro® or Satin Colors™ wallplates. Wallplates are sold separately.

- Requires a 1-gang U.S. wallbox. 3-1/2 in. (89 mm) deep recommended, 2-1/4 in. (57 mm) deep minimum.

System Communications and Capacity

- Dimmers communicate with the *RadioRA* system through radio frequency (RF).
- Each *RadioRA* Dimmer counts toward the single-system maximum of 32 Lighting Zone Controls (up to 64 with Chronos™).

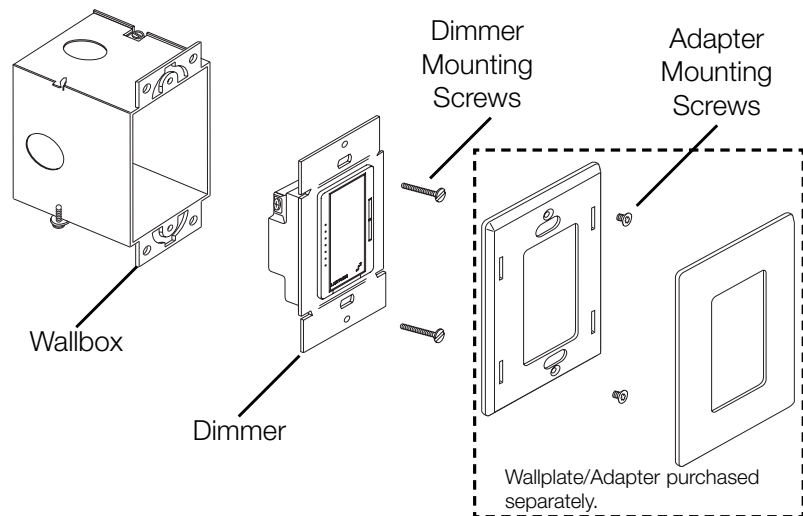
Environment

- Ambient operating temperature: 0-40 °C, 32-104 °F
- 0-90% humidity, non-condensing.
- Indoor use only.

Warranty

- 1-year Limited Warranty.

Mounting



Color/Finish Codes

Dimmer Color (code)

Claro Designer Gloss Colors

White	(WH)
Ivory	(IV)
Almond	(AL)
Light Almond	(LA)
Gray	(GR)
Brown	(BR)
Black	(BL)

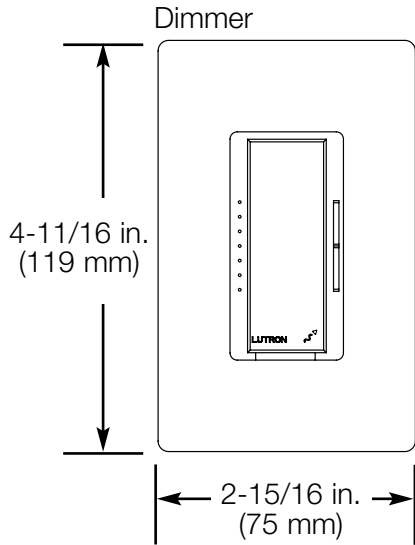
Satin Colors Matte Finishes

Hot	(HT)
Ochre	(OC)
Terracotta	(TC)
Desert Stone	(DS)
Stone	(ST)
Limestone	(LS)
Blue Mist	(BT)
Midnight	(MN)
Taupe	(TP)
Eggshell	(ES)
Biscuit	(BI)
Snow	(SW)
Merlot	(MR)
Greenbriar	(GB)
Bluestone	(BG)
Cobalt	(CB)
Sienna	(SI)
Lilac	(LL)
Kiwi	(KW)
Seaglass	(SG)

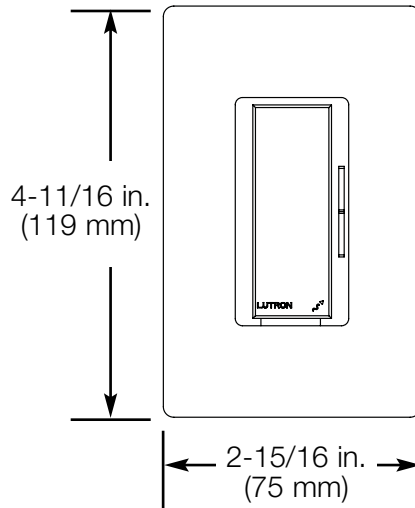
Job Name:	Model Numbers:
Job Number:	

Dimensions

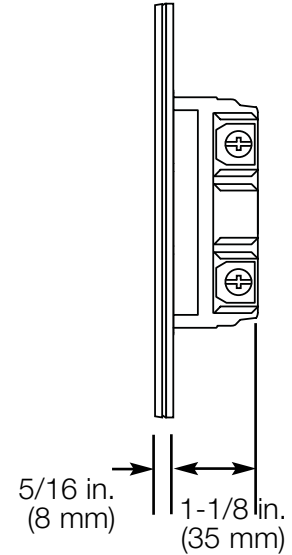
Front View



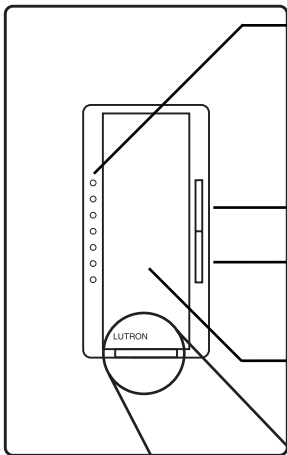
Accessory Dimmer



Side View



Dimmer Operation



Indicator Lights

(Dimmer only) Indicate light level; glow softly as night light when light is off

Dimming Rocker

Press to Brighten
Press to Dim

Tapswitch

Tap on/off



FASS™
Front
Accessible
Service
Switch

Important Notice:

To replace bulb, power may be conveniently removed by pulling the FASS™ switch out on the Dimmer or any Accessory Dimmers. For any procedure other than routine bulb replacement, power must be disconnected at the main electrical panel.

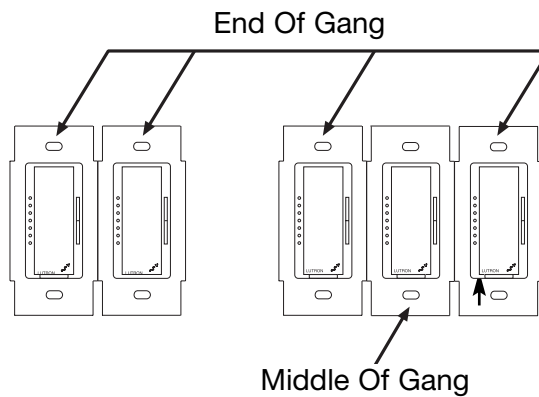
Job Name:	Model Numbers:
Job Number:	

Dimmer Load Type/Capacity

	RA-6D	RA-10D
Minimum Load	50 W/VA	50 W/VA
Maximum Capacity	600 W/VA	1000 W/VA

Ganging and Derating

Lutron Claro® and Satin Colors™ wallplates are available in 1 to 6 gang versions. Purchase *Claro* and *Satin Colors* wallplates separately. When combining controls in a wallbox, derating is required; however, no derating is required for Accessory controls. **Note:** Controls do not have fins that need to be removed for multigang installations



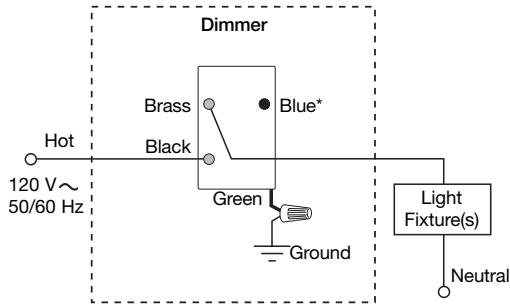
For multi-gang installations, derate load capacities as follows:

Model No.	End of Gang	Middle of Gang
	Incandescent	Incandescent
RA-6D	500 W	400 W
RA-10D	800 W	650 W
RA-AD	N/A	N/A

Job Name:	Model Numbers:
Job Number:	

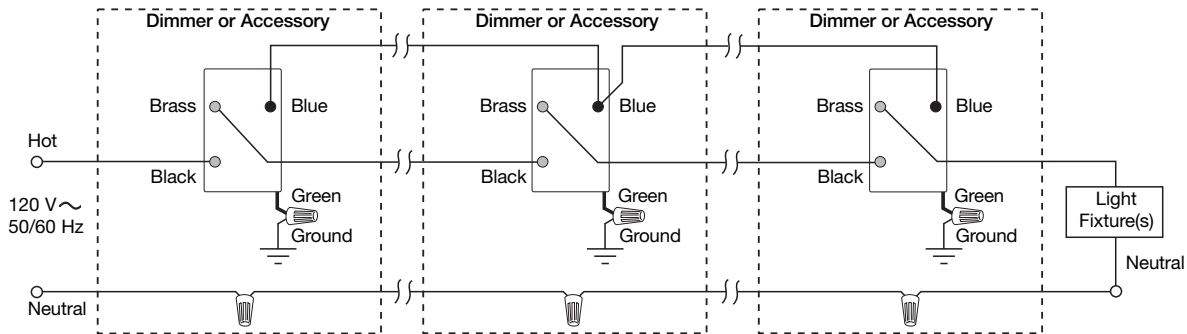
Wiring Diagrams

Single Location Installation
-6D, -10D



* When using controls in single location installations, tighten the blue screw terminal. DO NOT connect the blue screw terminal to any other wiring or to ground.

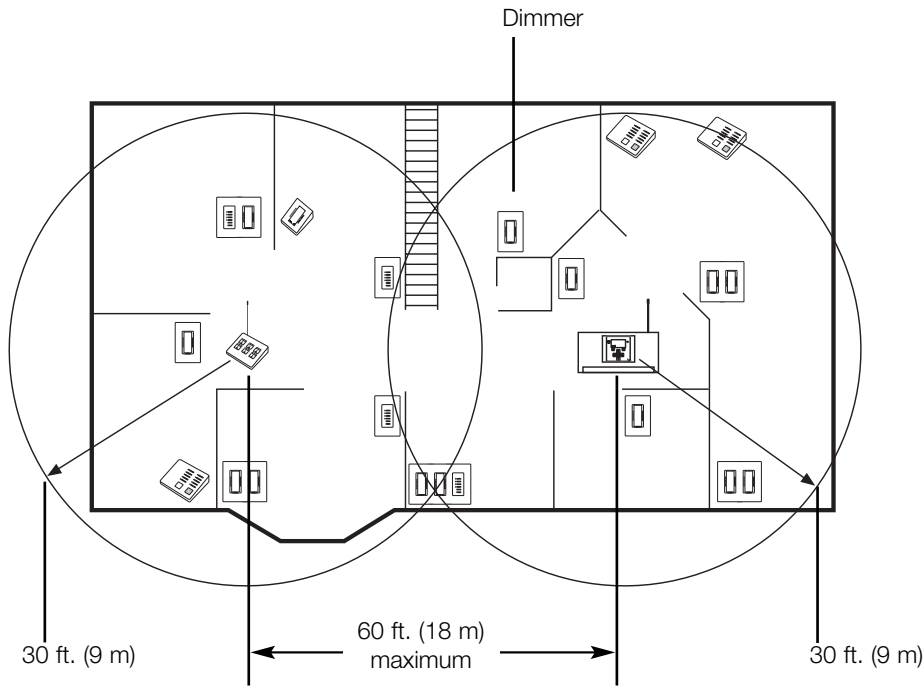
Multi-Location Installation**
-6D, -10D with RA-AD



** Up to 9 *RadioRA* Accessory Dimmers may be connected to the *RadioRA* Dimmer. Total blue wire length may be up to 250 ft. (76 m).

Job Name:	Model Numbers:
Job Number:	

System Overview



System Communication Notes

- *RadioRA* Lighting Zone Controls and Master Controls must be located within 30 ft. (9 m) of the *Chronos*® System Bridge or a Repeater. Multiple repeaters may be necessary to provide adequate coverage.
- Additional repeaters must be within 60 ft. of the *Chronos* System Bridge or another repeater.
- *RadioRA* Lighting Zone Controls cannot be controlled and *RadioRA* Master Controls will not function until they are activated and programmed.

Job Name:	Model Numbers:
Job Number:	