

RadioRA 2 Maestro® Local Controls

RadioRA 2 Maestro local controls function much like standard dimmers and switches, but can be controlled as part of a lighting control system. Local lighting controls are useful in locations where single circuits of lighting need to be dimmed or switched.

RadioRA 2 Maestro dimmers incorporate advanced features such as fade on/fade off, delayed long fade to off, and rapid full on.

RadioRA 2 Maestro local controls include a Front Accessible Service Switch (FASS™) for safe lamp replacement. RadioRA 2 Maestro local controls install in single-pole or multi-location applications. Remote dimmers/switches are available for multi-location control.

Use Lutron® Designer (Claro® or Satin Colors®) wallplates or designer-style wallplates from other manufacturers. Wallplates are sold separately. Lutron Claro and Satin Colors wallplates snap on with no visible means of attachment. RadioRA 2 Maestro local controls support color change kits.



Dimmer



Remote Dimmer



Switch



Remote Switch

Model Numbers

Dimmers

Incandescent/Halogen/MLV (120 V~)

RRD-6D-XX*	600 W/600 VA Dimmer
RRD-10D-XX*	1000 W/1000 VA Dimmer
RRD-10ND-XX*	1000 W/1000 VA Neutral Wire Dimmer

ELV (120 V~)

RRD-6NE-XX*	600 W/600 VA Neutral Wire Dimmer
-------------	----------------------------------

3-Wire Fluorescent/LED (120-277 V~)

RRD-F6AN-DV-XX*	6 A Neutral Wire Dimmer
-----------------	-------------------------

Switches

Lighting and Motor Loads (120 V~)

RRD-8ANS-XX*	8 A Light, 1/4 HP 5.8 A Motor Neutral Wire Electronic Switch
--------------	--

Lighting and Motor Loads (120-277 V~)

RRD-8S-DV-XX*	8 A Light, 1/10 HP 3 A Motor Two-Wire Electronic Switch
---------------	---

Remotes (for multi-location installations)

RD-RD-XX*	Remote Dimmer (120 V~)
RD-RS-XX*	Remote Switch (120 V~)
RD-RD-277-XX*	Remote Dimmer (277 V~) Use only with RRD-F6AN-DV
RD-RS-277-XX*	Remote Switch (277 V~) Use only with RRD-8S-DV

*RadioRA 2 Maestro local controls are available in 27 colors. Please see page 7 for color selections.

RadioRA 2 Maestro® Local Controls

Specifications

Model Numbers	Dimmer: RRD-6D-XX, RRD-10D-XX, RRD-10ND-XX, RRD-6NE-XX, RRD-F6AN-DV-XX Switch: RRD-8ANS-XX, RRD-8S-DV-XX Remote: RD-RD-XX, RD-RS-XX, RD-RD-277-XX, RD-RS-277-XX
Power	120 V~ 50/60 Hz (-6D, -10D, -10ND, -6NE, -8ANS, -RD, -RS) 120–277 V~ 50/60 Hz (-F6AN-DV, -8S-DV) 277 V~ 50/60 Hz (-RD-277, -RS-277)
Typical Power Consumption	Dimmer/Switch: 0.2 W Test conditions: load is off and nightlight mode is enabled. Remote Dimmer/Switch: 0 W Test conditions: load is off.
Regulatory Approvals	UL, CSA (all except -6NE), cUL (-6NE only), NOM (except -6NE, -F6AN, and -8S-DV), FCC, IC, COFETEL
Environment	Ambient operating temperature: 32 °F to 104 °F (0 °C to 40 °C), 0%-90% humidity, non-condensing. Indoor use only.
Communications	Dimmers and switches communicate with the system through Radio Frequency (RF) and must be located within 30 ft (9 m) of a repeater. Remote dimmers/switches are not required to be within a specific range of a repeater.
ESD protection	Tested to withstand electrostatic discharge without damage or memory loss, in accordance with IEC 61000-4-2.
Surge Protection	Tested to withstand surge voltages without damage or loss of operation, in accordance with IEEE C62.41-1991 Recommended Practice on Surge Voltages in Low-Voltage AC Power Circuits.
Power Failure	Power failure memory: should power be interrupted, the control will return to its previous state when power is restored.
Mounting	Requires a U.S. wallbox. 3 1/2 in (89 mm) deep recommended, 2 1/4 in (57 mm) deep minimum.
Wiring	Uses conventional 3-way and 4-way wiring.
Warranty	1 Year Limited Warranty. http://www.lutron.com/resiinfo

Design Features

Dimmer

- On a single-tap, lights fade ON or OFF.
- On a double-tap, lights go to full ON.
- When ON, press and hold the tapswitch to engage the delayed long fade to OFF.
- Light levels can be fine-tuned by pressing and holding the dimming rocker until the desired light level is reached.
- Neutral and two-wire dimmers available.

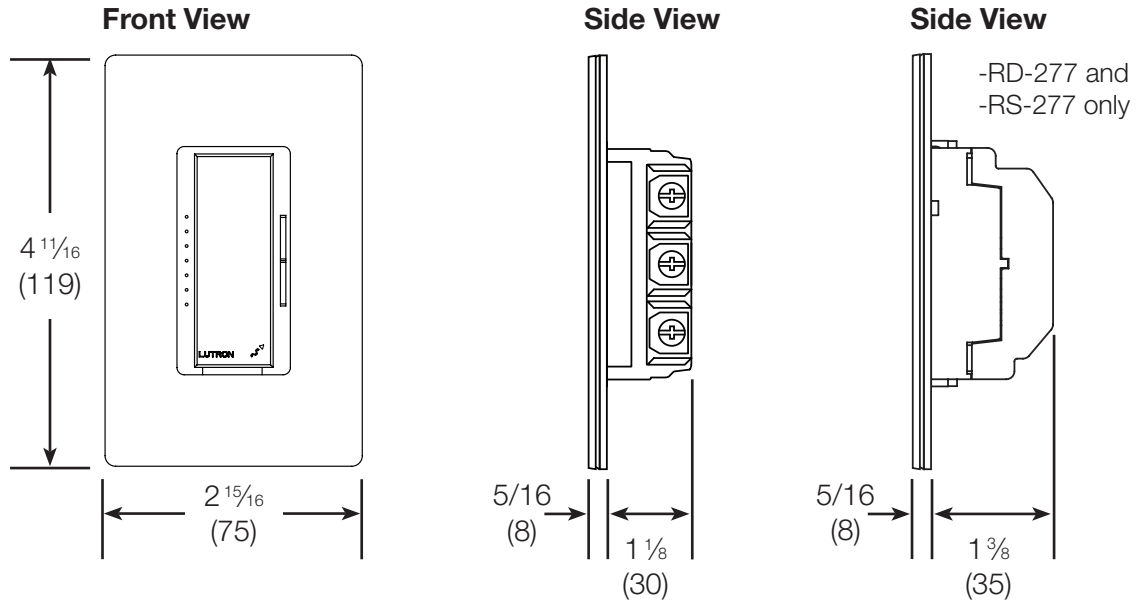
Switch

- On a single-tap, lights or motors turn ON or OFF.
- Neutral and two-wire switches available.

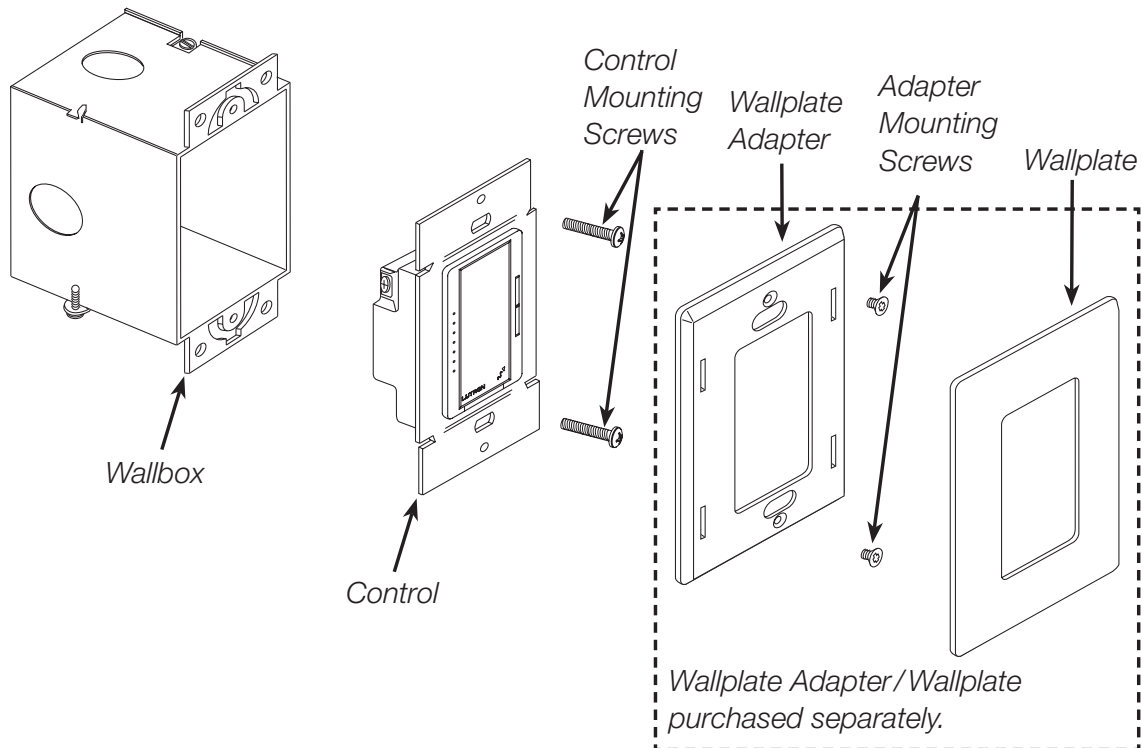
RadioRA 2 Maestro® Local Controls

Dimensions

All dimensions are shown as $\frac{\text{in}}$
(mm)



Mounting and Parts Identification

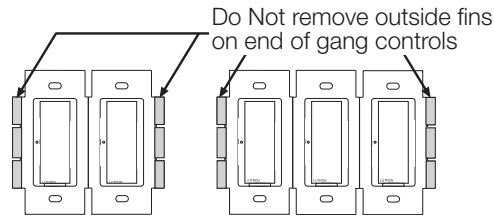


RadioRA 2 Maestro® Local Controls

Ganging and Derating

When combining controls in the same wallbox, derating is required. See **Load Type and Capacity**. No derating is required for remote dimmers/switches. -8ANS, -RD-277, and -RS-277 have fins that need to be removed for multigang installations.

-8ANS, -RD-277, and -RS-277 only:



Each control has inside fins removed Middle of gang control has all fins removed

Load Type and Capacity

Control	Load Type	Minimum Load	Not Ganged	End of Gang	Middle of Gang	Neutral Connection
RRD-6D ¹	Incand.	50 W	600 W	500 W	400 W	NO
	MLV ²	50 W/VA	450 W/ 600 VA	400 W/ 500 VA	300 W/ 400 VA	
RRD-10D ¹	Incand.	50 W	1000 W	800 W	650 W	NO
	MLV ²	50 W/VA	800 W/ 1000 VA	600 W/ 800 VA	500 W/ 650 VA	
RRD-10ND ^{1, 4}	Incand.	10 W	1000 W	800 W	650 W	YES
	MLV ²	10 W/VA	800 W/ 1000 VA	600 W/ 800 VA	500 W/ 650 VA	
RRD-6NE ¹	ELV	5 W	600 W	500 W	400 W	YES
RRD-F6AN-DV ^{3, 4, 5}	Fluorescent/LED	0.05 A	6 A	5 A	3.5 A	YES
		1 ballast	60 ballasts	50 ballasts	35 ballasts	
RRD-8ANS ^{4, 6}	Lighting	10 W	8 A	6.5 A	5 A	YES
	Motor	0.08 A	1/4 HP 5.8 A	1/4 HP 5.8 A	1/6 HP 4.4 A	
RRD-8S-DV ^{6, 7}	Lighting	40 W/VA	8 A	8 A (2-gang) 7 A (3-gang)	7 A	NO
	Motor	0.4 A	1/10 HP 3 A			

Continued on next page...

RadioRA 2 Maestro® Local Controls

Load Type and Capacity (continued)

- 1** Dimmer Load Type: -6D, -10D, and -10ND are designed for use with permanently installed incandescent, magnetic low-voltage, or tungsten halogen only. -6NE is designed for use with permanently installed electronic low-voltage only. Do not install dimmers to control receptacles or motor-operated appliances.
- 2** Low-Voltage Applications: Use -6D, -10D and -10ND with magnetic (core and coil) low-voltage transformers only. Not for use with electronic (solid-state) low-voltage transformers. Use -6NE with electronic (solid-state) transformers.
Operation of a low-voltage circuit with lamps inoperative or removed may result in transformer overheating and premature failure. Lutron strongly recommends the following:
 - Do not operate low-voltage circuits without operative lamps in place.
 - Replace burned-out lamps as soon as possible.
 - Use transformers that incorporate thermal protection or fused transformer primary windings to prevent transformer failure due to overcurrent.
- 3** Fluorescent Dimmer Load Type: -F6AN-DV is designed for use with permanently installed 3-wire 120 V \sim or 277 V \sim line voltage control fluorescent ballasts or LED drivers. Use only with Hi-lume[®], Hi-lume[®] 3D, Compact SE[™], Eco-10[®], or Ecosystem[®] (H3D-, FDB-, ECO-, HL3-, EC5-, L3D). Do NOT use with any other ballasts or drivers. Do not install to control receptacles or motor-operated appliances.
- 4** Power Boosters/Load Interfaces: -10ND, -F6AN-DV, and -8ANS can be used to control power boosters/load interfaces. For a list of compatible power boosters/load interfaces see **Compatible Power Boosters and Load Interfaces** below.
- 5** Maximum Load: The maximum load for the -F6AN-DV is either the derated load or the number of ballasts, whichever is **LESS**.
- 6** Switch Load Type: -8ANS and -8S-DV are designed for use with permanently installed 120 V \sim incandescent, magnetic low-voltage, electronic low-voltage, tungsten halogen, fluorescent, or motor loads. -8S-DV can also be used with permanently installed 277 V \sim magnetic low-voltage or fluorescent loads.
- 7** Shunt Capacitor: Some -8S-DV installations may require the use of a shunt capacitor. This is especially necessary for load types sensitive to leakage current (i.e. fluorescent ballasts). If load flickers, install a shunt capacitor. Optional shunt capacitor must be installed inside the load fixture or in a separate J-box. For shunt capacitor installation see **Wiring Diagram 4, 9, or 10**.

Compatible Power Boosters and Load Interfaces

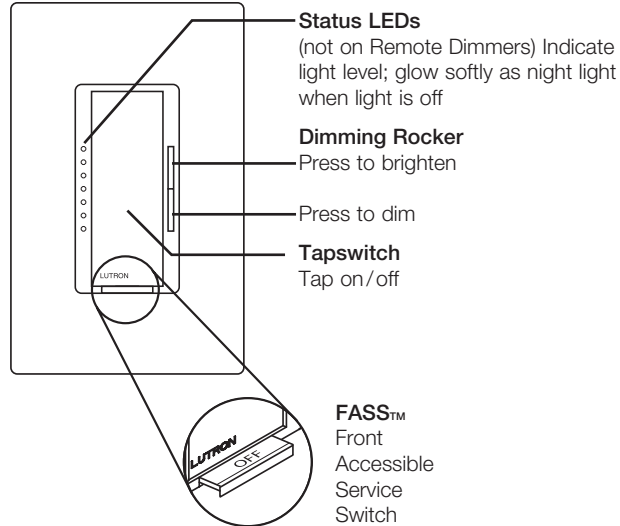
Some local controls can be used to control power boosters or load interfaces. Up to three power boosters or load interfaces can be used with one control. See table below for a list of controls and compatible power boosters and load interfaces.

Control	Phase Adaptive Power Modules (PHPM-PA-120-WH & PHPM-PA-DV-WH)	3-wire Fluorescent Power Modules (PHPM-3F-120-WH & PHPM-3F-DV-WH)	Switched Power Module (PHPM-SW-DV-WH)	0-10 V Interface and Switching Module (GRX-TVI)
RRD-10ND	✓	✓	✓	✓
RRD-F6AN-DV	✓	✓	✓	✓
RRD-8ANS			✓ (preferred)	

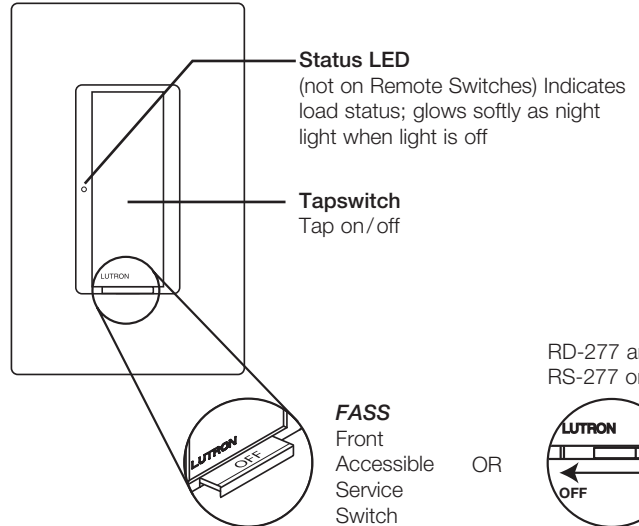
RadioRA 2 Maestro® Local Controls

Operation

Dimmer



Switch



IMPORTANT NOTICE:

FASS - Front Accessible Service Switch

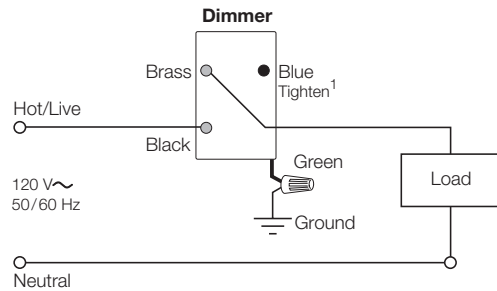
To replace bulb, remove power by pulling the *FASS* switch out fully on all controlling devices. After replacing bulb(s), push the *FASS* switch(es) back in fully to restore power to the control(s).

RadioRA 2 Maestro® Local Controls

Wiring Diagrams

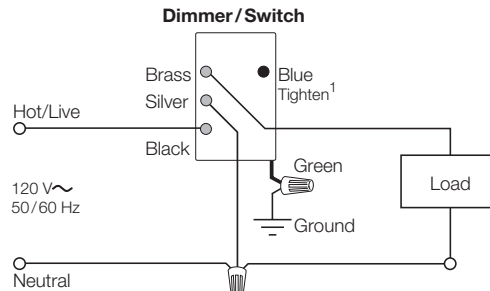
Wiring Diagram 1

Single Location Installation without Neutral¹
-6D and -10D



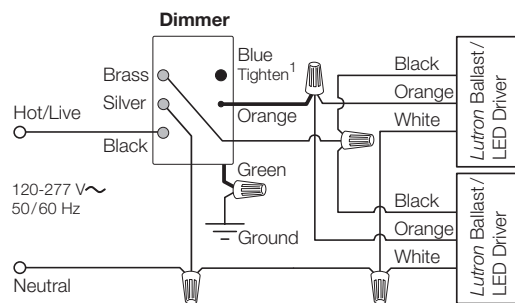
Wiring Diagram 2

Single Location Installation with Neutral¹
-10ND, -6NE, and -8ANS



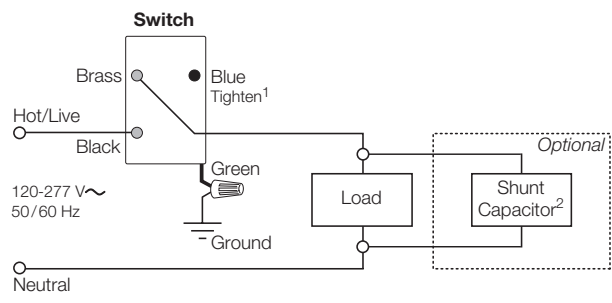
Wiring Diagram 3

Single Location Fluorescent Dimmer Installation¹
-F6AN-DV with Lutron® Ballast/LED Driver



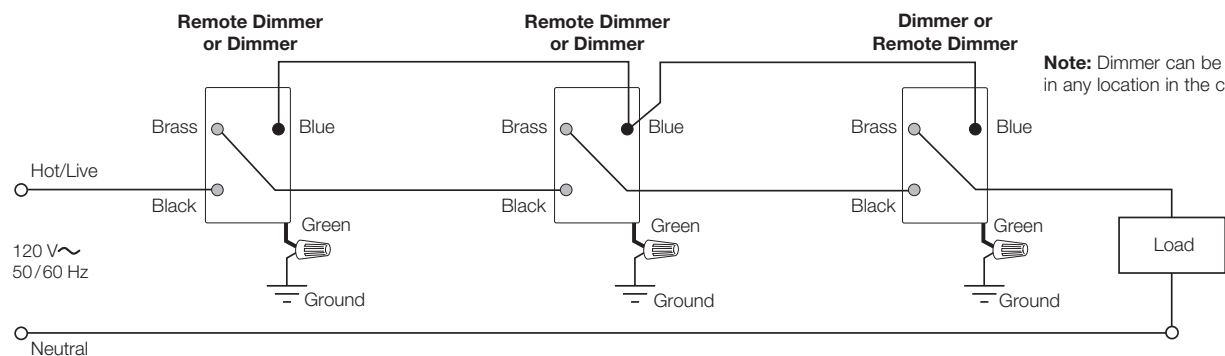
Wiring Diagram 4

Single Location 2-wire Switch Installation¹
-8S-DV with optional shunt capacitor²



Wiring Diagram 5

Multi-Location Installation without Neutral³
-6D and -10D with RD-RD



Note: Dimmer can be installed in any location in the circuit.

Continued on next page...

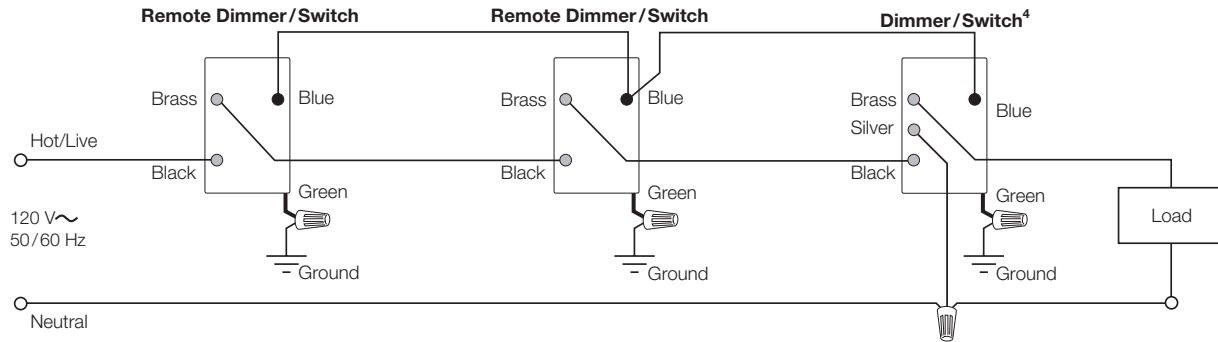
RadioRA 2 Maestro® Local Controls

Wiring Diagrams (continued)

Wiring Diagram 6

Multi-Location Installation with Neutral^{3,4}

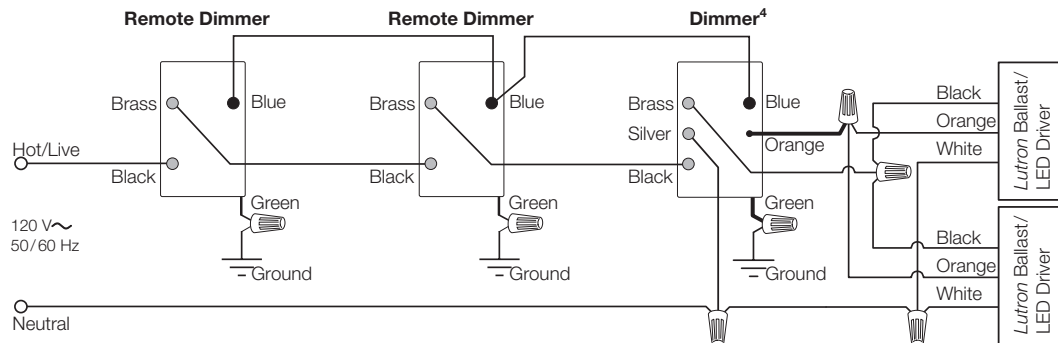
-10ND and -6NE with RD-RD; -8ANS with RD-RS



Wiring Diagram 7

Multi-Location Fluorescent Dimmer Installation^{3,4} (120 V~)

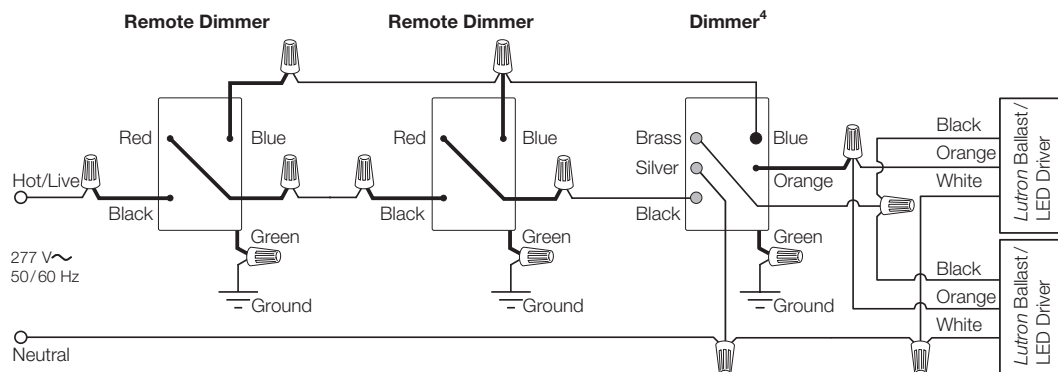
-F6AN with RD-RD and Lutron® Ballast/LED Driver



Wiring Diagram 8

Multi-Location Fluorescent Dimmer Installation^{3,4} (277 V~)

-F6AN with RD-RD-277 and Lutron® Ballast/LED Driver



Continued on next page...

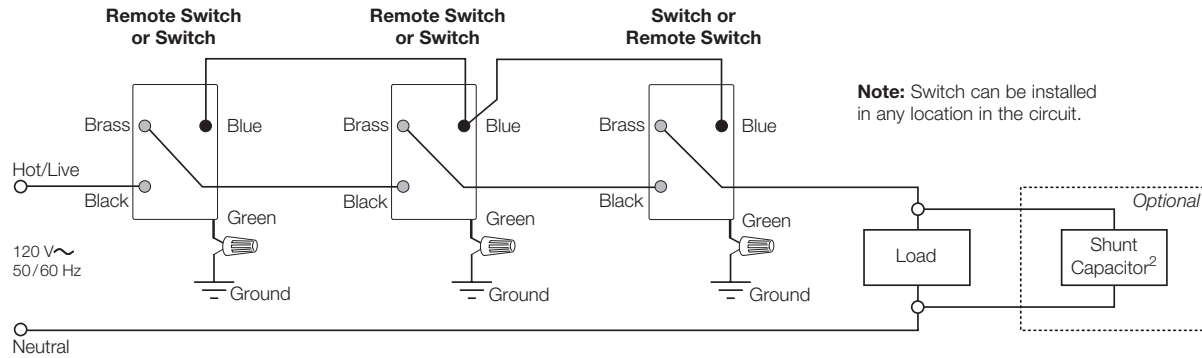
RadioRA 2 Maestro® Local Controls

Wiring Diagrams (continued)

Wiring Diagram 9

Multi-Location 2-wire Switch Installation³ (120 V~)

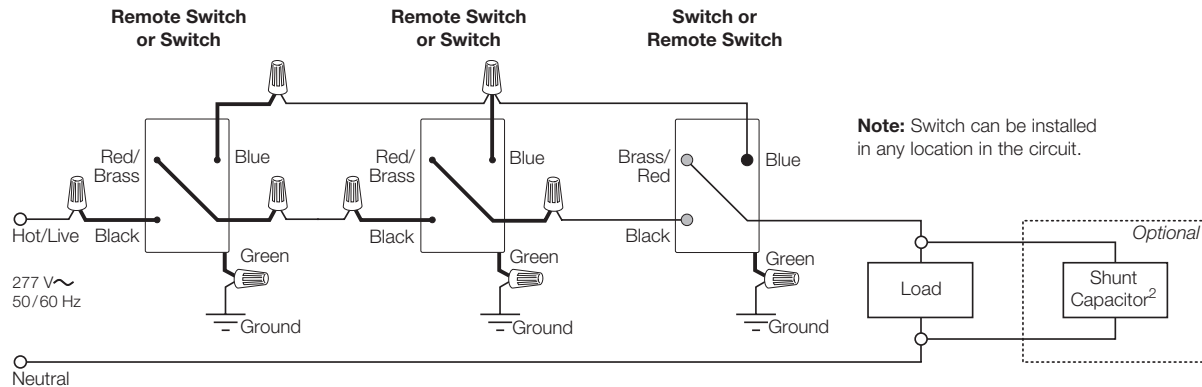
-8S-DV with RD-RS and optional shunt capacitor



Wiring Diagram 10

Multi-Location 2-wire Switch Installation³ (277 V~)

-8S-DV with RD-RS-277 and optional shunt capacitor



- 1 When using controls in single location installations, tighten the blue terminal. **Do not** connect the blue terminal to any other wiring or to ground.
- 2 Optional shunt capacitor must be installed inside the load fixture or in a separate J-box.
- 3 Up to 9 RadioRA 2 Remote Dimmers/Switches may be connected to the RadioRA 2 Dimmer/Switch. Total blue terminal wire length may be up to 250 ft (76 m).
- 4 Neutral wire Dimmers/Switches must be connected on the Load side of a multi-location installation.

RadioRA 2 Maestro® Local Controls

Colors and Finishes

Gloss Finishes



White
WH



Ivory
IV



Almond
AL



Light
Almond
LA



Gray
GR



Brown
BR



Black
BL

Satin Finishes



Hot
HT



Merlot
MR



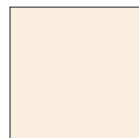
Plum
PL



Turquoise
TQ



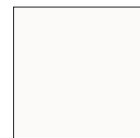
Taupe
TP



Eggshell
ES



Biscuit
BI



Snow
SW



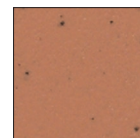
Palladium
PD



Midnight
MN



Sienna
SI



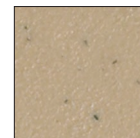
Terracotta
TC



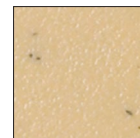
Greenbriar
GB



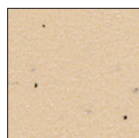
Bluestone
BG



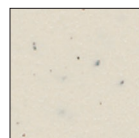
Mocha
Stone
MS



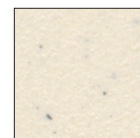
Goldstone
GS



Desert Stone
DS



Stone
ST



Limestone
LS

- Due to printing limitations, colors and finishes shown cannot be guaranteed to perfectly match actual product colors.
- Color chip keychains are available for more precise color matching:

Gloss Finishes- CG-CK-1

Satin Finishes - SC-CK-1

Metal Finish (wallplate only)



Stainless
Steel SS

When using Stainless Steel wallplates, it is recommended to order the controls in Black (BL) or Midnight (MN).