

Lutron® Comfort Controls

seeTemp™ Wall Display

Add Lutron® Comfort Controls to your light and shade/drapery systems for convenient control of all aspects of an environment—natural light, artificial light, and temperature—from the touch of a button. Lutron® Comfort Controls allow heating and cooling systems to integrate seamlessly with Lutron® systems and must be located within 30 ft (9 m) of an RF signal repeater.

The seeTemp™ Wall Display provides control of thermostat settings from a convenient location. Its sleek design blends in with the décor while the intuitive interface shows the current temperature and set point at a glance. System mode buttons are available and concealed by a door that opens 180 degrees for easy access.

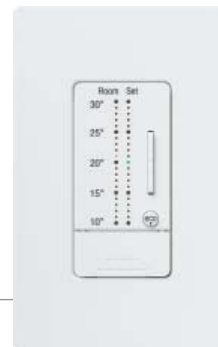
Press the “eco” button on the seeTemp™ Wall Display to trim HVAC settings automatically. The “eco” button trim is controlled by RadioRA® 2 and HomeWorks® QS systems. Lutron® Comfort Controls can only be used in systems that are programmed using the PC Programming Tool.



LRD-WST-F-XX



LRA-WST-F-XX



LRD-WST-C-XX



LRA-WST-C-XX

Model Numbers

Designer:

LRD-WST-F-XX ¹	seeTemp™ Wall Display (°F) ²
LRD-WST-C-XX ¹	seeTemp™ Wall Display (°C) ²
RKD-WST-F-XX ¹	seeTemp™ Color Change Kit (°F) ²
RKD-WST-C-XX ¹	seeTemp™ Color Change Kit (°C) ²

Architectural:

LRA-WST-F-XX ¹	seeTemp™ Wall Display (°F) ²
LRA-WST-C-XX ¹	seeTemp™ Wall Display (°C) ²
RKA-WST-F-XX ¹	seeTemp™ Color Change Kit (°F) ²
RKA-WST-C-XX ¹	seeTemp™ Color Change Kit (°C) ²

Packages:³

- LR-HVAC-PKG-WH⁴
- LR-HVAC-PKG-C-WH⁴

¹“XX” in the model number represents color/finish code. See **Colors and Finishes** at end of document.

²Requires an HVAC Controller or TouchPRO Wireless™ Thermostat (not included).

³For more information regarding packages, refer to Lutron® P/N 369272.

⁴Available with Designer white wallplates only.

Lutron® Comfort Controls

seeTemp™ Wall Display

Specifications

Model Numbers	Designer: LRD-WST-F-XX, LRD-WST-C-XX, RKD-WST-F-XX, RKD-WST-C-XX Architectural: LRA-WST-F-XX, LRA-WST-C-XX, RKA-WST-F-XX, RKA-WST-C-XX Packages: LR-HVAC-PKG-WH, LR-HVAC-PKG-C-WH
Power	120 V~ 50/60 Hz or 24 V~ IEC PELV/NEC® Class 2
Typical Power Consumption	1 W (120 V~), 0.5 W (24 V~); Test conditions: all backlights on medium intensity, two LEDs on
Regulatory Approvals	UL, cUL, FCC, NOM, IC, COFETEL
Environment	Ambient operating temperature: 32 °F to 104 °F (0 °C to 40 °C), 0% to 90% humidity, non-condensing. Indoor use only.
Communications	Lutron® Comfort Controls communicate with the system through Radio Frequency (RF) and must be located within 30 ft (9 m) of a repeater. System devices operate on frequencies between 431.0 MHz and 437.0 MHz.
ESD Protection	Tested to withstand electrostatic discharge without damage or memory loss, in accordance with IEC 61000-4-2.
Surge Protection	Tested to withstand surge voltages without damage or loss of operation, in accordance with IEEE C62.41-1991 Recommended Practice on Surge Voltages in Low-Voltage AC Power Circuits.
Power Failure	Power failure memory: should power be interrupted, the seeTemp™ Wall Display will retain its programming when power is restored.
Mounting	120 V~ requires U.S. wallbox 3 ½ in (89 mm) deep recommended. 24 V~ can be used with Low-Voltage mounting bracket.
Wiring	120 V~ requires hot and neutral wiring; 24 V~ requires transformer common IEC PELV/NEC® Class 2, 22 AWG (0.5 mm²) to 18 AWG (0.75 mm²) solid wiring.
Warranty	For warranty information, please see the Warranty enclosed with the product, or visit: www.lutron.com/TechnicalDocumentLibrary/Warranty.pdf Warranty only valid if installed by climate control specialist.

Design Features

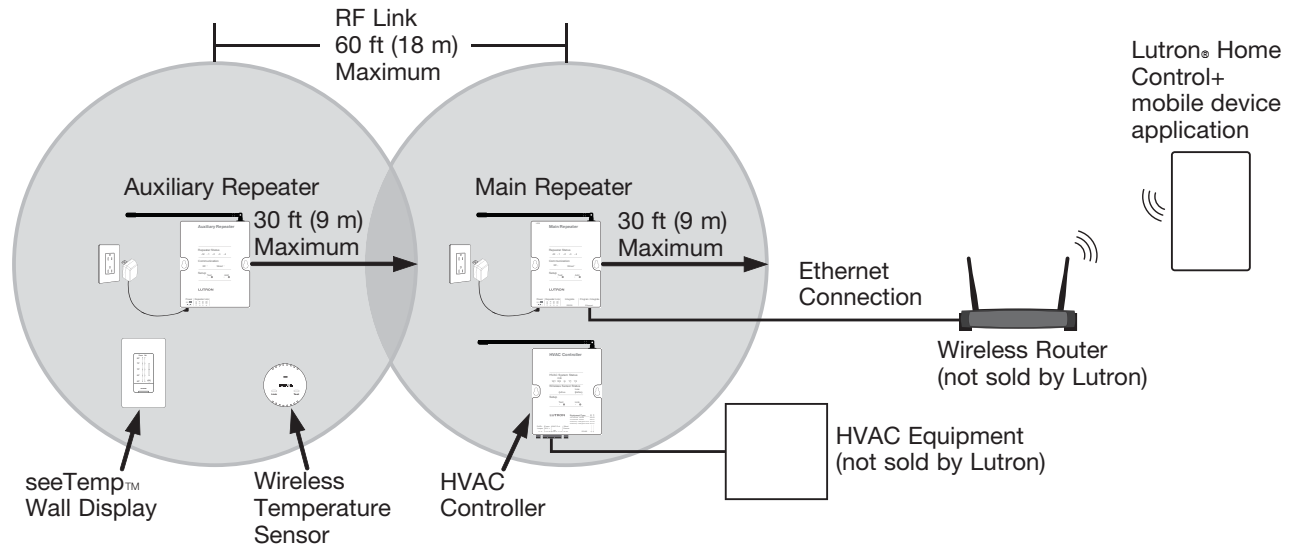
seeTemp™ Wall Display

- Designer or Architectural style opening that can be ganged with other devices like dimmers and keypads.
- Installs in a standard wallbox for low-profile appearance.
- Celsius and Fahrenheit models available.
- Multiple seeTemp™ Wall Displays can be used to control 1 HVAC Controller or TouchPRO Wireless™ Thermostat from multiple locations.
- Pressing the “eco” button saves energy by trimming the temperature a programmed amount. Default is +/- 2 °F (1 °C).
- 120 V~ wiring requires hot and neutral wiring.
- 24 V~ wiring requires 24 V~ and common wiring from HVAC equipment transformer or other 24 V~ IEC PELV / NEC® Class 2 transformer.

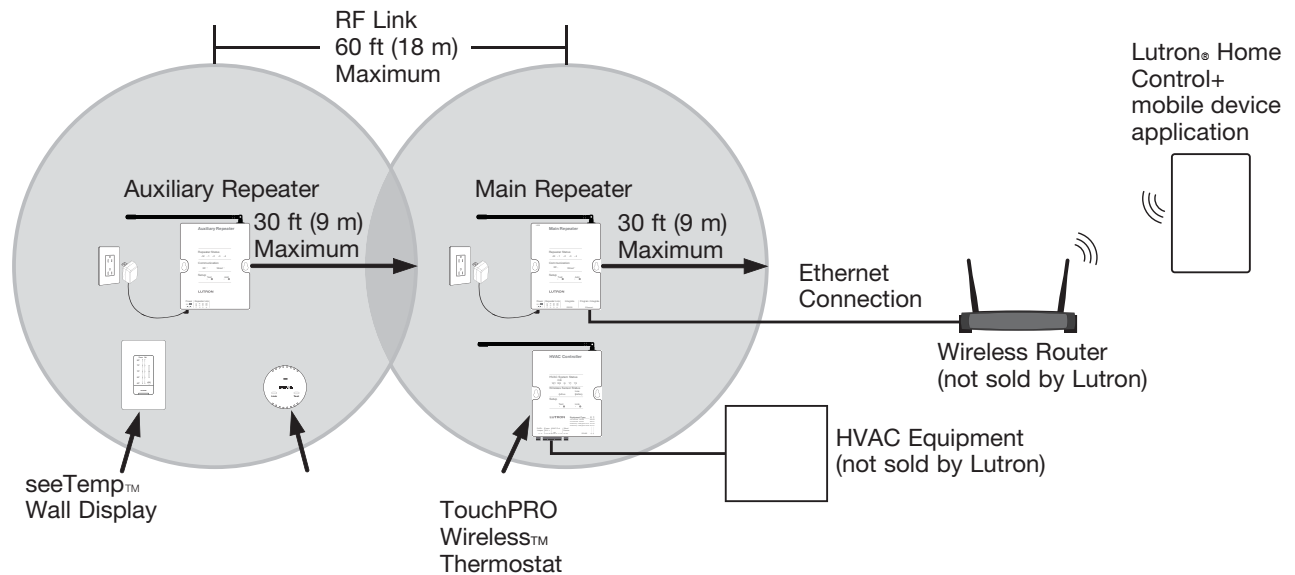
Lutron® Comfort Controls
seeTemp™ Wall Display

RadioRA® 2 System Examples

HVAC Controller



TouchPRO Wireless™ Thermostat

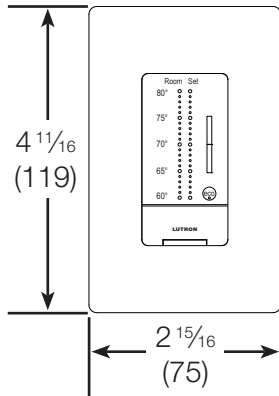


Lutron® Comfort Controls seeTemp™ Wall Display

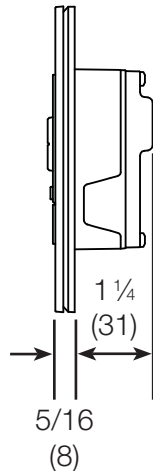
Dimensions

All dimensions are shown as $\frac{\text{in}}$ (mm) unless otherwise noted.

Front View

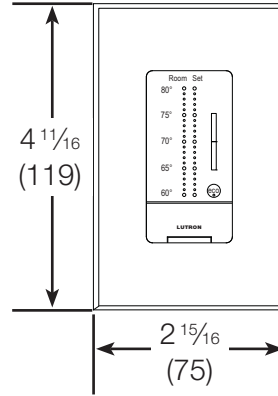


Side View

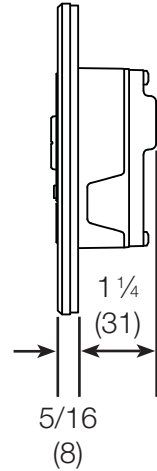


Designer Style
Wallplate

Front View

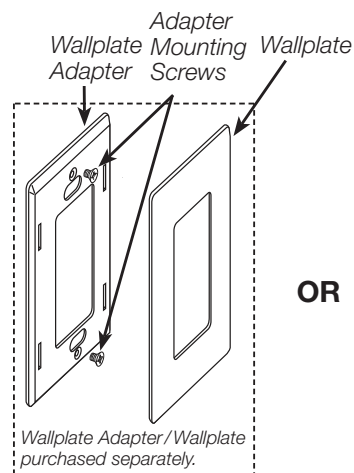
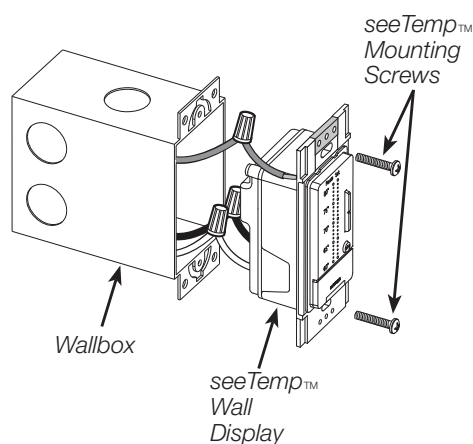


Side View



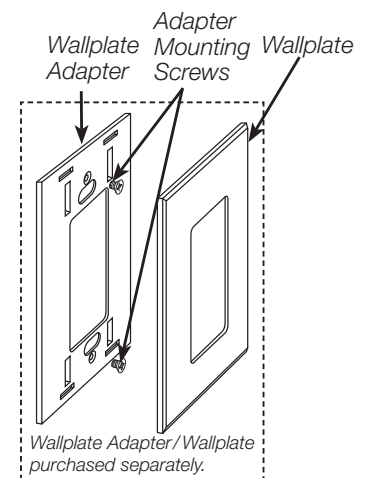
Architectural Style
Wallplate

Mounting and Parts Identification



Designer Style
Wallplate

OR

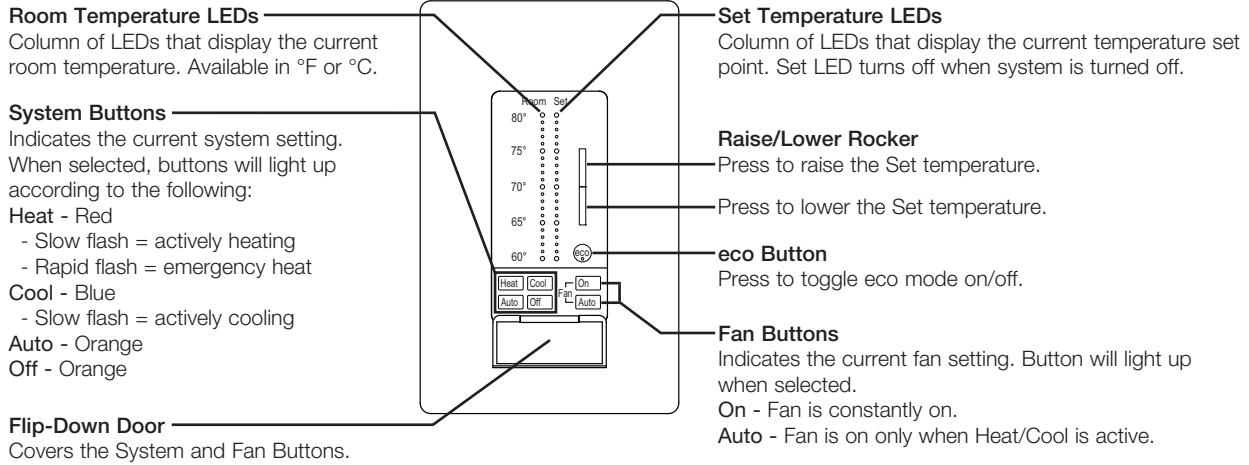


Architectural Style
Wallplate

Note: 120 V~ installation shown

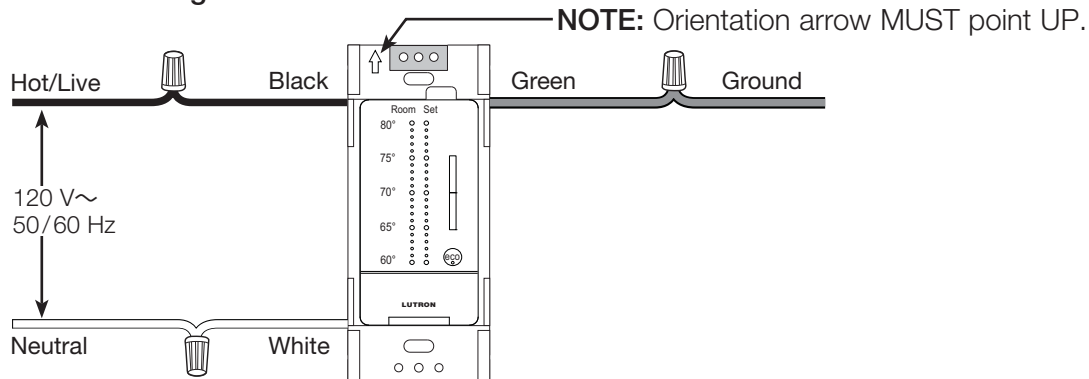
Lutron® Comfort Controls seeTemp™ Wall Display

Operation

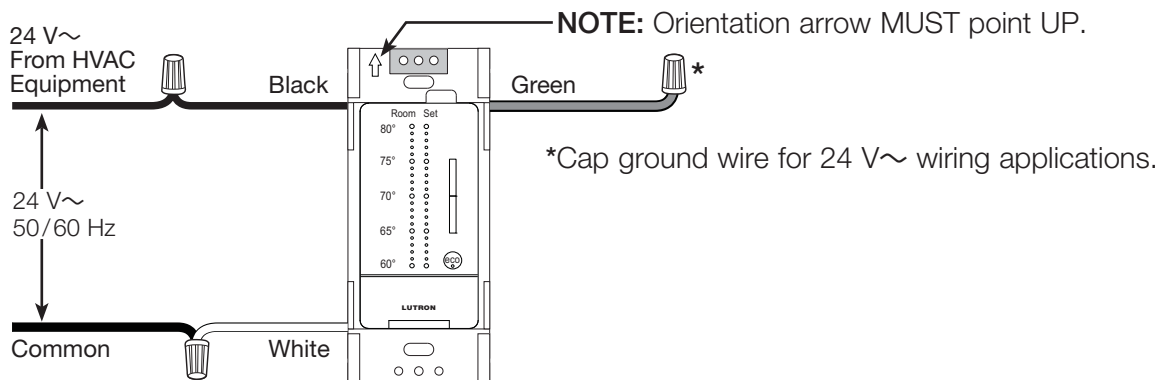


Wiring Diagrams

120 V~ Wiring



24 V~ Wiring



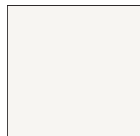
Lutron® Comfort Controls

seeTemp™ Wall Display

Colors and Finishes

Designer Style

Gloss Finishes



White
WH



Ivory
IV



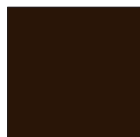
Almond
AL



Light
Almond
LA



Gray
GR



Brown
BR



Black
BL

Satin Finishes



Hot
HT



Merlot
MR



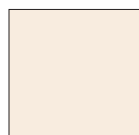
Plum
PL



Turquoise
TQ



Taupe
TP



Eggshell
ES



Biscuit
BI



Snow
SW



Palladium
PD



Midnight
MN



Sienna
SI



Terracotta
TC



Greenbriar
GB



Bluestone
BG



Mocha
Stone
MS



Goldstone
GS



Desert Stone
DS



Stone
ST



Limestone
LS

- Due to printing limitations, colors and finishes shown cannot be guaranteed to perfectly match actual product colors.
- Color chip keychains are available for more precise color matching:

Gloss Finishes- DG-CK-1

Satin Finishes - SC-CK-1

Metal Finish (wallplate only)



Stainless
Steel SS

When using Stainless Steel wallplates, it is recommended to order the controls in Black (BL) or Midnight (MN).

(continued on next page...)