

## RadioRA<sup>2</sup> Hybrid Keypads

RadioRA<sup>2</sup> Hybrid Keypads function as a dimmer and keypad combined into a single device. Hybrid Keypads are great for retro-fit applications since they eliminate the need to install two separate devices.

RadioRA<sup>2</sup> Hybrid Keypads have an available neutral wire terminal that allows them to be installed in either two-wire or neutral wire installations. Connecting the neutral wire to a Hybrid Keypad allows a lower minimum load to be used. Also, normal keypad operation will be available even if the attached load is not installed or if the lamp is burned out. If a neutral wire is available in the wallbox it should be connected to the silver terminal on the Hybrid Keypad. If a neutral wire is not available and not desired, then the silver terminal should be tightened without any wires connected to it. Hybrid Keypads can be installed in either single location or multi-location (with Remote Dimmer) installations.

RadioRA<sup>2</sup> Hybrid Keypads can be controlled as part of a lighting control system and incorporate advanced features such as fade on/fade off and rapid full on.

RadioRA<sup>2</sup> Hybrid Keypads feature large, easy-to-use buttons, plus a unique backlit engraving option that makes them readable any time of the day or night. The Hybrid Keypad buttons are rounded, allowing engraving to be displayed at an upward angle, increasing readability. RadioRA<sup>2</sup> Hybrid Keypads include a Front Accessible Service Switch (FASS<sup>TM</sup>) for safe lamp replacement.

Use only Lutron<sup>®</sup> Designer (Claro<sup>®</sup> or Satin Colors<sup>®</sup>) wallplates. The mechanical design of the keypad is ONLY compatible with Lutron<sup>®</sup> wallplates and is NOT compatible with any other manufacturer's wallplate. Wallplates are sold separately. Lutron<sup>®</sup> Claro<sup>®</sup> and Satin Colors<sup>®</sup> wallplates snap on with no visible means of attachment. Replacement Kits are available in a variety of colors and with custom engraving to identify clearly each button's function.

### Hybrid Keypads



RRD-H1RLD



RRD-H2RLD



RRD-H3BSRL



RRD-H4S



RRD-H5BRL



RRD-H6BRL

### Remote Dimmer



RD-RD

## Model Numbers

RRD-H1RLD-XX <sup>1</sup>	Dual Group with Raise/Lower Keypad and 450 W/450 VA Two-wire or Neutral Wire Dimmer 120~ (Incandescent/Halogen/Magnetic Low-Voltage)
RKD-H1RLD-XX <sup>1</sup> -E	Engraved Replacement Kit
RRD-H2RLD-XX <sup>1</sup>	Dual Group with Dual Raise/Lower Keypad and 450 W/450 VA Two-wire or Neutral Wire Dimmer 120~ (Incandescent/Halogen/Magnetic Low-Voltage)
RKD-H2RLD-XX <sup>1</sup> -E	Engraved Replacement Kit
RRD-H3BSRL-XX <sup>1</sup>	3 Button with Raise/Lower Keypad and 450 W/450 VA Two-wire or Neutral Wire Dimmer 120~ (Incandescent/Halogen/Magnetic Low-Voltage)
RKD-H3BSRL-XX <sup>1</sup> -E	Engraved Replacement Kit
RRD-H4S-XX <sup>1</sup>	4 Scene with Raise/Lower Keypad and 450 W/450 VA Two-wire or Neutral Wire Dimmer 120~ (Incandescent/Halogen/Magnetic Low-Voltage)
RKD-H4S-XX <sup>1</sup> -E	Engraved Replacement Kit
RRD-H5BRL-XX <sup>1</sup>	5 Button with Raise/Lower Keypad and 450 W/450 VA Two-wire or Neutral Wire Dimmer 120~ (Incandescent/Halogen/Magnetic Low-Voltage)
RKD-H5BRL-XX <sup>1</sup> -E	Engraved Replacement Kit
RRD-H6BRL-XX <sup>1</sup>	6 Button with Raise/Lower Keypad and 450 W/450 VA Two-wire or Neutral Wire Dimmer 120~ (Incandescent/Halogen/Magnetic Low-Voltage)
RKD-H6BRL-XX <sup>1</sup> -E	Engraved Replacement Kit
RD-RD-XX <sup>1</sup>	Remote Dimmer for multi-location installations

<sup>1</sup> "XX" in the model number represents color/finish code. See **Colors and Finishes** on page 7.

## RadioRA<sup>2</sup> Hybrid Keypads

### Specifications

<b>Model Numbers</b>	Keypads: RRD-H1RLD-XX, RRD-H2RLD-XX, RRD-H3BSRL-XX, RRD-H4S-XX, RRD-H5BRL-XX, RRD-H6BRL-XX, Engraved Replacement Kit: RKD-H1RLD-XX-E, RKD-H2RLD-XX-E, RKD-H3BSRL-XX-E, RKD-H4S-XX-E, RKD-H5BRL-XX-E, RKD-H6BRL-XX-E Remote Dimmer: RD-RD-XX
<b>Power</b>	120 V~ 50/60 Hz
<b>Typical Power Consumption</b>	0.75 W Test conditions: load is off, all backlights on medium intensity, two LEDs on (two presets active), keypad powered at 120 V~.
<b>Regulatory Approvals</b>	UL, CSA, NOM, FCC, IC, COFETEL
<b>Environment</b>	Ambient operating temperature: 32 °F to 104 °F (0 °C to 40 °C), 0% to 90% humidity, non-condensing. Indoor use only.
<b>Communications</b>	Hybrid Keypads communicate with the system through Radio Frequency (RF) and must be located within 30 ft (9 m) of a repeater. Remote dimmers are not required to be within a specific range of a repeater. System devices operate on frequencies between 431.0 MHz and 437.0 MHz.
<b>ESD Protection</b>	Tested to withstand electrostatic discharge without damage or memory loss, in accordance with IEC 61000-4-2.
<b>Surge Protection</b>	Tested to withstand surge voltages without damage or loss of operation, in accordance with IEEE C62.41-1991 Recommended Practice on Surge Voltages in Low-Voltage AC Power Circuits.
<b>Power Failure</b>	Power failure memory: should power be interrupted, the control will return to its previous state when power is restored.
<b>Mounting</b>	Requires a U.S. wallbox. 3 ½ in (89 mm) deep recommended, 2 ¼ in (57 mm) deep minimum. If mounting one control above another, leave at least 4 ½ in (114 mm) vertical space between them.
<b>Wiring</b>	Uses conventional 3-way and 4-way wiring.
<b>Warranty</b>	8 Year Limited Warranty. <a href="http://www.lutron.com/resiinfo">http://www.lutron.com/resiinfo</a>

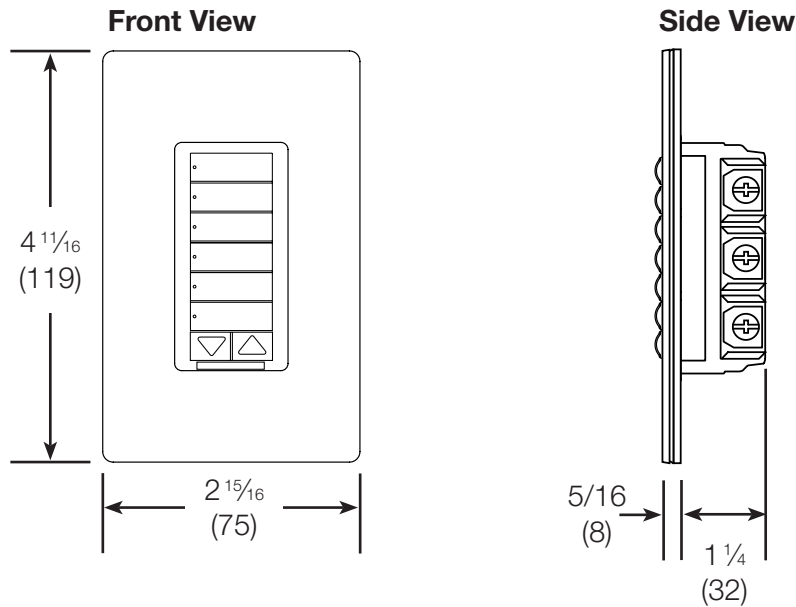
### Design Features

- Keypad buttons are programmable to select scene or room preset levels or positions.
- At the press of a keypad button, lights fade ON or OFF to desired levels and shades/draperies open or close to desired positions.
- Adjustable backlight intensity.
- Prepaid engraving included. Redeemable for one engraved Replacement Kit.
- Internal dimmer is assigned to top button by default. Tap top button to toggle load ON/OFF.
- Internal dimmer can be assigned to any button on the Hybrid Keypad and can be programmed to be controlled by any Keypad.
- Can be installed in two-wire or neutral wire applications.
- Can be installed in either single location or multi-location (with Remote Dimmer) installations.

## RadioRA<sup>2</sup> Hybrid Keypads

### Dimensions

All dimensions are shown as  $\frac{\text{in}}{\text{(mm)}}$



### Mounting and Parts Identification

