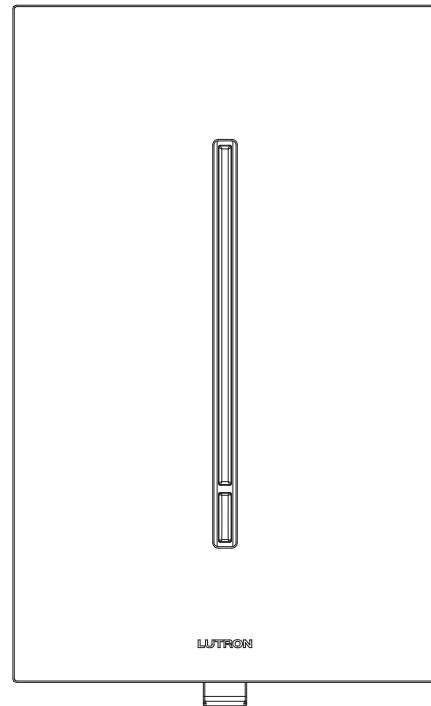


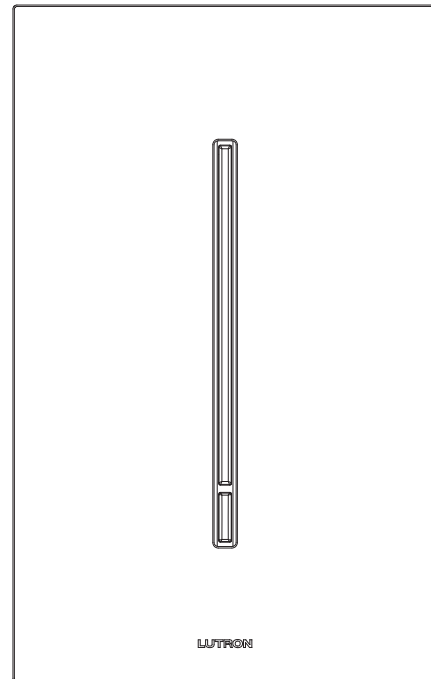
GRAFIK T™ Controls

Features

- Controls include dimmers, switches, and companion device.
- Simple touch control.
- Distinctive architectural aesthetic.
- Softly lit white LEDs indicate light level and coordinate with any décor.
- Models available with or without Clear Connect® RF wireless technology
- Clear Connect® technology (GTJ models only) compatible with:
 - Pico® wireless controls
 - Radio Powr Savr™ Occupancy/Vacancy Sensors
 - Radio Powr Savr™ Daylight Sensors
- Advanced microprocessor dimming technology for control of dimmable LED lamps.¹
- Low-end and high-end trim are available for improved LED dimming performance (dimmer only).
- Optional neutral connection available on 250 W LED models for superior LED dimming performance (dimmer only).²
- Installs in single-pole or multi-location applications. Companion devices are available for multi-location control with dimmers and switches (maximum 4 companion devices per dimmer or switch, 1 main control per circuit).
- Use Lutron® GRAFIK T™ wallplates. All controls come with white wallplate. Other colors and finishes are sold separately. See the **Colors and Finishes** on page 12 for details.
- Lutron® GRAFIK T™ wallplates snap on with no visible means of attachment.



Dimmer / Switch



Companion Device

¹ If using LED bulbs, they must be Lutron compatible! For compatibility and performance information, visit our website at www.lutron.com/led, which is constantly being updated.

² GRAFIK T™ switch requires neutral connection.

Job Name:	Model Numbers:
Job Number:	

Model Numbers

Dimmers	
GTJ-150-WH	Clear Connect® RF Technology 150 W Dimmable LED ¹ 600 W Incandescent / Halogen 2-wire dimmer (no neutral connection) Single-pole dimmer
GTJ-250M-WH	Clear Connect® RF Technology 250 W Dimmable LED ¹ 600 W Incandescent / Halogen 400 VA (300 W) Magnetic Low-Voltage with Halogen based lamps 3.3 A (400 VA) Dimmable Fluorescent ² 3.3 A (400 W) Hi-lume® A-Series LTE LED Driver (10 driver maximum) Neutral connection available Multi-location dimmer
GT-150-WH	150 W Dimmable LED ¹ 600 W Incandescent / Halogen 2-wire dimmer (no neutral connection) Single-pole dimmer
GT-250M-WH	250 W Dimmable LED ¹ 600 W Incandescent / Halogen 400 VA (300 W) Magnetic Low-Voltage with Halogen based lamps 3.3 A (400 VA) Dimmable Fluorescent ² 3.3 A (400 W) Hi-lume® A-Series LTE LED Driver (10 driver maximum) Neutral connection available Multi-location dimmer
Switches	
GT-5ANSM-WH ³	5 A Incandescent / Halogen / Fluorescent / LED / MLV / ELV / HID / Relay 3 A Fan 1/10 HP Motor Neutral connection required Multi-location Switch
GTJ-5ANSM-WH ³	Clear Connect® RF Technology 5 A Incandescent / Halogen / Fluorescent / LED / MLV / ELV / HID / Relay 3 A Fan 1/10 HP Motor Neutral connection required Multi-location Switch
Companion Device	
GT-AD-WH	Companion device (works with dimmer or switch)
Wallplates	
LWT-G-XXX ^{4,5}	Single gang GRAFIK T™ wallplate
LWT-GG-XXX ^{4,5}	Two gang GRAFIK T™ wallplate
LWT-GGG-XXX ^{4,5}	Three gang GRAFIK T™ wallplate
LWT-GGGG-XXX ^{4,5}	Four gang GRAFIK T™ wallplate

¹ If using LED bulbs, they must be Lutron compatible! For compatibility and performance information, visit our website at www.lutron.com/led, which is constantly being updated.

² Includes Mark X®, Tu-Wire®, and POWERSENSE®.

³ Not for use with receptacles or appliances (e.g., garbage disposals). See Application Note #109 for compatibility with dimmable receptacles.

⁴ "XXX" in the model number represents color/finish code. See **Colors and Finishes** on page 12 for details.

⁵ GRAFIK T™ controls cannot be ganged with Verti® controls or wallplates.

Mark X is a registered trademark of Philips Electronics North America Corporation. POWERSENSE is a registered trademark of OSRAM SYLVANIA Inc.

Job Name:	Model Numbers:
Job Number:	

Specifications

Regulatory Approvals

- UL® Listed
- cUL® Listed
- NOM Certified
- FCC/IC
- IFTEL

Power

- 120 V~ 60 Hz

Typical Power Consumption

- Dimmer/Switch: 0.2 W (GTJ models),
0.1 W (GT models)
- Companion device: 0.1 W
- Test conditions: load is off

Environment

- Ambient Temperature Operating Range:
32 °F to 104 °F (0 °C to 40 °C)
- Relative humidity: 0% to 90% non-condensing
- For indoor use only.

Performance

- Power failure memory: should power be interrupted, the control will return to its previous state when power is restored.
- Tested to withstand surge voltages without damage or loss of operation, in accordance with IEEE C62.41-1991 Recommended Practice on Surge Voltages in Low-Voltage AC Power Circuits.
- Tested to withstand electrostatic discharge without damage or memory loss, in accordance with IEC 61000-4-2.
- Dimmers/Switches communicate with Pico® wireless controls or Radio Powr Savr™ sensors through Radio Frequency (RF) and must be located within 30 ft (9 m) of these devices (GTJ models only). Companion devices do not have Clear Connect® RF technology and are not required to be within a specific range of these devices.
- Uses conventional 3-way and 4-way wiring.
- Total multi-location wire length (blue wire) between all units must not exceed 150 ft (45 m).

Application Requirements

- **When using LEDs, only Lutron® approved lamps marked or rated as Dimmable can be used.**
- If using LED bulbs, they must be Lutron compatible! For compatibility and performance information, visit our website at www.lutron.com/led, which is constantly being updated.
- For a complete list of approved DIMMABLE LEDs please visit www.lutron.com/led or call 1.800.523.9466.
- Up to 10 sensors or Pico® wireless controls can be assigned to each dimmer or switch (GTJ models only).
- Sensors can be assigned to multiple dimmers or switches (GTJ models only).

Mounting

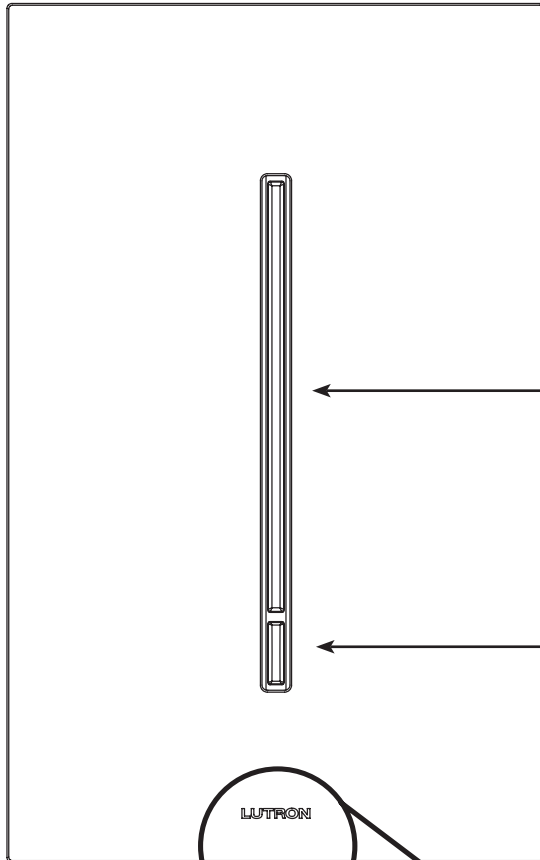
- Requires a U.S. wallbox. 3 ½ in (89 mm) deep recommended, 2 ¼ in (57 mm) deep minimum.

Warranty

- 1 Year Limited Warranty
For additional Warranty information, please visit www.lutron.com/TechnicalDocumentLibrary/369-119_Wallbox_Warranty.pdf

Job Name:	Model Numbers:
Job Number:	

Operation



Adjust

- Touch to set lights to desired level (dimmer only)
- Slide to adjust light level (dimmer only)
- Touch anywhere to toggle load On/Off (switch only)

Toggle

- Touch to turn off or to turn on to previous light level
- When On, press and hold to engage the delayed long fade to Off (dimmer only)
- Toggle button is white when On, orange when Off

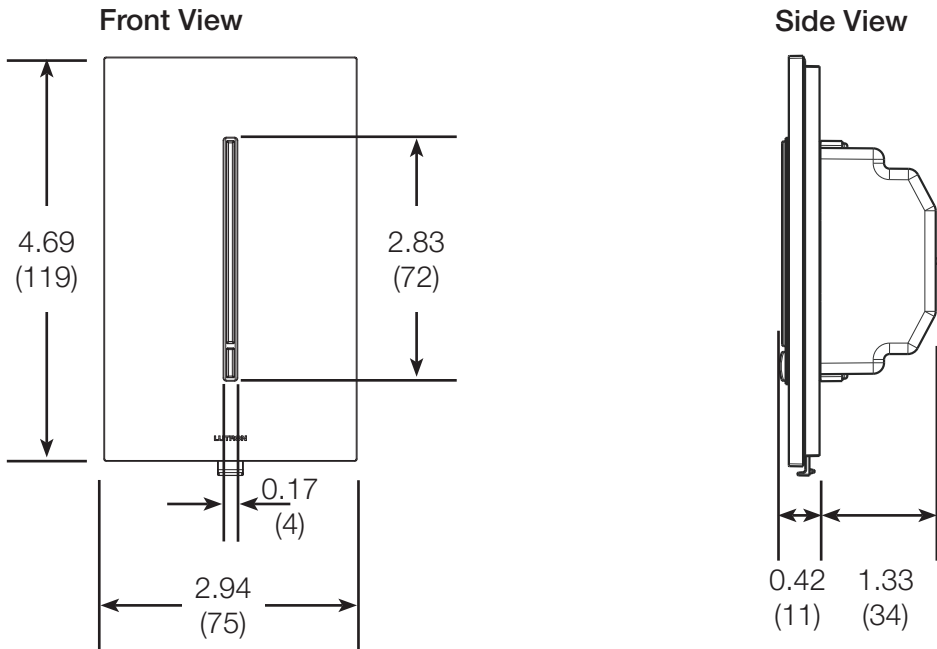
FASS™
 Front Accessible
 Service Switch
Note: The FASS™ is not available on companion devices.

IMPORTANT NOTICE:
FASS™ - Front Accessible Service Switch
 To replace lamp(s), remove power by pulling the FASS™ down fully on all main controlling devices. After replacing lamp(s), push the FASS™ back up fully to restore power to the control(s).

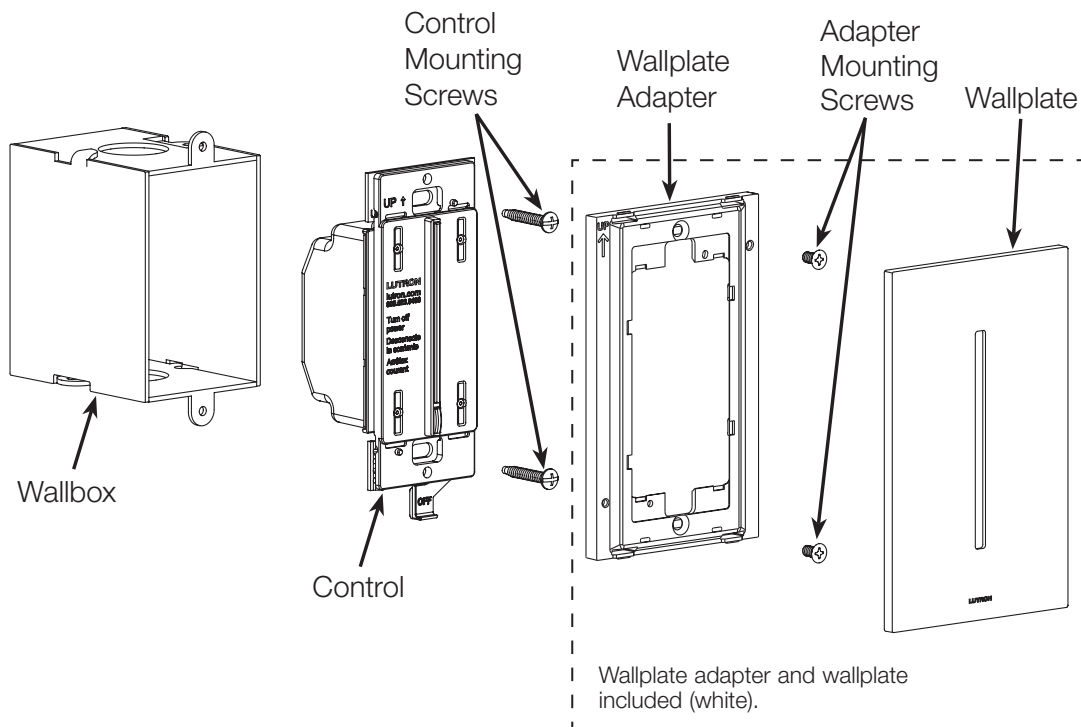
Job Name:	Model Numbers:
Job Number:	

Dimensions

All dimensions are shown as $\frac{\text{in}}{\text{(mm)}}$



Mounting and Parts Identification



Job Name:	Model Numbers:
Job Number:	