

Cabinet Cable MANAGEMENT

Vertical Cable Ladder

For Series 4000 Server & Network and Broadcast Cabinets

The cable ladder is perfect for situations where a lower profile cable management solution is required. At 6" or 10" wide, but only 1/2" deep, these ladders use up a minimum of space within the cabinet. Cutouts along the front provide easy routing of cables, while small holes offer space to install tie-wraps. A small lip on each side keeps the entire assembly rigid.

CMCLAD-002406	Vertical cable ladder 6 x 42
CMCLAD-002410	Vertical cable ladder 10 x 42
CMCLAD-004206	Vertical cable ladder 6 x 73.5
CMCLAD-004210	Vertical cable ladder 10 x 73.5
CMCLAD-004406	Vertical cable ladder 6 x 77
CMCLAD-004410	Vertical cable ladder 10 x 77
CMCLAD-004806	Vertical cable ladder 6 x 84
CMCLAD-004810	Vertical cable ladder 10 x 84

Vertical Cable Tie Bar

For Series 4000 Server and Network and Broadcast Cabinets

These cable tie bars are used to sort cables vertically throughout the cabinet. Made from 1/4" x 3/4" aluminum.

CMCALB-002400	Aluminium cable tie bar 1/4 x 3/4 x 42
CMCALB-004200	Aluminium cable tie bar 1/4 x 3/4 x 73.5
CMCALB-004400	Aluminium cable tie bar 1/4 x 3/4 x 77
CMCALB-004800	Aluminium cable tie bar 1/4 x 3/4 x 84

Rail Mounted High Density Cable Management

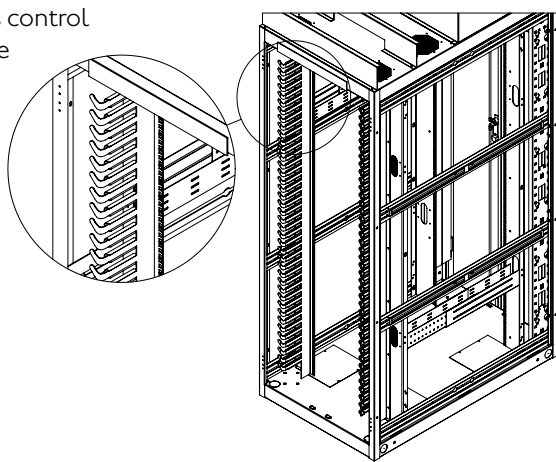
This finger style cable management is secured to the mounting rails, together forming a cable management system optimized for space and functionality. Each finger has PVC radius control inserts to protect cables against damage. Ideal for fibre and/or exceptionally large cabling installations.

CMCHDP-002407	High density vertical manager for cabinet mounting rails (42) x 7 - black - with plastic bend radius control installed on fingers
CMCHDP-004207	High density vertical manager for cabinet mounting rails (73.5) x 7 - black - with plastic bend radius control installed on fingers
CMCHDP-004407	High density vertical manager for cabinet mounting rails (77) x 7 - black - with plastic bend radius control installed on fingers
CMCHDP-004807	High density vertical manager for cabinet mounting rails (84) x 7 - black - with plastic bend radius control installed on fingers

Horizontal Cable Management Standard

Our standard managers with flip lid.

HCMSTD-190103	Horizontal cable mgt (19 x 1.75) x 3
HCMSTD-190203	Horizontal cable mgt (19 x 3.5) x 3
HCMSTD-190303	Horizontal cable mgt (19 x 5 1/4) x 3
HCMSTD-190403	Horizontal cable mgt (19 x 7) x 3
HCMSTD-230103	Horizontal cable mgt (23 x 1.75) x 3
HCMSTD-230203	Horizontal cable mgt (23 x 3.5) x 3
HCMSTD-230403	Horizontal cable mgt (23 x 7) x 3



Cabinet Cable MANAGEMENT

D-Ring Cable Management

For Series 4000 Server and Network, Zone 4 and Broadcast Cabinets

CMCREU-020004	Set of 5 cable mgt rings 2.313 x 4.5 for Universal Accessory Channel
---------------	--

Recessed Horizontal Cable Management

HCMREC-190103	Recessed horizontal cable mgt (19 x 1 3/4) x 3
HCMREC-190203	Recess horizontal cable mgt (19 x 3.5) x 3

Horizontal Cable Retainer

This unit makes your cable management projects quick and simple. A series of small steel "fingers" make routing cables easy. Rear panel is made from 14 ga. steel.

HCMRET-190103	Horizontal cable mgt 19 x 1.75 rings
HCMRET-190204	Horizontal cable mgt 19 x 3.5 rings
HCMRET-230103	Horizontal cable mgt 23 x 1.75 rings
HCMRET-230204	Horizontal cable mgt 23 x 3.5 rings

Cable Support Rod with Velcro Tie Wraps

New zero RU horizontal managers with velcro tie wraps.

HCMROV-190002	Cable support bar (19) x 2 with 5 velcro tie wraps
HCMROV-190003	Cable support bar (19) x 3.5 with 5 velcro tie wraps
HCMROV-190005	Cable support bar (19) x 5 with 5 velcro tie wraps
HCMROV-190007	Cable support bar (19) x 7 with 5 velcro tie wraps
HCMROV-190008	Cable support bar (19) x 8.5 with 5 velcro tie wraps
HCMROV-230003	Cable support bar (23) x 3.5 with 5 velcro tie wraps
HCMROV-230006	Cable support bar (23) x 6 with 5 velcro tie wraps

High Density Horizontal Cable Management

HCMHIS-190105	Horizontal cable mgt (19 x 1.75) x 5
HCMHIS-190205	Horizontal cable mgt (19 x 3.5) x 5
HCMFIG-190203	Finger style horizontal cable mgt (19 x 3.5) x 3
HCMFIG-190404	Finger style horizontal cable mgt (19 x 7) x 4

High Density Cable Tray

HCMHTY-190204	High density cable tray 2RU (19 x 3.5) x 4
---------------	--

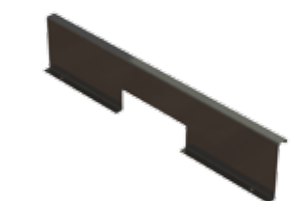
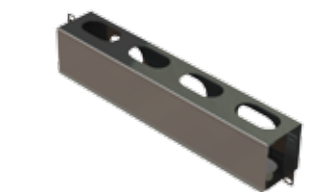
Solid Cable partition

Dividers allow you to create separate pathways for power, fiber or copper communication cables.

CMCTPS-240500	Solid top cable partition 24" (for 1 cabinet 24" wide)
CMCTPS-300500	Solid top cable partition 30" (for 1 cabinet 30" wide)
CMCTPS-720500	Solid top cable partition 72" (for 3 cabinets 24" wide)
CMCTPS-900500	Solid top cable partition 90" (for 3 cabinets 30" wide)

Cable Partition with Cutout

CMCTPP-240500	Top cable partition 24" (for 1 cabinet 24" wide)
CMCTPP-300500	Top cable partition 30" (for 1 cabinet 30" wide)
CMCTPP-720500	Top cable partition 72" (for 3 cabinets 24" wide)
CMCTPP-900500	Top cable partition 90" (for 3 cabinets 30" wide)



Cabinet ORDERING GUIDE

Company Name _____ City _____
 Province _____ Contact Name _____
 Phone _____ Email _____

Quantity of Cabinets Required _____

Frame Size

Mounting Width
 19"
 23"

Overall Height:
 48" (1219mm) 24 RU
 80" (2032mm) 42 RU
 83" (2108mm) 44 RU
 90" (2286mm) 48 RU
 Other _____

Overall Width:
 24" (610mm)
 26" (660mm)
 30" (762mm)
 40" Side Venting
 Other _____

Depth:
 30" (763mm)
 36" (914mm)
 42" (1066mm)
 48" (1219mm)
 Other _____

Horizontal Cable Management Qty _____

Open Ring
 Flip Door 3.5"
 Flip Door 5.25"
 Double Sided
 Fibre Tray
 1 U

2 U
 3 U
 4 U

Roof

Solid
 4 Fan cut-out
 Perforated
 Louvered
 Cable Entry
 Custom

Mounting Angles (PMA's)

Cage nuts
 Drilled & Tapped
 With Cable Through
 With Cable Through & Containment Brushes

Vertical Cable Management
 (1 UAC is included)
 Qty _____

Vertical Tie Bar
 Cable Ladder
 Cable Manager w/ door
 Cable U Channel
 Universal Accessories Channel
 Vertical Cable Retainer

Front Door

Acrylic (Viewing)
 Solid
 Perforated
 Louvered
 Custom
 Split

Back Door

Acrylic (Viewing)
 Solid
 Perforated
 Louvered
 Custom
 Split

Side Panels

None
 One
 Two
 Tool-less
 Louvered
 Solid
 Locking
 Perforated
 Custom

Color

Black Grey White Custom

Shelves Qty _____

Front Mount 3 RU
 Front & Rear Mount 1 RU
 Keyboard/Monitor 7 RU
 Heavy Duty (May Increase RU)
 Front Mount Sliding 3 RU
 Front & Rear Mount Sliding 1 RU
 Vented
 Depth _____

Floor

Open
 Closed
 Castors
 Cable Entry
 Cable Entry w/ Containment

PDU's Qty _____

Basic _____ # of Outlets
 Metered _____ Type of Outlet
 Monitored _____ Cord End Type
 Switched _____ Length of Cord
 Vertical
 Horizontal

Casters

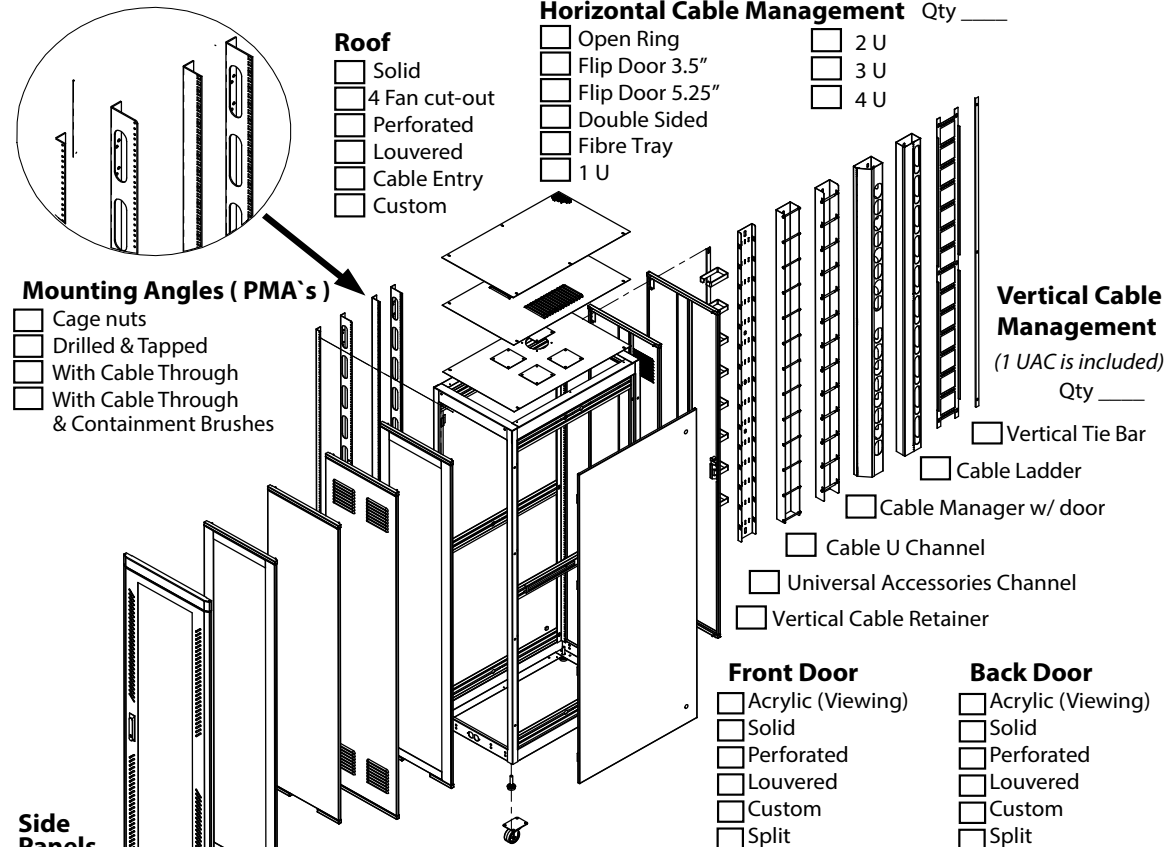
Pivoting 3" Casters

Roof (Roofs include 6 cable entry/fan cutouts with large chimney plate)

Containment brush kits for cable entry points - Qty _____
 Adjustable Height Chimney - Required Height _____

Grounding

5 ft Grounding Cable w/ Lug
 Horizontal Bus Bar
 10 ft Grounding Cable w/ Lug



Containment SOLUTIONS

HOT AISLE & COLD AISLE EFFICIENCY SOLUTIONS

Today's data centers consume more energy to meet rising demand, and efficiency is becoming a greater focus to reduce the energy demands of cooling. Experts recommend air containment rooms or systems to help isolate hot air from cold air to dramatically increase cooling efficiencies.

Electron Metal offers containment solutions for both hot air and cold air systems. We assist in the design and deployment of containment and cooling solutions that can handle up to 25kw of cooling per cabinet. Our solutions can be customized for new builds, or retrofit applications for any brand of cabinet.

SLIDING CONTAINMENT DOORS AND CLEAR POLYCARBONATE TOPS

Reduce hot spots and increase cooling efficiencies with Electron's sliding containment doors and clear polycarbonate tops. These products help to contain the conditioned air that cooling systems send into the hot or cold aisles.

Our products ensure that air flows into the air intakes of the rack-mounted IT devices to keep the cold air in and the hot air out. And, alternatively, they contain hot air so precision air conditioning units can keep hot air in that aisle and the cold air out.



Sliding Containment Doors:

Clear Polycarbonate

Electron Metal offers sliding containment doors for 3 and 4 foot aisles. Custom sizes and hinged containment doors are also available.

ACDKLN-004436	Clear polycarbonate containment door (77) x 36
ACDKLN-004448	Clear polycarbonate containment door (77) x 48

Clear Polycarbonate Containment Tops

Clear polycarbonate containment tops are easy to install and allow for the existing lighting to be utilized.

ACTKLN-240036	Clear polycarbonate top 24"W x 36"D
ACTKLN-240048	Clear polycarbonate top 24"W x 48"D
ACTKLN-300036	Clear polycarbonate top 30"W x 36"D
ACTKLN-300048	Clear polycarbonate top 30"W x 48"D



Containment SOLUTIONS

CONTAINMENT EXHAUST SOLUTION: HOT AIR CHIMNEY

Hot air chimneys help remove hot exhaust from servers more efficiently. This capability and simple technology makes the chimney approach an attractive and cost effective option to offer effective cooling solutions. Electron Metal offers passive and fan powered chimney solutions and can also offer retrofit solutions for existing cabinets in some cases.

All of Electron Metal's Series 4000 cabinets come standard with tops with chimney cut outs, to enable chimneys to be deployed immediately, or added if heat loads increase. We also offer active chimneys designed to handle excessive heat loads that exceed a passive system's capabilities.

Chimneys

Standard sizes listed below but any heights can be offered.

EXHCHI-212414	Exhaust chimney 24 x 24 x 14
EXHCHI-272414	Exhaust chimney 30 x 24 x 14

Air Containment Brushes

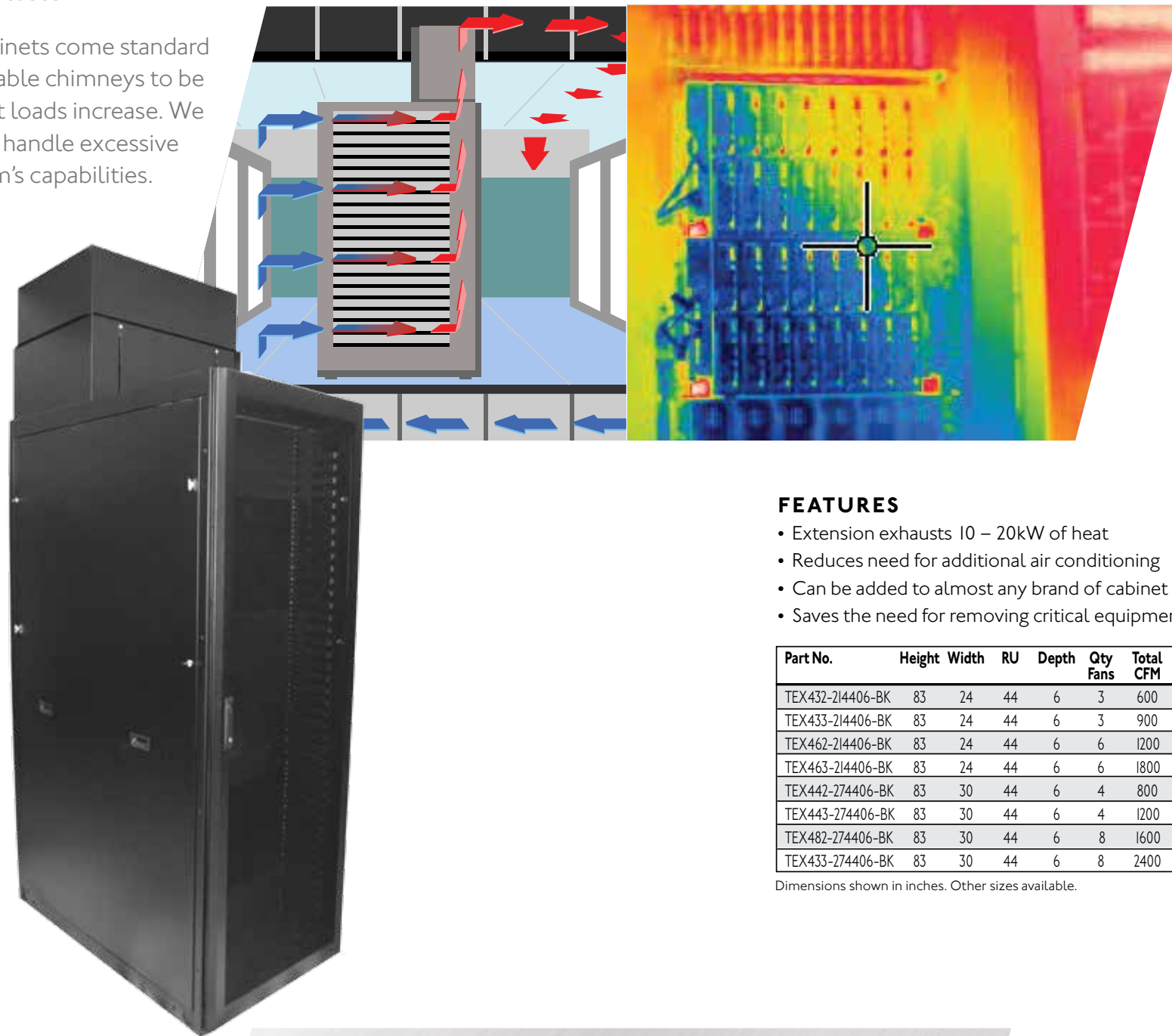
Proper airflow is important for cooling systems to work efficiently. Manage and control airflow with Electron's Air lock containment brushes.

VENALB-060006	Air locking brush kit for 6 x 6 opening
---------------	---

Bottom Floor Plates

All Electron Cabinets come standard with open bottoms, choose from our selection of floor plates help to better control airflow.

CV4SOL-000030	Series 4000 solid bottom floor plate 30" deep
CV4SOL-000036	Series 4000 solid bottom floor plate 36" deep
CV4SOL-000042	Series 4000 solid bottom floor plate 42" deep
CV4SOL-000048	Series 4000 solid bottom floor plate 48" deep
CV4CAL-000030	Series 4000 cover bottom plate 30" with cutout and air locking brush
CV4CAL-000036	Series 4000 cover bottom plate 36" with cutout and air locking brush
CV4CAL-000042	Series 4000 cover bottom plate 42" with cutout and air locking brush
CV4CAL-000048	Series 4000 cover bottom plate 48" with cutout and air locking brush



THERMEX EXTENSIONS: RETROFIT

Electron Metal ThermEX Extensions were designed for managing high heat density applications. The system allows you to add up to 20kW of heat exhaust to existing cabinets. The extensions exhaust into your air plenum. Fully tested in some of today's most demanding applications, ThermEX Extensions offer one of the most cost effective cooling solutions on the market today.

FEATURES

- Extension exhausts 10 – 20kW of heat
- Reduces need for additional air conditioning
- Can be added to almost any brand of cabinet
- Saves the need for removing critical equipment

Part No.	Height	Width	RU	Depth	Qty Fans	Total CFM
TEX432-214406-BK	83	24	44	6	3	600
TEX433-214406-BK	83	24	44	6	3	900
TEX462-214406-BK	83	24	44	6	6	1200
TEX463-214406-BK	83	24	44	6	6	1800
TEX442-274406-BK	83	30	44	6	4	800
TEX443-274406-BK	83	30	44	6	4	1200
TEX482-274406-BK	83	30	44	6	8	1600
TEX433-274406-BK	83	30	44	6	8	2400

Dimensions shown in inches. Other sizes available.

Containment SOLUTIONS

RELAY RACKS

Electron Metal offers many cost effective open relay computer rack options. If you need a 2 Post Relay Rack, Zone 4 Rack or 4 Post Open Rack, we are sure to have an option that will work for your application. And, if we don't, we'll build one specifically tailored to your needs.

Series 710 Relay Rack

The two post, Series 710 heavy duty relay rack is perfect for installations that require minimum space and maximum versatility. Our Series 710 relay racks come fully assembled and are available in many different sizes, along with a full line of cable management options and accessories.

FEATURES

- Fully welded frame made from 12 ga. steel is ready to use
- Base plates are made from thick, 3" x 5" steel angles
- Rack is designed to be bolted to the floor
- Holes tapped 10-32 at standard EIA spacing on front or both front and rear of the uprights
- Sides of rack feature holes to mount cable management accessories or to gang racks together
- Also available for 23" rackmount

Many sizes available

Part No.	Description	Height	RU
RK1FC2-194400	Square hole cage nuts style 2 sides	82.6	44
RK1FR1-192400	Tapped 1 side	47.6	24
RK1FR1-194400	Tapped 1 side	82.6	44
RK1FR1-194800	Tapped 1 side	89.6	48
RK1FR2-192400	Tapped 2 sides	47.6	24
RK1FR2-194400	Tapped 2 sides	82.6	44
RK1FR2-194800	Tapped 2 sides	89.6	48
RK1FR2-195200	Tapped 2 sides	96.6	52

Relay Racks: Aluminium Racks

RKAFRA-194400-BK Aluminum knock-down rack 44RU black

Relay Racks: Grounding and Bonding

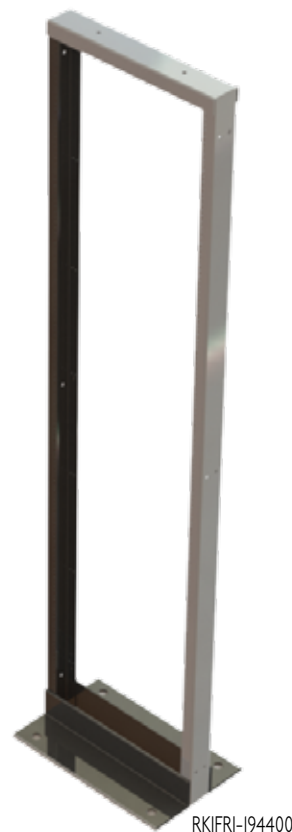
RKZISK-190000	Zone 4 rack isolation kit, 2 pcs glastic 1/8 x 24 x 6 / 4 nylon bushings
ELEGH2-190103	19x1x3/16 tap 1/4-20 @ 5/8c-c
ELEGHK-190010	Horizontal grounding kit with 10ft #6AWG
ELEGWI-061005-GN	6AWG FT4 5ft ground cable w/lug
ELEGWI-061010-GN	6AWG FT4 10ft ground cable w/lug



ELEGWI-061005-GN



ELEGHK-190010



RK1FR1-194400

RELAY RACKS

Series 800 Relay Rack

The two post, Series 800 relay rack is for installations that do not permit bolting the rack to the floor. It has a large, free-standing base that can even be mounted on casters for easy mobility. Includes pre-drilled and tapped uprights, comes fully assembled.

FEATURES

- Fully welded frame made from 12 ga. steel is ready to use
- Free standing rack, no need to bolt to floor
- Base can easily be equipped with casters
- Holes tapped 10-32 at standard E.I.A. spacing on front or both front and rear of the uprights
- Sides are equipped with holes for cable management or to gang racks together
- Rack is available in many sizes
- Side cable management optional
- Also available for 23" rackmount

Part No.	Description	Height	RU
RK8FR1-192600	Tapped 1 side	45.5	26
RK8FR1-194600	Tapped 1 side	80.5	46
RK8FR1-195000	Tapped 1 side	87.5	50
RK8FR2-192600	Tapped 2 sides	45.5	26
RK8FR2-194600	Tapped 2 sides	80.5	46
RK8FR2-195000	Tapped 2 sides	87.5	50



RK8FR1-194600

Zone 4 Relay Rack

Our Zone 4 relay rack is BELLCORE GR-63-CORE tested and certified compliant. Designed for maximum durability and resistance during earthquakes or other vibrations. Extra heavy duty construction will help protect your expensive equipment from damage during a seismic event.

FEATURES

- Ultra-heavy duty welded 11 ga. steel construction
- Heavy duty 6" x 3" side channels for maximum rigidity
- Extra welds provide superior strength
- Mounting holes tapped 10-32 at standard EIA spacing
- Large, bolt down base
- Rack accepts cable management accessories
- Available in 19" or 23" rackmount sizes

Part No.	Description	Width	Height	RU
RKZFR2-194400	19" rack mount, tapped 2 sides	24	84.060	44
RKZFR2-234400	23" rack mount, tapped 2 sides	28	84.060	44



RKZFR2-194400

RELAY RACKS

Open 4 Post Racks – Adjustable Depth

Electron Metal's Open four post racks offer more stability and flexibility than two post solutions. Electron Metal offers four standard stock models with adjustable depths. We offer customization, please contact us if you need different size options. Many vertical, horizontal, front-to-back and top management options are available. Buy a kit or customize your own.

FEATURES

- Robust 12awg steel welded mounting rails
- Heavy duty welded base plates for great stability and anchoring
- Universal cage nut rails (ships with 100 cage nuts)
- 2 models covering 26" to 42" depths
- Easy to install with limited number of parts
- Side mounting holes for attaching cable management or accessories
- Ability to gang multiple 4 post racks together
- Works with many 2 post rack and cabinet accessories
- Easily customizable to your specific requirements
- Compact shipping dimensions reduce freight costs
- Also available with tapped rails



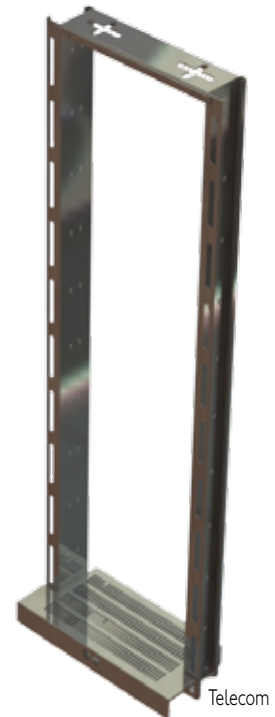
RKDKIC-194428

4 Post Racks – Adjustable Depth

Part No.	Description	Width	Depth	Height	RU
RKDKIC-194428	Double rack cage-nuts	20.5	26 to 38	82.7	44
RKDKIC-194432	Double rack cage-nuts	20.5	30 to 42	82.7	44
RKDKIC-194828	Double rack cage-nuts	20.5	26 to 38	89.7	48
RKDKIC-194832	Double rack cage-nuts	20.5	30 to 42	89.7	48
RKDKIT-194428	Double rack tapped	20.5	26 to 38	82.7	44
RKDKIT-194432	Double rack tapped	20.5	30 to 42	82.7	44
RKDKIT-194828	Double rack tapped	20.5	26 to 38	89.7	48
RKDKIT-194832	Double rack tapped	20.5	30 to 42	89.7	48

Telecom Relay Racks

Part No.	Description	Width	Height	RU
RKTFR I-194500	Telecom rack 19" rack mount	22	84	45
RKTFR I-234500	Telecom rack 23" rack mount	26	84	45



Telecom

Relay Rack Accessories & CABLE MANAGEMENT

RELAY RACK CABLE MANAGEMENT

Vertical Cable Management

Part No.	Overall Dimension			
	Width	Height	Depth	RU
	A	B	C	
CMRSTD-050806	5	14.3125	6	8
CMRSTD-051206	5	25.3125	6	12
CMRSTD-052006	5	39.3125	6	20
CMRSTD-052406	5	46.3125	6	24
CMRSTD-054406	5	81.3125	6	44
CMRSTD-054806	5	88.3125	6	48
CMRSTD-074406	7.5	81.3125	6	44
CMRSTD-074806	7.5	88.3125	6	48
CMRSTD-104406	10	81.3125	6	44
CMRSTD-104806	10	88.3125	6	48
CMRDBD-054406*	5	81.3125	6	44

*Split Door

Cable Management Extension

Part No.	Overall Dimension		
	Width	Height	Depth
	A	B	C
CMREXT-052406	5	24	6
CMREXT-053606	5	36	6
CMREXT-054806	5	48	6

Top Cable Management

Part No.	Overall Dimension		
	Width	Height	Depth
	A	B	C
CMRTOP-300506	30.5	5	6
CMRTOP-340506	34.5	5	6
CMRTOP-610506	61	5	6

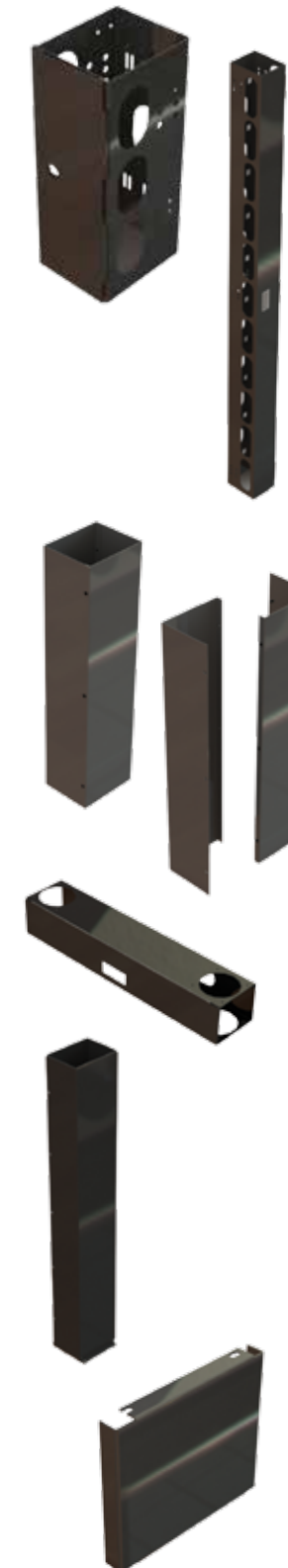
Other dimensions available

Cable Chimney

Part No.	Overall Dimension		
	Width	Height	Depth
	A	B	C
CBMCHM-043604	4	36	4
CBMCHM-044804	4	48	4

End Cap Top Cable Management

CMRSDC-000506	End cap for 5 x 6 top cable mgt
---------------	---------------------------------



Relay Rack Accessories & CABLE MANAGEMENT

High Density Cable Management

Part No.	Overall Dimension			
	Width	Height	Depth	RU
	A	B	C	
CMRSPL-084407	8	77.75	7	44
CMRSPL-084807	8	84.75	7	48
CMRSPL-124407	12	77.75	7	44
CMRSPL-124807	12	84.75	7	48



High Density Cable Management with Door

Part No.	Overall Dimension			
	Width	Height	Depth	RU
	A	B	C	
CMRSDR-064407	6	77.75	7	44
CMRSDR-084407	8	77.75	7	44
CMRSDR-084807	8	84.75	7	48
CMRSDR-124407	12	77.75	7	44
CMRSDR-124807	12	84.75	7	48

RELAY RACKS: HORIZONTAL CABLE MANAGEMENT

Horizontal Cable Management Standard

HCMSTD-190103	Horizontal cable mgt (19 x 1.75) x 3
HCMSTD-190203	Horizontal cable mgt (19 x 3.5) x 3
HCMSTD-190303	Horizontal cable mgt (19 x 5 1/4) x 3
HCMSTD-190403	Horizontal cable mgt (19 x 7) x 3
HCMSTD-230103	Horizontal cable mgt (23 x 1.75) x 3
HCMSTD-230203	Horizontal cable mgt (23 x 3.5) x 3
HCMSTD-230403	Horizontal cable mgt (23 x 7) x 3



Recessed Horizontal Cable Management

HCMREC-190103	Recessed horizontal cable mgt (19 x 1 3/4) x 3
HCMREC-190203	Recessed horizontal cable mgt (19 x 3.5) x 3



Horizontal Cable Retainer

HCMRET-190103	Horizontal cable mgt 19 x 1.75 rings
HCMRET-190204	Horizontal cable mgt 19 x 3.5 rings
HCMRET-230103	Horizontal cable mgt 23 x 1.75 rings
HCMRET-230204	Horizontal cable mgt 23 x 3.5 rings



Cable Support Rod with Velcro Tie Wraps

HCMROV-190002	Cable support bar (19) x 2 with 5 velcro tie wraps
HCMROV-190003	Cable support bar (19) x 3.5 with 5 velcro tie wraps
HCMROV-190005	Cable support bar (19) x 5 with 5 velcro tie wraps
HCMROV-190007	Cable support bar (19) x 7 with 5 velcro tie wraps
HCMROV-190008	Cable support bar (19) x 8.5 with 5 velcro tie wraps
HCMROV-230003	Cable support bar (23) x 3.5 with 5 velcro tie wraps
HCMROV-230006	Cable support bar (23) x 6 with 5 velcro tie wraps



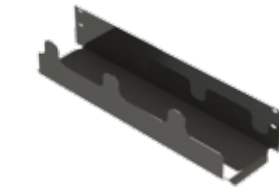
High Density Horizontal Cable Management

HCMHIS-190105	Horizontal cable mgt (19 x 1.75) x 5
HCMHIS-190205	Horizontal cable mgt (19 x 3.5) x 5
HCMFIG-190203	Finger style Horizontal cable mgt (19 x 3.5) x 3
HCMFIG-190404	Finger style Horizontal cable mgt (19 x 7) x 4



High Density Cable Tray

HCMHTY-190204	High density cable tray 2RU (19 x 3.5) x 4
---------------	--



Blanking Panels

(Also available in aluminum and vented)

BPSFST-190100	Tool-less blank panel 19 x 1U
BPSFST-190200	Tool-less blank panel 19 x 2U
BPSFST-190300	Tool-less blank panel 19 x 3U
BPSFST-190400	Tool-less blank panel 19 x 4U
BPSFST-190500	Tool-less blank panel 19 x 5U



BPSFDS-190100

BPSFDS-190100	Formed steel blank panel 19 x 1U
BPSFDS-190200	Formed steel blank panel 19 x 2U
BPSFDS-190300	Formed steel blank panel 19 x 3U
BPSFDS-190400	Formed steel blank panel 19 x 4U
BPSFDS-190500	Formed steel blank panel 19 x 5U



BPSFDS-190300

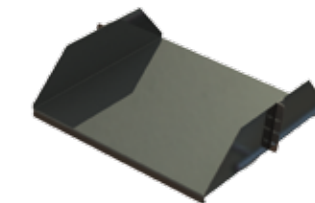


BPSFDS-190500

SHELVES FOR RELAY RACKS

Heavy Duty Center Mount Shelves

SHDCMT-190318	3U HD Center mount shelf 19 x 18
SHDCMT-190324	3U HD Center mount shelf 19 x 24
SHDCMT-190328	3U HD Center mount shelf 19 x 28



Heavy Duty Front Mount Shelves

SHDFMT-190420	4U HD Front mount shelf 19 x 20
SHDFMT-190424	4U HD Front mount shelf 19 x 24

Center Mount Shelf (Also available vented)

SHFCMT-190218	2U Center mount shelf 19 x 18
SHFCMT-190220	2U Center mount shelf 19 x 20
SHFCMT-190224	2U Center mount shelf 19 x 24



2 Post Rack ORDERING GUIDE

Company Name _____ City _____
 Province _____ Contact Name _____
 Phone _____ Email _____

Frame Size
 Mounting Width
 19"
 23"
 Overall Height:
 48"(1219mm) 24 RU
 70"(1778mm) 40 RU
 83"(2108mm) 44 RU
 90"(2286mm) 48 RU
 Other _____

Drilled and Tapped
 One side
 Both Sides

Quantity of Racks Required _____

Grounding
 5 ft Grounding Cable w/ Lug
 Horizontal Bus Bar (19"L x 1"H x .187"D)
 10 ft Grounding Cable w/ Lug

Cable Chimney (5"W x 6"D)
 24"
 36"
 48"

Horizontal Cable Management Qty____
 Open Ring
 Flip Door 3.5" Deep
 Flip Door 5.25" Deep
 Double Sided Flip Door
 Fibre Tray
 Top Horizontal Management

1 U
 2 U
 3 U
 4 U

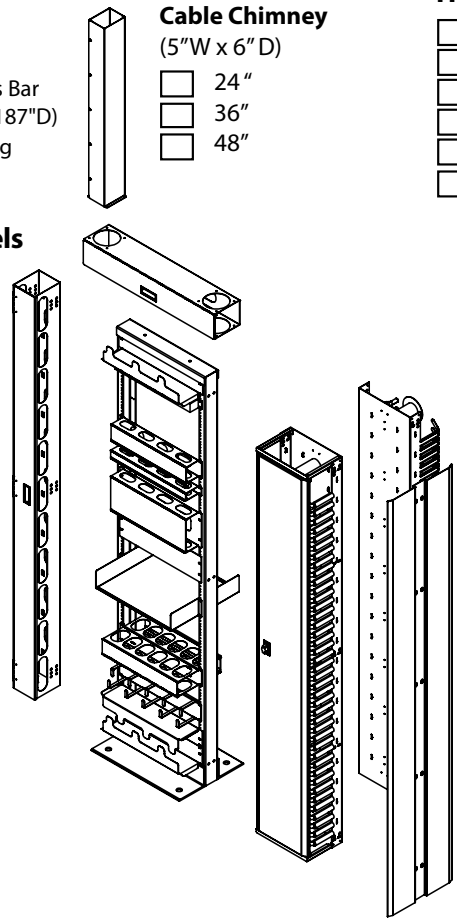
Blanking Panels
 1U Qty _____
 2U Qty _____
 3U Qty _____
 4U Qty _____
 5U Qty _____
 6U Qty _____
 7U Qty _____

Vertical Cable Management Qty____
 High Density w/ Fibre spools
 8"W x 7"D
 12"W x 7"D
 With Doors
 Front & Back
 Cable Manager w/door
 5"W x 6"D
 7.5"W x 6"D
 10"W x 6"D
 Front & Back

PDU's
 Basic
 Metered
 Monitored
 Switched
 Managed
 Vertical
 Horizontal
 _____ Number of Outlets
 _____ Type Of Outlet
 _____ Cord End Type
 _____ Length of Cord

Shelves Qty____ Depth____
 Front Mount 3 RU
 Center Mount 2 RU
 Keyboard/Monitor 7 RU
 Heavy Duty Front Mount (May Increase RU)
 Heavy Duty Center Mount (May Increase RU)
 Front Mount Sliding 3 RU

Color Black Other _____



4 Post Rack ORDERING GUIDE

Company Name _____ City _____
 Province _____ Contact Name _____
 Phone _____ Email _____

Quantity of Racks Required _____
 Overall Height:
 83"(2108mm) 44 RU
 90"(2286mm) 48 RU
 Other _____
 Vertical Rails:
 Drilled and Tapped
 Cage Nuts
 Depth:
 26" to 38" (660mm to 965mm)
 30" to 42" (762mm to 1067mm)

Grounding
 5 ft Grounding Cable w/ Lug
 Horizontal Bus Bar (19"L x 1"H x .187"D)
 10 ft Grounding Cable w/ Lug

Horizontal Cable Management Qty____
 Open Ring
 Flip Door 3.5" Deep
 Flip Door 5.25" Deep
 Double Sided Flip Door
 Fibre Tray
 Top Horizontal Management

1 U
 2 U
 3 U
 4 U

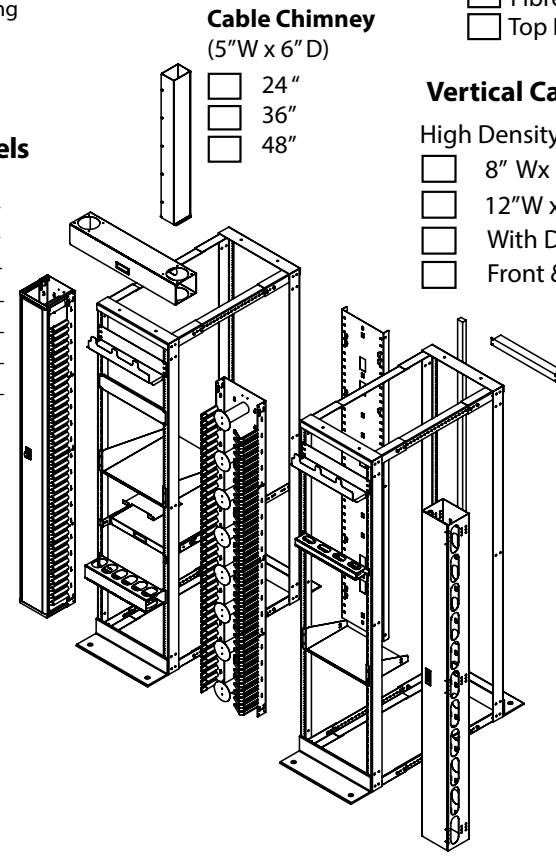
Blanking Panels
 1U Qty _____
 2U Qty _____
 3U Qty _____
 4U Qty _____
 5U Qty _____
 6U Qty _____
 7U Qty _____

Vertical Cable Management Qty____
 High Density w/ Fibre spools
 8" Wx 7"D
 12"W x 7"D
 With Doors
 Front & Back
 Cable Manager w/door
 5"W x 6"D
 7.5"W x 6"D
 10"W x 6"D
 Universal Accessories Channel

PDU's
 Basic
 Metered
 Monitored
 Switched
 Managed
 Vertical
 Horizontal
 _____ Number of Outlets
 _____ Type Of Outlet
 _____ Cord End Type
 _____ Length of Cord

Shelves Qty____ Depth____
 Front Mount 3 RU
 Front & Rear Mount 1 RU
 Keyboard/Monitor 7 RU
 Heavy Duty (May Increase RU)
 Front Mount Sliding 3 RU
 Front & Rear Mount Sliding 1 RU
 Vented

Color Black Other _____



WALL MOUNTS

With today's ever expanding applications in IT, Security and building automation, and the diminishing size of electronic equipment, wall mounted racks and cabinets are becoming more popular. Electron Metal offers custom wall mounted racks and cabinets in a wide range of sizes and styles at competitive prices. We offer Reversed Wall Mount Cabinets and Slim Line Low Profile Wall Mount Cabinets.

WALL MOUNT CABINETS

Reversed Wall Mount Cabinet

The 4" hinged section is mounted on the rear of the cabinet, so your equipment can be installed into the deep mid-section of the cabinet, allowing for much deeper equipment than other models. This cabinet also includes a locking front acrylic door, cable entry cutouts on the rear sections, and fan cutouts for optional ventilation fans. It also has sliding PMA's for even greater adjustability, as offered in our full size cabinets.

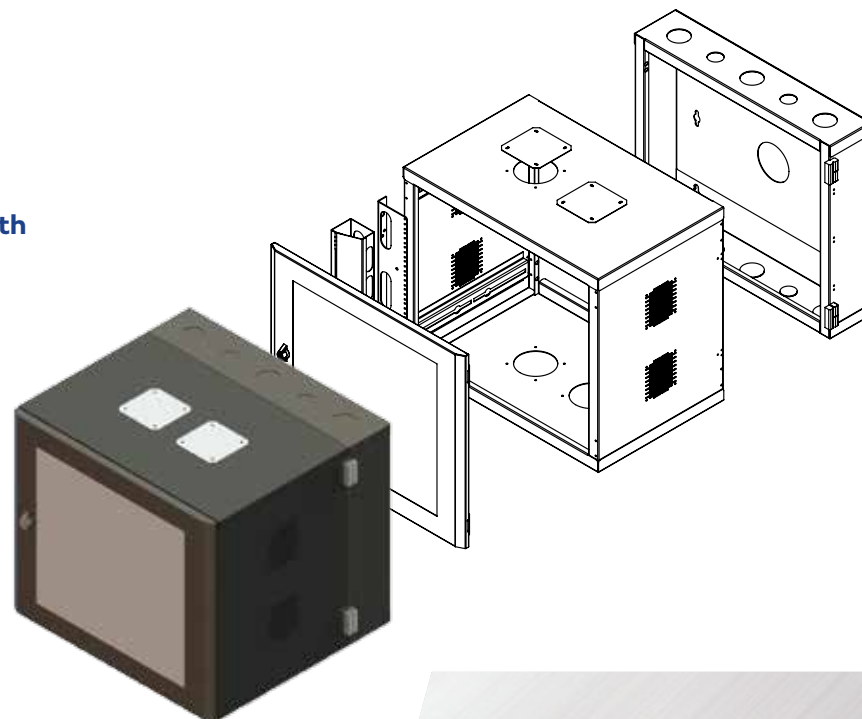
FEATURES

- Fully welded 14 ga. & 16 ga. steel construction
- Top and bottom cutouts for fans or cable entry
- Locking front acrylic door
- Locking swing out rear section
- Adjustable PMA's
- Many sizes available
- 19" or 23" rackmount

Part No.	Overall Dimension			
	Width	Height	Depth	RU
	A	B	C	
WMCREI-191224	24	24	24	12
WMCREI-191624	24	31	24	16
WMCREI-192124	24	39.75	24	21

Reversed Wall Mount Cabinet with Vertical Cable Management

Part No.	Overall Dimension			
	Width	Height	Depth	RU
	A	B	C	
WMCRCI-251224	28	24	24	12
WMCRCI-251624	28	31	24	16
WMCRCI-252124	28	39.75	24	21



WALL MOUNTS

SLIM LINE: LOW PROFILE WALL MOUNT CABINETS

Slim Line: Low Profile Wall Mount Cabinets

Our Slim Line Wall Mount cabinets were designed for applications where a traditional deep wall mount cabinet or rack won't work due to reduced space. Typically used in hallways or small telecom closets, our Slim Line cabinets allow equipment to be mounted vertically, so that the depth of the cabinet is kept to a minimum. Customize to your exact requirements.

FEATURES

- Slim design allows for installation almost anywhere
- Lockable door for security
- Dustproof versions for industrial or dirty applications
- Variety of sizes to suit your requirements
- Multiple cable entry points

Part No.	Overall Dimension			
	Width	Height	Depth	RU
	A	B	C	
WMCLOP-190424	26	24	10	4
WMCLOP-190436	26	36	10	4
WMCLOP-190736	26	36	15.25	7



Low Profile Wall Mount Supports

Part No.	Overall Dimension	
	Width	Height
WMC-0030788-001	AC 25 wall mount support bracket	2RU (19 x 3.5) x 16
WMC-0020016-001	AC 50 wall mount support bracket	5RU (19 x 8.75) x 16
WMC-0020016-002	AC 60 wall mount support bracket	7RU (19 x 12.25) x 16



WALL MOUNTS

WALL MOUNT SWING-OUT RELAY RACKS

Wall mount Swing-out Relay racks are designed to support smaller equipment. It allows for an easy swing-away access to the rear of your equipment. This type of rack features bolt together construction for easy installation. It can hold up to 75 lbs of equipment and can be installed to pivot either left or right. Also available in a heavy duty construction, capable of holding up to 150lbs of equipment.

FEATURES

- Easy bolt together construction
- Easily reversible swing-out section
- 19" rackmount applications
- Many sizes available to suit your requirements
- Includes all hardware for easy assembly

Wall Mount Swing-out Relay Racks Standard

Part No.	Overall Dimension			
	Width	Height	Depth	RU
	A	B	C	
WRSFKT-192718	20.5	50.5	18	27
WRSFKT-194418	20.5	80.375	18	44
WRSFKT-194818	20.5	87.375	18	48

Wall Mount Swing-out Relay Racks Heavy Duty

Part No.	Overall Dimension			
	Width	Height	Depth	RU
	A	B	C	
WRSSHD-191225	20	28.63	25	12
WRSSHD-192025	20	42.63	25	20

Wall Mount Swing-out Relay Racks Light Duty

Part No.	Overall Dimension			
	Width	Height	Depth	RU
	A	B	C	
WRSSLD-191212	20	28.63	12	12
WRSSLD-191218	20	28.63	18	12
WRSSLD-192012	20	42.63	12	20
WRSSLD-192018	20	42.63	18	20



WALL MOUNTS

WALL MOUNT SWING-OUT RELAY RACKS

Wall Mount Relay Racks

The Wall Mount relay rack is great for situations where heavy equipment is required to be wall mounted. This rack will support more weight and more equipment than a standard wall mount bracket. It has similar construction to standard relay racks and includes brackets to fix the frame to a wall. Holes are tapped 10-32 at standard E.I.A. spacing on the front only.

FEATURES

- Accepts more equipment than wall mount brackets
- Designed for 19" rackmount equipment
- Extra long mounting brackets provide ample room for deep equipment
- Many heights available
- Includes mounting holes for cable management accessories

Part No.	Overall Dimension			
	Width	Height	Depth	RU
	A	B	C	
WMRFIX-191216	20.5	24.25	19.25	12
WMRFIX-192016	20.5	38.25	19.25	20
WMRFIX-192416	20.5	45.25	19.25	24



Wall Mount brackets – Adjustable Depth

Electron Metal offers a wide variety of wall mount brackets. These are used when smaller equipment is required to be mounted on a wall, such as patch panels and other small equipment. Great for use in small office networking rooms. Brackets come with either one or two hinges, for easy access to the rear of equipment, cable entry hole on rear, cable tie down lancements, and rails pre-tapped 10-32 at standard E.I.A. spacing. Available in 19" rackmount only, fixed depth or adjustable.

FEATURES

- Light weight, sturdy construction
- Pre-punched holes for wall mounting
- Large cable access cutout on rear
- Includes many cable tie-down lancements
- Availability of single or double hinges
- Adjustable depth model also available
- Accepts 19" equipment
- Large variety of models and sizes

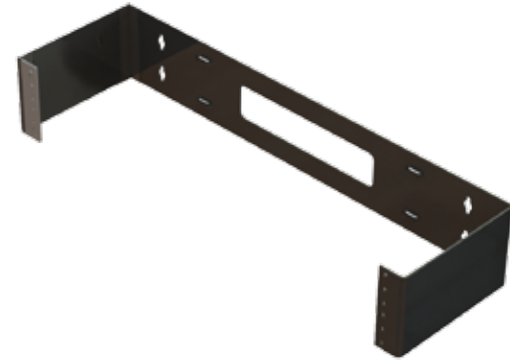
Part No.	Overall Dimension			
	Width	Height	Depth	RU
	A	B	C	
WMBADJ-190414	20	7	9 to 14	4
WMBADJ-190614	20	10.5	9 to 14	6
WMBADJ-190814	20	14	9 to 14	8



WALL MOUNTS

Wall Mount brackets Double-hinged fixed depth

Part No.	Overall Dimension			
	Width	Height	Depth	RU
	A	B	C	
WMBHD2-190206	20	3.5	6	2
WMBHD2-190406	20	7	6	4
WMBHD2-190806	20	14	6	8
WMBHD2-190414	20	7	14	4
WMBHD2-190814	20	14	14	8



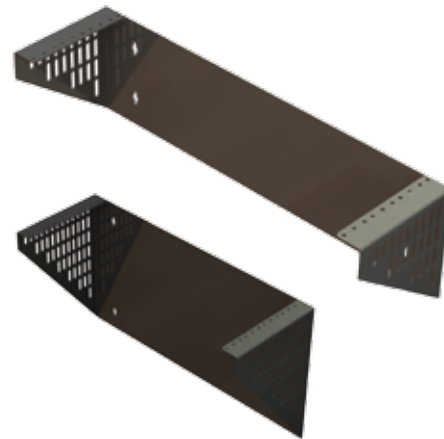
Wall Mount brackets Foldable (flat pack)

Part No.	Overall Dimension			
	Width	Height	Depth	RU
	A	B	C	
WMBFOL-191120	20	19.5625	20	11



Wall Mount Hub-brackets

Part No.	Overall Dimension			
	Width	Height	Depth	RU
	A	B	C	
WMBVER-190112	20.5	12	2.75	1
WMBVER-190212	20.5	12	4.5	2
WMBVER-190305	20.5	5.75	5.75	3
WMBVER-190411	20.5	11	7.5	4
WMBVER-190611	20.5	11	11	6
WMBVER-190712	20.5	12	12.75	7



Wall Mount Hub-shelf

Part No.	Overall Dimension			
	Width	Height	Depth	RU
	A	B	C	
WMB-0020027-001	20	11.125	9 to 14	4



LAN FURNITURE & RACKS

TYPES OF LAN FURNITURE AND RACKS

Electron Metal LAN rack solutions are perfect for situations where a standard cabinet or relay rack is not needed. LAN racks are offered in a wide range of sizes, and can be outfitted with an assortment of tabletops, shelves and pans to suit your needs. They feature an easy installation design, which doesn't require any screws or special tools to remove and install accessories.

LAN Racks with Integrated Cable Management

An integrated vertical and horizontal cable management system is included with every LAN Rack frame, and keeps all wiring easily accessible but hidden within the frame.

Long support legs mounted on adjustable rubber insulated leveling feet keep everything straight and level. Shelves are simply hooked into small slots along the front of the rack.

