

## OR1013

ORION Low Voltage Track Fixture  
Track Systems

Job Information		
Project Name		Type
Location		
Quantity		Date
Contact/Phone		
Notes		

### Features

#### Body

Constructed of die cast aluminum which provides superior strength and rigidity. Softened edges adds up to the low profile aesthetic design. Serrated sides for easy gripping.

#### Transformer

Solid state electronic transformers provide noise-free voltage reduction and operation. 120V AC to 12V AC.

#### Lamping

Porcelain socket for 12V MR16 lamps, 50 watts max. A high temperature glass shield is included, mounted to front of lamp fixture.

#### Adjustability

Lamp housing is controlled with an adjustable yoke that would provide custom aiming; 330° horizontal rotation and 90° vertical rotation.

#### Dimming

The track fixture is dimmable when used with electronic low voltage rated dimming controls only. 120V / 60Hz input; 12V output; 50W maximum load.

#### Compatibility

Liteline track fixtures are compatible with Juno®, Halo® and most brands configured to Halo® track system design.

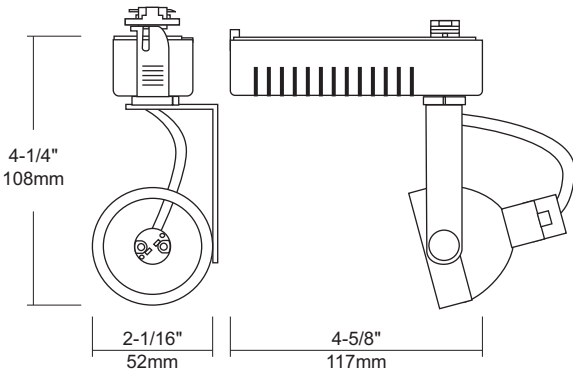
#### Labels

- cULus listed.

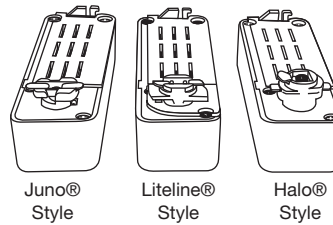


### Description

ORION is a low voltage die cast aluminum track fixture for MR16 12V lamps. The ORION features a minimalist design with a contemporary look. It provides directional light source for specific aiming and assures a secure lock on the angle position.



### Connector Compatibility Chart



**Notes:** Accessories should be ordered separately. For additional options please consult your Liteline representative. Juno is a registered trademark of Juno Lighting Group. Halo is a registered trademark of Cooper Lighting. Due to our continued efforts to improve our products, product specifications are subject to change without notice.

### Ordering Guide



**OR1013-BK**  
ORION black track fixture, 12V.



**OR1013-BN**  
ORION brushed nickel track fixture, 12V.



**OR1013-WH**  
ORION white track fixture, 12V.