



**ALUMINUM  
FLUORO BAR SYSTEM**  
T5 FLUORESCENT 3-WIRE  
UNDERCABINET LIGHTING  
ALFT5-14-3200-3



PROJECT
FIXTURE TYPE
MODEL
LAMP
CONTACT/TELEPHONE

**Specifications**

**Description**  
Durable extruded aluminum fixture with Polycarbonate(PC) linear ribbed lens, in white enamel body only. ALFT5-14-3200-3 comes with an on/off switch and is complete with mounting hardware and a link connector.

- Lamp Wattage / Type**
- T5 Replaceable Triphosphor Fluorescent lamp
  - 14 Watts
  - CRI: 82+
  - Colour temperature: 3200K (Warm White)
  - Lamps are rated for average 10,000 hrs

- Features**
- Built-in Silent Electronic Ballast
  - Efficient T5 Fluorescent Light Source
  - Flicker free start up
  - Six available lengths
  - Can be hardwired (using ALFT6300)
  - Linkable
  - Light weight
  - Polycarbonate linear ribbed lens

**Housing**  
Durable extruded aluminum fixture with Polycarbonate linear ribbed lens, in white paint enamel body only.

**Mounting**  
Hardware provided for mounting fixture either to standard horizontal surface or to vertical wall surface.

**Ballast:** Built-in Silent Electronic Ballast, AC 120V -50-60 Hz

**Dimmable:** Not Dimmable

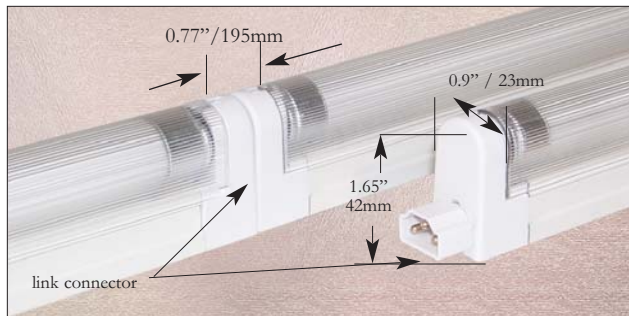
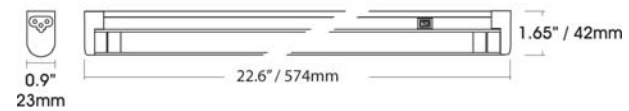
- Optional Accessories**
- ALFT6300-WH - Hardwire Box
  - Flexible wire connectors, available in various lengths
  - FBT6106-WH-3 - 6" Connector Cable
  - FBT6100-WH-3 - 12" Connector Cable
  - FBT6124-WH-3 - 24" Connector Cable
  - FBT6136-WH-3 - 36" Connector Cable
  - Replacement lamp - T5-14W32
  - 6-ft. 90° power cords
  - ALFT60901-WH-3
  - ALFT60902-WH-3
  - ALFT60903-WH-3
  - ALFT60904-WH-3
  - 6-in 90° flexible connectors
  - ALFT90-WH-3
  - ALFT901-WH-3
  - ALFT902-WH-3
  - ALFT903-WH-3
  - Power cords
  - ALFT6000-WH-3 - 6-ft power cord
  - ALFT6000S-WH-3 - 6-ft power cord with switch
  - ALFT6200-3 - Rocker switch for power cords



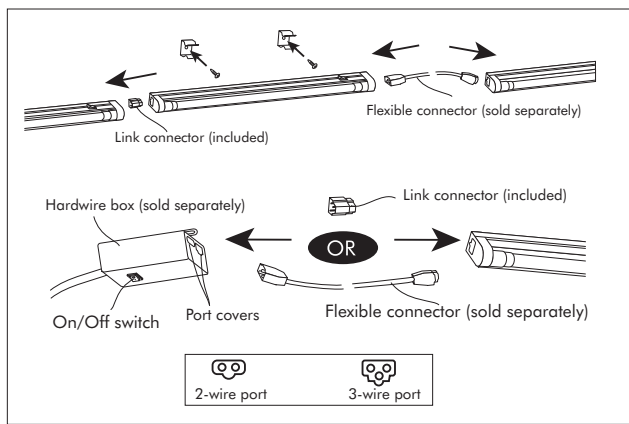
**Dimensions & Ordering Guide**

MODEL NO.	Lumens
ALFT5-14-3200-3	910

**Dimensions**



Linkable with a link connector



**Linkable**

**T5 Linkable Fluorescent Fixtures**

Up to 8 units can be linked together, not to exceed 150W max.



With Ordering Guide, replace 4100K with 3200K where necessary. e.g. For 3200K, (ALFT5-6-3200)

**Product specifications subject to change without notice.**

**LITELINE CORPORATION**  
8 Abacus Road, Brampton, Ontario, Canada L6T 5B7  
Tel: 416-996-1856 • Fax: 905-794-1990 / 1-888-738-9736  
E-mail: sales@liteline.com • Website: liteline.com