



**TRACK LIGHTING
POWER FEED**
LIVE END CONDUIT FEED

CA6106



PROJECT
FIXTURE TYPE
MODEL
LAMP
CONTACT/TELEPHONE

Specifications

Description

Track Lighting accessory - Easy to install Track Live End Conduit Connector. For use with surface mounted conduit feed. Available in four colours: Black, White, Brushed Brass and Brushed Nickel.

Features

- Low profile aesthetic design
- Solid 12-gauge conductors

Electrical

System Electrical Rating: 20A, 120V, 60Hz

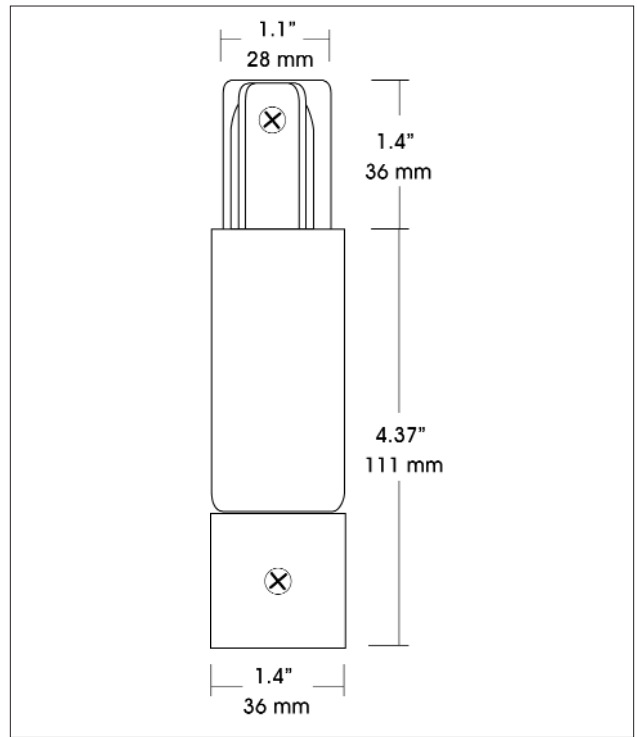
Dimensions & Ordering Guide

Model

- CA6106-BK
- CA6106-WH
- CA6106-BB
- CA6106-BN

Colour

- Black
- White
- Brushed Brass
- Brushed Nickel



All dimensions are in inches/ millimeters

Listings



LITELINE CORPORATION

8 Abacus Road, Brampton, Ontario, Canada L6T 5B7
Tel: 416-996-1856 • Fax: 905-794-1990 / 1-888-738-9736
E-mail: sales@liteline.com • Website: www.liteline.com

Product specifications subject to change without notice.