



**APOLLO
SINGLE HEAD
FLUSHMOUNT LIGHT**
Low Voltage 12V

A01012-S-BK
A01012-S-WH



PROJECT
FIXTURE TYPE
MODEL
LAMP
CONTACT/TELEPHONE

Specifications

Description

APOLLO low voltage Single Head Flushmount Ceiling Light with MR16 light source provides directional light for specific aiming and assures a secure lock on the angle position. Available in two colours: Black and White.

Lamp Wattage / Type

- Covered MR16, 12V.,50 Watt max.
- See catalogue for ordering information



Features

- Die cast aluminum provides superior strength and rigidity
- Low profile, aesthetic design
- Clear glass bulb shield included with fixture
- High strength stainless steel electrical contacts

Housing

- Die cast metal/plastic construction
- Dual angle tightening knobs to secure angle position.
- Lead wires are completely concealed within the stem

All edges are softened for aesthetic appearance.

Transformer

Solid state electronic transformers provide noise-free voltage reduction and operation. 50W max

Dimming

Use electronic low voltage rated dimming controls only. 120V/60Hz Input; 12V Output

Wiring

Coated wire lead connects socket and housing to electrical contact head. Protective coating prevents heat degradation from lamp and housing.

Socket

Porcelain socket for 12V MR16 lamp

Listings



LITELINE CORPORATION

8 Abacus Road, Brampton, Ontario, Canada L6T 5B7
Tel: 416-996-1856 • Fax: 905-794-1990 / 1-888-738-9736
E-mail: sales@liteline.com • Website: www.liteline.com

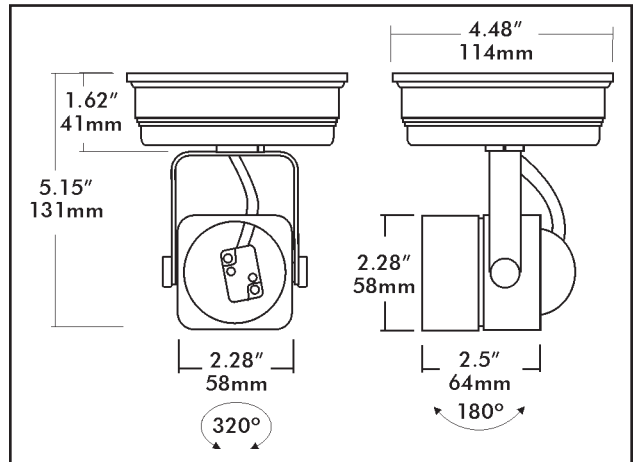
Dimensions & Ordering Guide

Model

A01012-S-BK
A01012-S-WH

Colour

Black
White



All dimensions are in inches / millimeters

Finishes

Black or White enamel paint.

Product specifications subject to change without notice.