

CL-315X

Three-Light Xeno Bar system
Cabinet, Cove & Display

| Job Information | | |
|-----------------|--|------|
| Project Name | | Type |
| Location | | |
| Quantity | | Date |
| Contact/Phone | | |
| Notes | | |

Features

Light System

This low voltage fixture uses three 20W Xenon G4 lamps to provide ample lighting to undercabinet applications. The 0.025" solid steel construction provides for efficient heat dissipation. Face and oval lens provides a clean aesthetic design and appearance. Glare is reduced with the oval frosted lens.

Mounting

Each fixture can be surface mounted using the included mounting hardware.

Kit Includes

- One three-light Xeno bar.
- 6' power cord.
- Link connector.
- Mounting hardware.

Electrical System

Power switch provides two different light levels. This fixture may be connected to a hardwire box (ALFT6300-WH – sold separately) using a flexible wire connector (FBT61xx-WH – sold separately).

Labels

cULus listed.

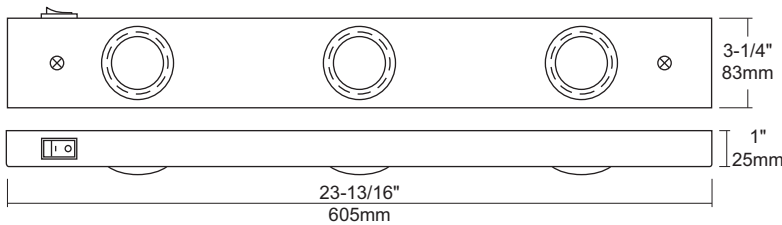
Linkability

Up to five fixtures can be connected in-line to power source. These fixtures may be linked using 12" flexible wire connector (CLT6100-WH – sold separately), or a link connector (included).



Description

This Xenon light bar provides ample lighting for task or undercabinet lighting applications. An on-body switch to control light level, this fixture may provide various levels of light control.






Notes: Accessories should be ordered separately. For additional options please consult your Liteline representative. Due to our continued efforts to improve our products, product specifications are subject to change without notice.

Ordering Guide

-  **CL-315X-BK**
Black three-light Xeno Bar system.
-  **CL-315X-BN**
Brushed Nickel three-light Xeno Bar system.
-  **CL-315X-CH**
Chrome three-light Xeno Bar system.
-  **CL-315X-GL**
Gold three-light Xeno Bar system.
-  **CL-315X-WH**
White three-light Xeno Bar system.

Accessories

-  **ALFT6300-WH**
Hardwire box with on/off switch.
-  **FBT61xx-WH**
Flexible wire connector to join Xeno Bars to hardwire box (ALFT6300-WH)
00 : 12" flexible wire connector.
06 : 6" flexible wire connector.
24 : 24" flexible wire connector.
36 : 36" flexible wire connector.
-  **CLT6100-WH**
12" Flexible wire connector to join together Xeno Bars.