



# AutoGuard® Motion Tracker 300W

GMSA300



PROJECT
FIXTURE TYPE
MODEL
LAMP
CONTACT/TELEPHONE

## Specifications

### Description

GMSA300 is a 300W 2-mode motion tracker light. This wall mounted fixture is weather resistant. The AutoGuard® Motion Tracker is complete with a wireless alarm, a halogen lamp and mounting hardware. Available in black and white.

### Motion Sensor Features

- 220° combined motion sensing in 3 zones:
  - \* Zone 1: 60 degrees;
  - \* Zone 2: 100 degrees;
  - \* Zone 3: 60 degrees.
- 10m sensor range.
- Passive infrared (PIR) based detection.

### Fixture Features

- Fixture operating temperature: -30°C ~ +50°C / -22°F ~ +122°F.
- Fixture operating humidity: 15%~85% relative humidity.

### Operation Mode

- 2-mode operation.
- Energy-Saving mode: heat/motion detection, alarm and light works at night.
- 24HR mode: heat/motion detection, alarm and light works all day (24 hours).

### Lamp

- Double ended 118mm linear halogen lamp, 300W max.

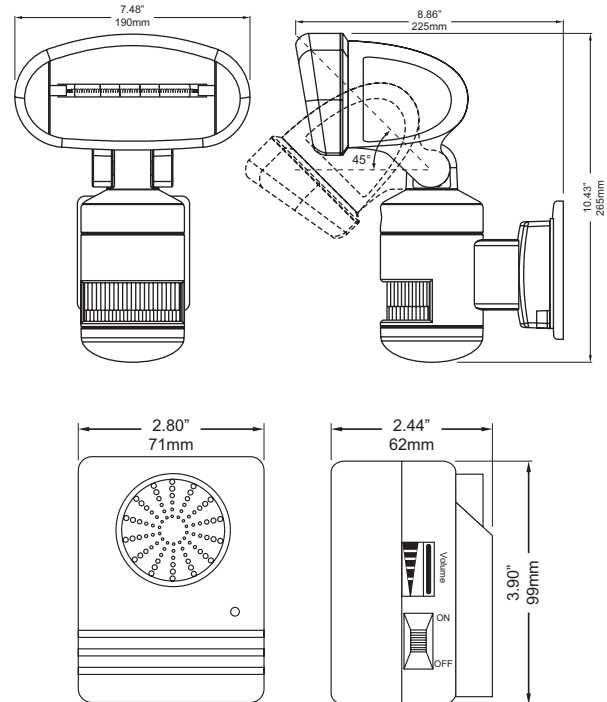
### Wireless Alarm Features

- RF indoor DC alarm receiver.
- Low battery indicator.
- Volume control, max. 85 dB.
- On/Off switch.
- 2 x AA alkaline batteries.

### Listings



## Dimensions & Ordering Guide



## LITELINE CORPORATION

8 Abacus Road, Brampton, Ontario, Canada L6T 5B7  
 Tel: 416-996-1856 • Fax: 905-794-1990 / 1-888-738-9736  
 E-mail: sales@liteline.com • Website: www.liteline.com

Product specifications subject to change without notice.