



AutoGuard® Motion Tracker with Camera 300W

GMSCR300



PROJECT
FIXTURE TYPE
MODEL
LAMP
CONTACT/TELEPHONE

Specifications

Description

GMSCR300 is a 300W 2-mode motion tracker light with a camera. This wall mounted fixture is weather resistant. The AutoGuard® Motion Tracker with Camera is complete with a 4-channel wireless receiver, USB cable, video cable, installation CD, a halogen lamp and mounting hardware. Available in black and white.

Motion Sensor Features

- 220° combined motion sensing in 3 zones:
 - * Zone 1: 60 degrees;
 - * Zone 2: 100 degrees;
 - * Zone 3: 60 degrees.
- 10m sensor range.
- Passive infrared (PIR) based detection.

Operation Mode

- 2-mode operation.
- Energy-Saving mode: heat/motion detection and camera works all day, light works at night.
- 24HR mode: heat/motion detection, camera and light works all day (24 hours).

Lamp

- Double ended 118mm linear halogen lamp, 300W max.

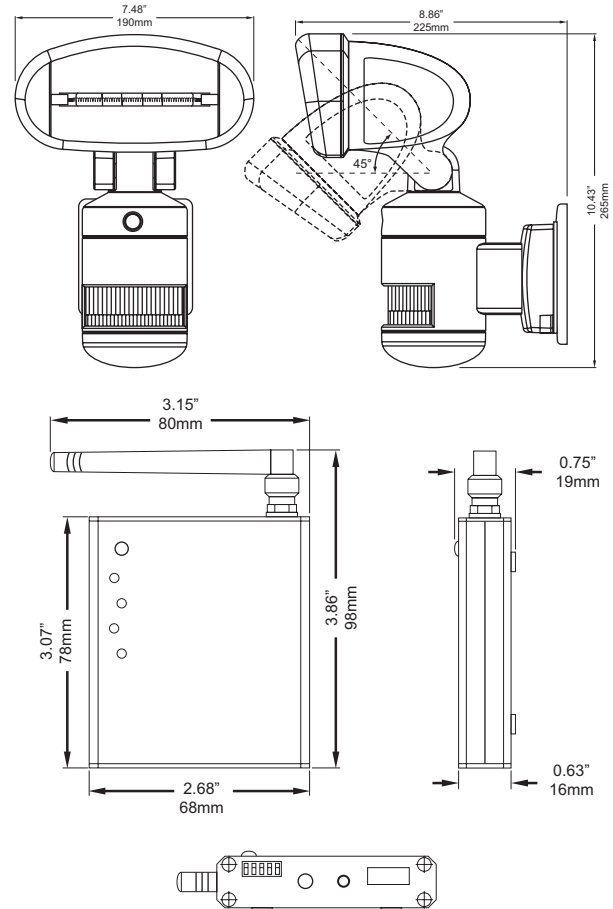
Camera (Wireless)

- Transmission frequency: ISM 2,400MHz ~ 2,468MHz.
- Unobstructed signal range: 100m (330 ft.) approx.
- Color CMOS image sensor.
- 60 degree viewing angle.
- Operating temperature: -30°C ~ +50°C / -22°F ~ +122°F

Wireless Receiver Features

- Monitor up to 4 fixtures from one receiver
- Power supply: 5VDC / 1000mA
- Receiving frequency range: ISM 2,400MHz ~ 2,468MHz
 - * CH1 = 2,414MHz
 - * CH2 = 2,432MHz
 - * CH3 = 2,450MHz
 - * CH4 = 2,468MHz
- Intermediate frequency: 480MHz
- Frequency stabilization: ±100ppm
- Demodulation type: FM
- RF Port Impedance (Antenna): 50 ohm SMA
- Receiving sensitivity: ≤-85 dBm
- Local leakage at RF input terminal: ≤-55 dBm
- Video output signal level: 1.1V +/- 0.2Vpp @ 75 ohm, S/N > 38 dB
- Audio output signal level: 3.5V +/- 1Vpp @ 600 ohm
- Consumption current (max.): 190mA
- USB consumption current: < 400mA

Dimensions & Ordering Guide



- Unobstructed effective range: 100m (330 ft.) approx.
- Pixel resolutions: 352x288 / 352x576 / 720x576
- Frame rate: 10~30 fps
- Fixture operating temperature: -30°C ~ +50°C / -22°F ~ +122°F
- Fixture operating humidity: 15%~85% relative humidity

Listings



LITELINE CORPORATION

8 Abacus Road, Brampton, Ontario, Canada L6T 5B7
 Tel: 416-996-1856 • Fax: 905-794-1990 / 1-888-738-9736
 E-mail: sales@liteline.com • Website: www.liteline.com

Product specifications subject to change without notice.