

# HV4-TH4018

4" Tilting Gimbal Trim  
For PAR20 Lamps

Job Information		
Project Name		Type
Location		
Quantity		Date
Contact/Phone		
Notes		

## Features

### Trim

Constructed of powder-coated steel with a super low profile. Finished with various colours to meet any design requirement. Lamp is rear loaded.

### Aiming Adjustment

The trim includes a tilting center (lamp holder) that adjusts up to 35° and maintains the set angle, providing a wide range of accent and task applications.

### Mounting

Two stainless steel torsion clips provide enhanced rigidity within the housing.

### Lamps

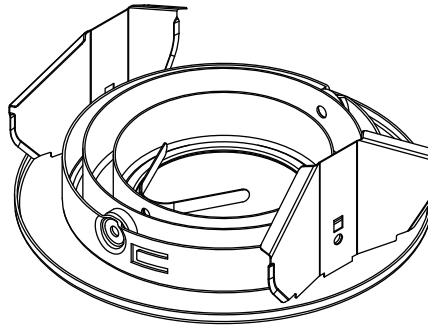
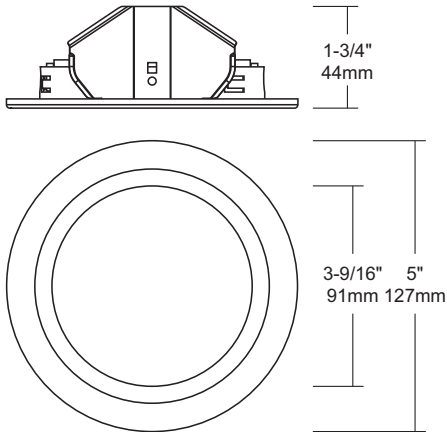
- 120V PAR20, 50W max.



## Description

The HV4-TH4018R is a powder-coated steel round gimbal trim. Simply designed to allow a clean look while still being functionally adjustable. The adjustable aiming capability (35° from vertical) provides versatility for a wide range of accent and task applications.

**Notes:** For additional options please consult your Liteline representative. Due to our continued efforts to improve our products, product specifications are subject to change without notice.



## Ordering Guide



**HV4-TH4018-AB**  
4" Antique Brass tilting gimbal trim.



**HV4-TH4018-WH**  
4" White tilting gimbal trim.



**HV4-TH4018-BB**  
4" Brushed Brass tilting gimbal trim.



**HV4-TH4018-BK**  
4" Black tilting gimbal trim.



**HV4-TH4018-BN**  
4" Brushed Nickel tilting gimbal trim.



**HV4-TH4018-FWH**  
4" Matte White tilting gimbal trim.



**HV4-TH4018-TP**  
4" Taupe tilting gimbal trim.