

OR1013

ORION Low Voltage Track Fixture
Track Systems

Job Information		
Project Name		Type
Location		
Quantity		Date
Contact/Phone		
Notes		

Features

Body

Constructed of die cast aluminum which provides superior strength and rigidity. Softened edges adds up to the low profile aesthetic design. Serrated sides for easy gripping.

Transformer

Solid state electronic transformers provide noise-free voltage reduction and operation. 120V AC to 12V AC.

Lamping

Porcelain socket for 12V MR16 lamps, 50 watts max. A high temperature glass shield is included, mounted to front of lamp fixture.

Adjustability

Lamp housing is controlled with an adjustable yoke that would provide custom aiming; 330° horizontal rotation and 90° vertical rotation.

Dimming

The track fixture is dimmable when used with electronic low voltage rated dimming controls only. 120V / 60Hz input; 12V output; 50W maximum load.

Compatibility

Liteline track fixtures are compatible with Juno®, Halo® and most brands configured to Halo® track system design.

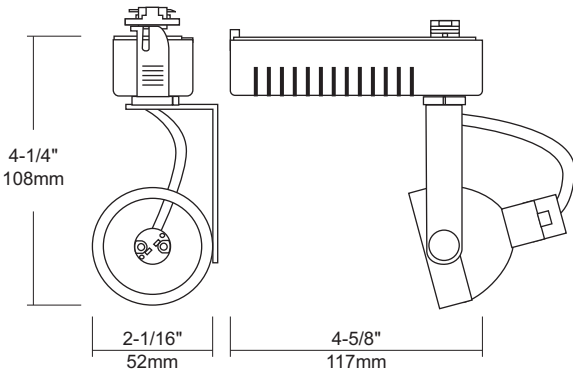
Labels

- cULus listed.

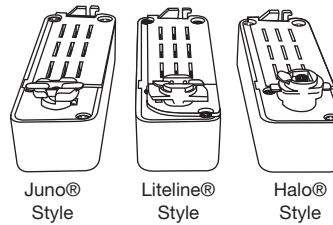


Description

ORION is a low voltage die cast aluminum track fixture for MR16 12V lamps. The ORION features a minimalist design with a contemporary look. It provides directional light source for specific aiming and assures a secure lock on the angle position.



Connector Compatibility Chart



Notes: Accessories should be ordered separately. For additional options please consult your Liteline representative. Juno is a registered trademark of Juno Lighting Group. Halo is a registered trademark of Cooper Lighting. Due to our continued efforts to improve our products, product specifications are subject to change without notice.

Ordering Guide



OR1013-BK
ORION black track fixture, 12V.



OR1013-BN
ORION brushed nickel track fixture, 12V.



OR1013-WH
ORION white track fixture, 12V.