



**TRACK LIGHTING
TRACKS AND
ACCESSORIES**
2 FOOT TRACK
TK6002



PROJECT
FIXTURE TYPE
MODEL
LAMP
CONTACT/TELEPHONE

Specifications

Description

Extruded 2 ft. aluminum track with 20-amp rated flat, solid integral conductors. These tracks can be joined together using any of the track connectors. Available in four colours: Black, White, Brushed Brass and Brushed Nickel.

Features

- Extruded aluminum construction
- Low profile aesthetic design
- Solid 12-gauge conductors
- Polarity groove on ground wire side
- Surface or stem mounted (mounting hardware supplied)
- 20 Amp

Extrusion

0.030 die cast aluminum construction with 0.045 PVC insulators holding 12 gauge flat conductor wiring. Polarity groove is located on face of track to indicate location of grounding conductor.

Electrical

System Electrical Rating: 20A, 120V, 60Hz
Note: Track lighting is a one circuit electrical distribution system designed to supply lighting units in a flexible ways.

Compatibility

Liteline Track system is compatible with all Liteline Track accessories and connectors.

1-Circuit Track

Single circuit track is available for 120V applications. Single hot and neutral conductors are rated for 20 Amps per branch circuit. Copper electrical conductors are concealed in an insulating thermo plastic low profile track cross-section.

Listings



LITELINE CORPORATION

8 Abacus Road, Brampton, Ontario, Canada L6T 5B7
Tel: 416-996-1856 • Fax: 905-794-1990 / 1-888-738-9736
E-mail: sales@liteline.com • Website: www.liteline.com

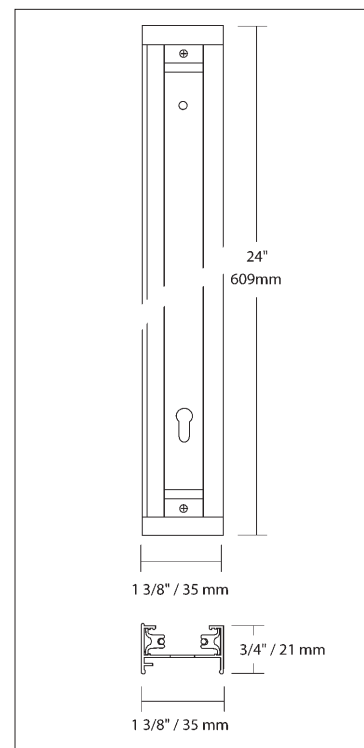
Dimensions & Ordering Guide

Model

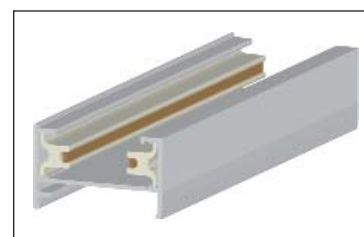
- TK6002-BK
- TK6002-WH
- TK6002-BB
- TK6002-BN

Colour

- Black
- White
- Brushed Brass
- Brushed Nickel



All dimensions are in inches / millimeters



Product specifications subject to change without notice.