



UNI1190

UNIVERSAL Line Voltage Track Fixture for PAR Lamps
Track Systems

| Job Information | | |
|-----------------|--|------|
| Project Name | | Type |
| Location | | |
| Quantity | | Date |
| Contact/Phone | | |
| Notes | | |

Features

Body

Constructed of die cast aluminum which provides superior strength and rigidity. Softened edges adds up to the low profile aesthetic design.

Compatibility

Liteline track fixtures are compatible with Juno®, Halo®, Lightolier® and most brands configured to Halo® track system design.

Lamping

Porcelain socket for 120V PAR lamps, 150 watts max. A high temperature glass shield is included, mounted to front of lamp fixture.

Labels

- cULus listed.

Adjustability

Fixture provides vertical rotation of 180° and horizontal rotation of 358°; providing a wide range of light source aiming possibilities.

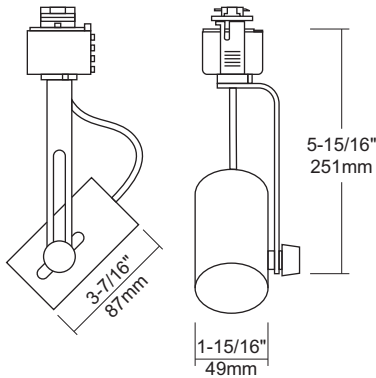
Dimming

The track fixture is dimmable when used with electronic line voltage rated dimming controls only. 120V / 60Hz input; 120V output; 150W maximum load.



Description

The UNIVERSAL is a line voltage aluminum cylinder fixture for PAR light source. UNIVERSAL is a front loading track fixture which provides directional light source for special aiming and assures secure lock on angle position.



Connector Compatibility Chart



Notes: Accessories should be ordered separately. For additional options please consult your Liteline representative. Juno is a registered trademark of Juno Lighting Group. Halo is a registered trademark of Cooper Lighting. Lightolier is a registered trademark of Philips. Due to our continued efforts to improve our products, product specifications are subject to change without notice.

Ordering Guide



UNI1190-BK
UNIVERSAL black track fixture, 120V.



UNI1190-BN
UNIVERSAL brushed nickel track fixture, 120V.



UNI1190-WH
UNIVERSAL white track fixture, 120V.

Liteline Corporation
info@liteline.com
www.liteline.com

8 Abacus Road
Brampton, Ontario
Canada L6T 5B7

PHONE | TÉLÉPHONE
416-996-1856
1-866-730-7704

FAX | TÉLÉCOPIEUR
905-794-1990
1-888-738-9736

