



50W MR16 Halogen Lamp Low Voltage Halogen Lamps

PROJECT
FIXTURE TYPE
MODEL
LAMP
CONTACT/TELEPHONE

Product No. *LMP16EXN50-BX*

Description

An MR16 multi-faceted reflectorized "low profile" low voltage halogen lamp, provides a crisp, white light. For use with fixtures equipped with a cover lens.

General Characteristics

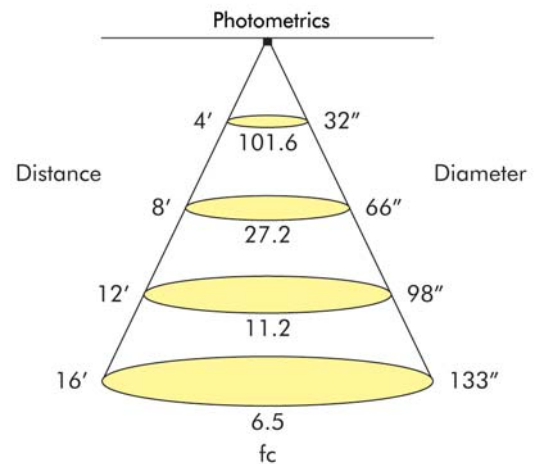
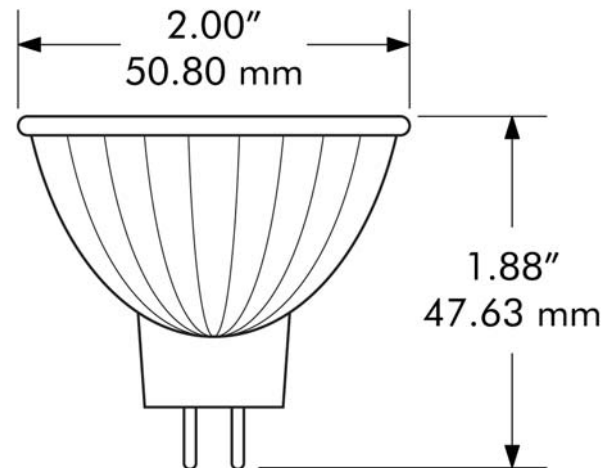
Lamp Type	<i>Low Voltage Halogen</i>
Bulb Size	<i>MR16</i>
Base	<i>Bi-Pin GU5.3</i>
Wattage	<i>50W</i>
Voltage	<i>12V AC</i>
Frequency	<i>50Hz</i>
Current	<i>396mA</i>
Rated Life	<i>3,000 hours</i>
Minimum Operating Temperature	<i>NA</i>
Reflector	<i>Dichroic</i>
Ballast	<i>Not Required</i>
Transformer	<i>Required</i>
Cover	<i>No Cover</i>

Operating Characteristics

Approx. Initial Lumens	<i>850</i>
Approx. Mean Lumens	<i>700</i>
Colour Temperature	<i>2950K</i>
Colour Rendering Index. (CRI)	<i>99</i>
Beam Spread	<i>35°</i>
Dimmable	<i>Dimmable</i>

Dimensions

Maximum Overall Length (MOL)	<i>1.88" (47.63mm)</i>
Bulb Diameter (DIA)	<i>2.00" (50.80mm)</i>



Caution

- Lamp may shatter and cause injury if broken
- Do not use excessive force when installing lamp.
- Use only on dry location.

Warning

- Risk of Electric Shock
- Turn power off before inspection, installation or removal.

LITELINE CORPORATION

8 Abacus Road, Brampton, Ontario, Canada L6T 5B7
 Tel: 416-996-1856 • Fax: 905-654-8990 / 1-888-738-9736
 Email: sales@liteline.com • Website: www.liteline.com

Product specifications subject to change without notice.