



# 10W Xenon JC Lamp

## Low Voltage Xenon Lamps

PROJECT
FIXTURE TYPE
MODEL
LAMP
CONTACT/TELEPHONE

Product No. *LJCX10-12-2*

### Description

Clear JC style low voltage Xenon lamp, providing a long life, whiter brighter light output and high efficiency lumen maintenance.

### General Characteristics

Lamp Type	<i>Low Voltage Xenon</i>
Bulb Size	<i>T3</i>
Base	<i>Bi-Pin G4</i>
Wattage	<i>10W</i>
Voltage	<i>12V AC</i>
Rated Life	<i>10,000 hours</i>
Transformer	<i>Required (12V AC)</i>

### Operating Characteristics

Approx. Initial Lumens	<i>140</i>
Approx. Mean Lumens	<i>110</i>
Colour Temperature	<i>2950K</i>
Colour Rendering Index. (CRI)	<i>99</i>
Dimmable	<i>Dimmable</i>

### Dimensions

Maximum Overall Length (MOL)	<i>1.25" (31.75mm)</i>
Bulb Diameter (DIA)	<i>0.31" (7.94mm)</i>

### Applications:

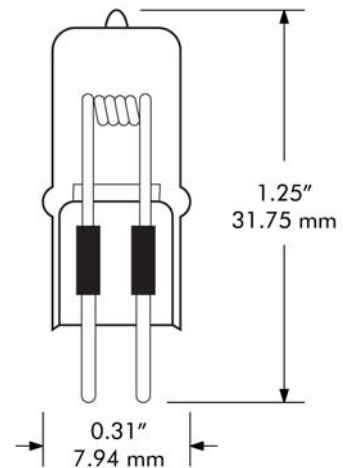
- Show can
- Undercabinet
- Residential

### ⚠ Caution

- Lamp may shatter and cause injury if broken
  - Do not use excessive force when installing lamp.
  - Use only on dry location.
  - Not for use in totally enclosed fixtures.

### ⚠ Warning

- Risk of Electric Shock
  - Turn power off before inspection, installation or removal.



## LITELINE CORPORATION

8 Abacus Road, Brampton, Ontario, Canada L6T 5B7  
 Tel: 416-996-1856 • Fax: 905-794-1990 / 1-888-738-9736  
 Email: sales@liteline.com • Website: www.liteline.com

**Product specifications subject to change without notice.**