

RF402C

4" Line Voltage C-style Remodel Housing

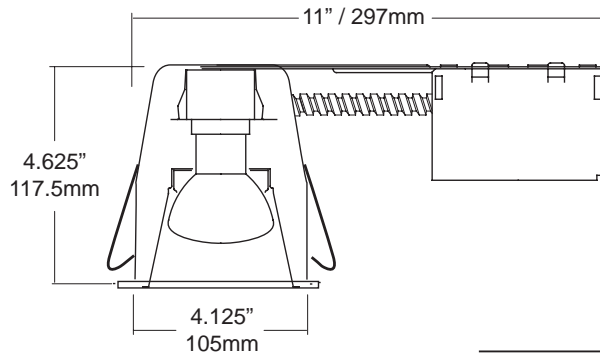
4" Medium base MR16, PAR20, R20 75W Max.

Catalogue # : _____

Project : _____

Type : _____

Comments : _____



Ceiling Cut-out : 4-1/4"

DESCRIPTION

The RF402C is a 4" aperture line voltage housing with screw down "C" style clips for use in remodeling applications to provide accent and task lighting. The RF402C offers a wide choice of trim types including reflector, wall wash and retractable trims.

DESIGN FEATURES

◦ Housing

- Galvanized steel housing.
- 4-5/8" height allows use in 2" x 6" joist construction.
- Housing adjusts for ceilings up to 13/16" thick.

◦ Junction Box

- Listed for through branch circuit wiring. (Max. 8 No. 12 AWG 90°C branch circuit conductors (4 in, 4 out)).
- (9) 7/8" knockouts with true pry-out slots and (4) knockouts with Romex cable clamp.
- Ground wire provided.
- Quick snap-on junction box cover for easy wiring.

◦ Socket

- E26 ceramic socket for medium base MR16, PAR20 or R20 lamps.
- Screw down in to housing for consistent lamp positioning.

◦ Remodel Clips

- 2 screw down "C" style remodel clips secure housing and accommodates 1/2" and 5/8" ceiling materials.

◦ Lamp

- One medium base, 75W Max. MR16, PAR20 or R20 lamp.

◦ Quick Connect push-in terminals

- Three "Quick connect" push-in terminals for fast and easy wiring.

◦ Listing

- cULus listed for damp locations.
- cULus listed for feed through.

Accessories

P-4000



4" New construction premounting plate (not included) - hole cutting size (4.5" / 114.5mm)

WARNING
NOT FOR USE IN
INSULATED CEILINGS



Liteline Corporation

8 Abacus Road, Brampton, ON
L6T 5B7

Tel: 416-996-1856
Fax: 905-794-1990

Email: sales@liteline.com
Website: liteline.com