

# RF405A

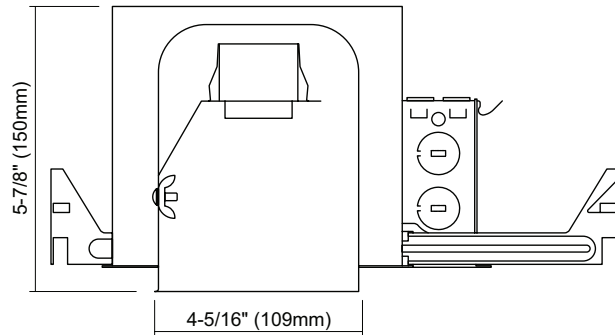
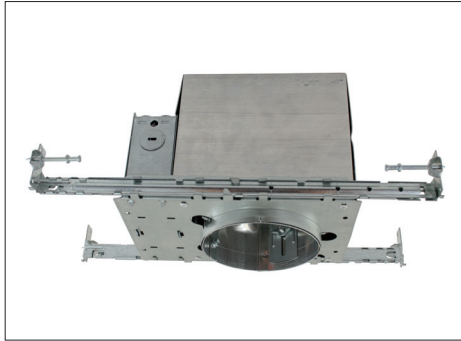
## 4" Line Voltage Adjustable IC Type New Construction AIR-TIGHT Housing

Catalogue # : \_\_\_\_\_

Project : \_\_\_\_\_

Type : \_\_\_\_\_

Comments : \_\_\_\_\_



### DESCRIPTION

Ceiling Cut-out : 4-3/8"

The RF405A is a 4" aperture line voltage housing with adjustable socket for use in new construction applications to provide accent and task lighting. The RF405A is designed for insulated ceilings and can be in direct contact with ceiling insulation. The RF405A offers a wide choice of trim types including reflector, wall wash and retractable trims. This AIR-TIGHT housing design prevents airflow through ceiling for saving heating and air conditioning costs.

### DESIGN FEATURES

#### o Housing

- Double wall aluminum housing.
- 5-7/8" height allows use in 2" x 6" joist construction.
- Housing adjusts for ceilings up to 1-1/4" thick.

#### o Junction Box

- Listed for through branch circuit wiring. (Max. 8 No. 12 AWG 90°C branch circuit conductors (4 in, 4 out)).
- (5) 1/2" knockouts with true pry-out slots and (4) knockouts with Romex cable clamp.
- Ground wire provided.

#### o Mounting Frame

- Galvanized steel construction.
- 8" L x 5-1/2" W.

#### o Hanger bars

- Rigid structure that allows for easy installation without warping or moving.
- Male/Female design, that will slide easily through the channel to ensure smooth installation.
- Break-off feature, allows it to be shortened without tools, for narrower joist spacings.
- Drop down feature allows for easy access to the wiring compartment.
- Pre-installed nail prevents the nail from going on an angle and causing the hanger bars to be repositioned.
- Double headed nail to allow easy removal of housing.
- Foot located right below the nail for perfect height alignment on the joist.
- Integrated T-Bar support clip for suspended ceilings.

#### o Socket

- Ceramic socket for medium base MR16, PAR20 or R20 lamps.
- Snaps into bracket for consistent lamp positioning.
- Adjustable socket height to accommodate various lamp sizes.

#### o Lamp

- One medium base, 50W Max. MR16, PAR20 or R20 lamp.

#### o Thermal Protector

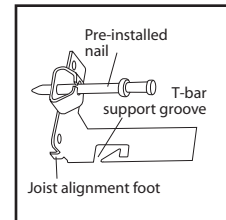
- Self resetting thermal protector in transformer deactivates fixture if overheating occurs due to improper lamping or misapplied insulation.

#### o Push-in wire "Quick Connect"

- Three "Quick connectors" for fast and easy wiring.

#### o Listing

- cULus listed for damp locations.
- cULus listed for feed through.



**Liteline Corporation**  
8 Abacus Road, Brampton, ON  
L6T 5B7

Tel: 416-996-1856  
Fax: 905-794-1990

Email: sales@liteline.com  
Website: liteline.com