

RF401A

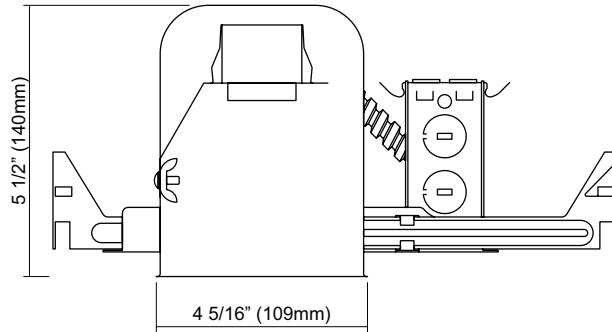
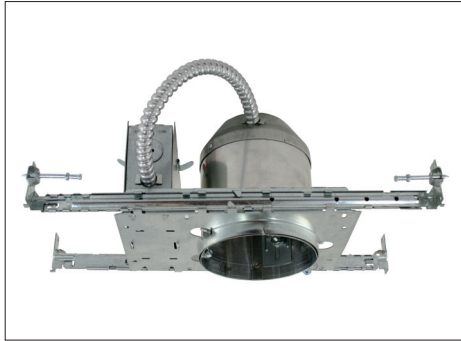
4" Line Voltage New Construction Housing with adjustable socket

Catalogue # : _____

Project : _____

Type : _____

Comments : _____



DESCRIPTION

Ceiling Cut-out : 4-3/8"

The RF401A is a 4" aperture line voltage housing with adjustable socket for use in new construction applications to provide accent and task lighting. The RF401A offers a wide choice of trim types including reflector, wall wash and retractable trims.

DESIGN FEATURES

o Housing

- Single wall aluminum housing.
- 5-1/2" height allows use in 2" x 6" joist construction.
- Housing adjusts for ceilings up to 1-1/4" thick.

o Junction Box

- Listed for through branch circuit wiring. (Max. 8 No. 12 AWG 90°C branch circuit conductors (4 in, 4 out)).
- (5) 1/2" knockouts with true pry-out slots and (4) knockouts with Romex cable clamp.
- Ground wire provided.

o Mounting Frame

- Galvanized steel construction.
- 8" L x 5-1/2" W.

o Hanger bars

- Rigid structure that allows for easy installation without warping or moving.
- Male/Female design, that will slide easily through the channel to ensure smooth installation.
- Break-off feature, allows it to be shortened without tools, for narrower joist spacings.
- Drop down feature allows for easy access to the wiring compartment.
- Pre-installed nail prevents the nail from going on an angle and causing the hanger bars to be repositioned.
- Double headed nail to allow easy removal of housing.
- Foot located right below the nail for perfect height alignment on the joist.
- Integrated T-Bar support clip for suspended ceilings.

o Socket

- Ceramic socket for medium base MR16, PAR20 or R20 lamps.
- Snaps into bracket for consistent lamp positioning.
- Adjustable socket height to accommodate various lamp sizes.

o Lamp

- One medium base, 50W Max. MR16, PAR20 or R20 lamp.

o Thermal Protector

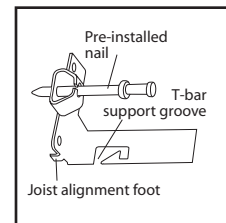
- Self resetting thermal protector in transformer deactivates fixture if overheating occurs due to improper lamping or misapplied insulation.

o Push-in wire "Quick Connect"

- Three "Quick connectors" for fast and easy wiring.

o Listing

- cULus listed for damp locations.
- cULus listed for feed through.



WARNING
NOT FOR USE IN
INSULATED CEILINGS



Liteline Corporation

8 Abacus Road, Brampton, ON
L6T 5B7

Tel: 416-996-1856
Fax: 905-794-1990

Email: sales@liteline.com
Website: liteline.com