

PAR20-50W130VE26FL

50W PAR20, 130V, Flood
Lamps

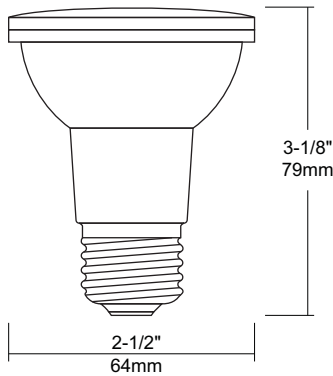
Job Information		
Project Name		Type
Location		
Quantity		Date
Contact/Phone		
Notes		

Features

General Characteristics	
Lamp Type	Halogen Lamp
Bulb Size	PAR20
Base	Medium base (E26)
Wattage (120V / 130V)	44W / 50W
Voltage	130V AC
Rated Life (120V / 130V)	2,000 / 4,000 hours
Minimum Operating Temperature	NA
Reflector	Parabolic Aluminum Reflector

Operating Characteristics	
Approx. Initial Lumens (120V / 130V)	450 / 530
Approx. Mean Lumens (120V / 130V)	450 / 530
Colour Temperature (120V / 130V)	2700K / 2800K
Colour Rendering Index (CRI)	99
Beam Spread	36°
Dimmable	Yes, with incandescent dimmers

Dimensions	
Maximum Overall Length (MOL)	3-1/8" (79mm)
Bulb Diameter (DIA)	2-1/2" (64mm)



Description

PAR20 halogen lamp, produces bright white light, long life (reducing maintenance costs), maximum efficiency for reduced energy consumption and excellent beam qualities for accent or general lighting. Suitable for open luminaires.

Notes: Due to our continued efforts to improve our products, product specifications are subject to change without notice.

Ordering Guide



PAR20-50W130VE26FL
50W PAR20 lamp, 130V, flood.

